

DETAILS

Product Number	C14121_STRADA-SQ-FS2-NP
Family	Strada
Type	Lens
Color	clear
Diameter	25x25 mm
Height	8 mm
Style	square
Optic Material	PMMA
Holder Material	
Fastening	glue, screw
Status	production ready
ROHS Compliant	Yes
Date Updated	8/05/2014



OPTICAL PROPERTIES

LED	Viewing Angle	Light Beam	Efficiency	cd/lm	Connector
MK-R	Asymmetric deg	Streetligh...	84 %	0.400	-
XHP70	asymmetric deg	Streetligh...	80 %	0.400	Undefined Manufacturer: Protective Plate, Glass
LUXEON M/MX	asymmetric deg	Streetligh...	86 %	0.400	-
Duris P10	sim: Asymmetri	Streetligh...	sim: 89 %	sim: 0.550	-

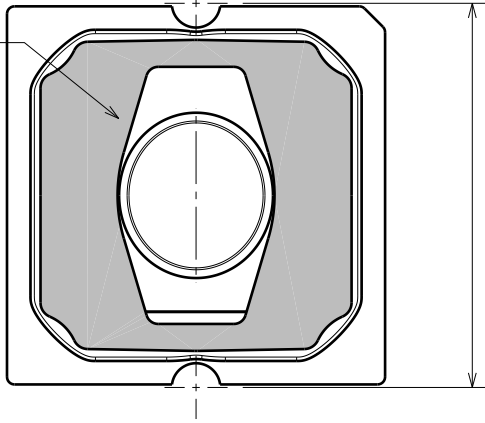
D

C

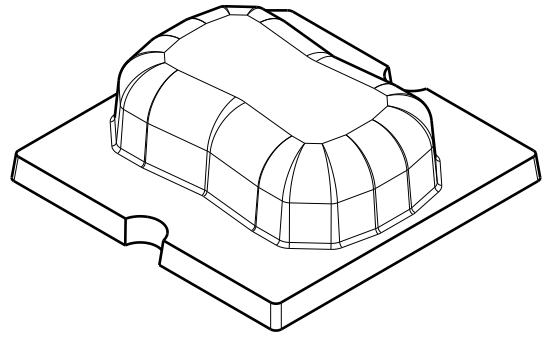
B

A

Tape

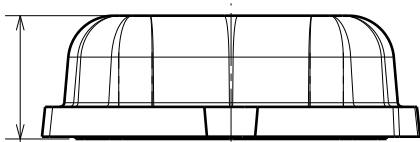


25.4
c / c



Isometric view

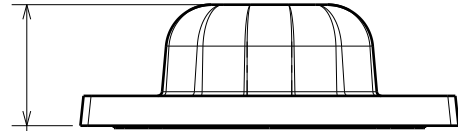
Bottom view



8.15

Front view

with tape

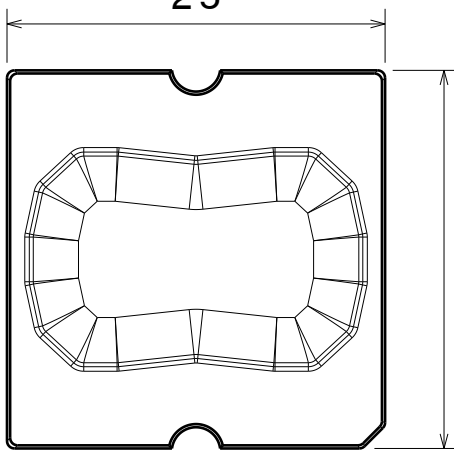


8

Left view

w/o tape

25



25

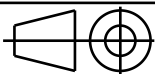
Top view

Tolerances if not otherwise shown
 According to DIN ISO 2768-1
 Linear measures:
 Up to 30mm class M, otherwise class C.
 According to DIN ISO 2768-2
 Form and position: class L

LEDiL

Ledil Oy
 Salorankatu 10
 FIN 24240 SALO
 Finland

THIRD ANGLE PROJECTION:



DRAWING TITLE

Datasheet STRADA-SQ-FS2-NP

This drawing is the property
 of LEDiL Oy. It may not be
 reproduced, copied or
 communicated without a written
 agreement with LEDiL Oy.

SIZE

A4

PART NUMBER

-

SCALE

2:1

WEIGHT

-

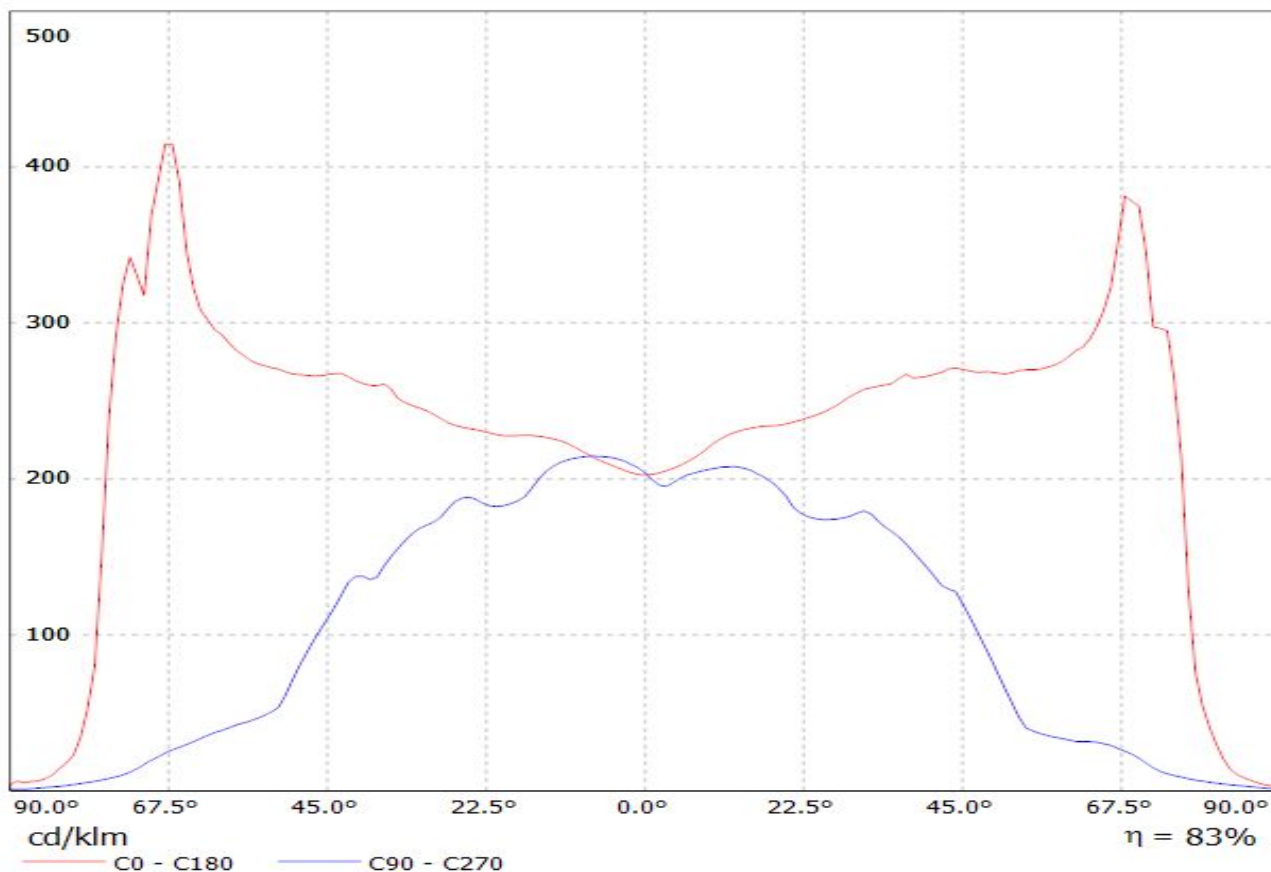
SHEET

1/1

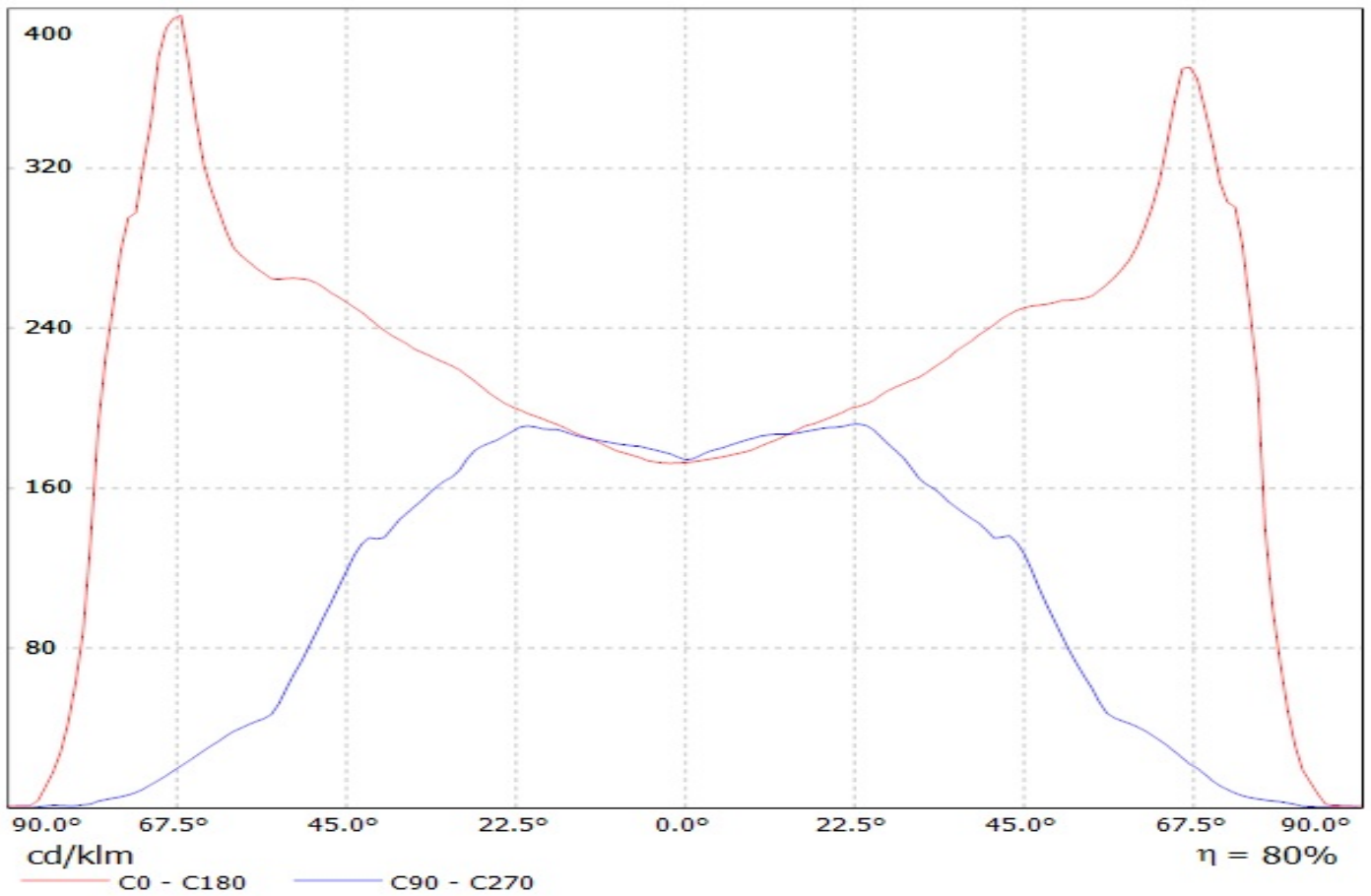
D

A

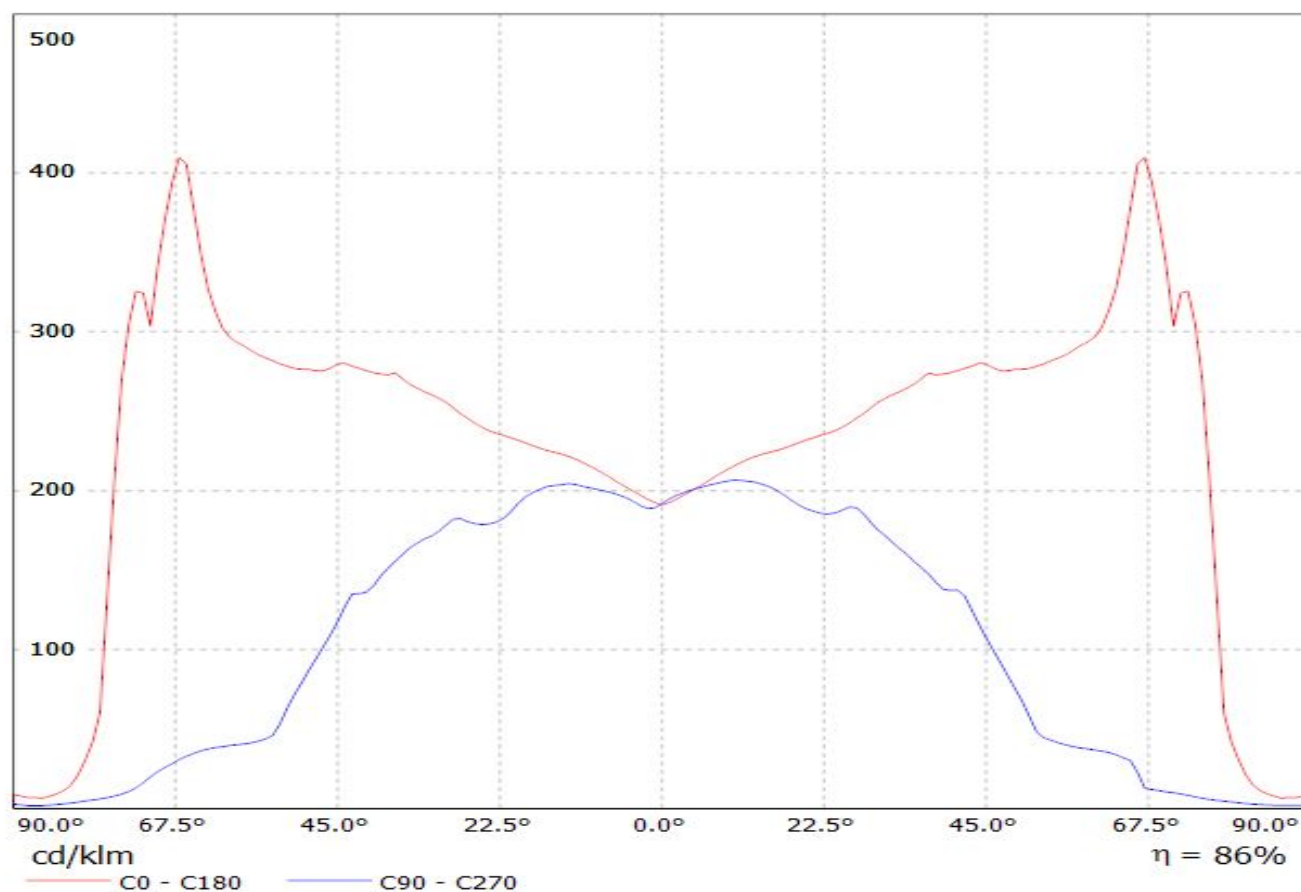
Luminaire: LEDiL Oy C14121_STRADA-SQ-FS2-NP_(MK-R)+glass Eff.83.5%
Lamps: 1 x Cree_MK-R_354.207lm@250mA_CCT=3276K_P=2.84547W_I=249.8mA



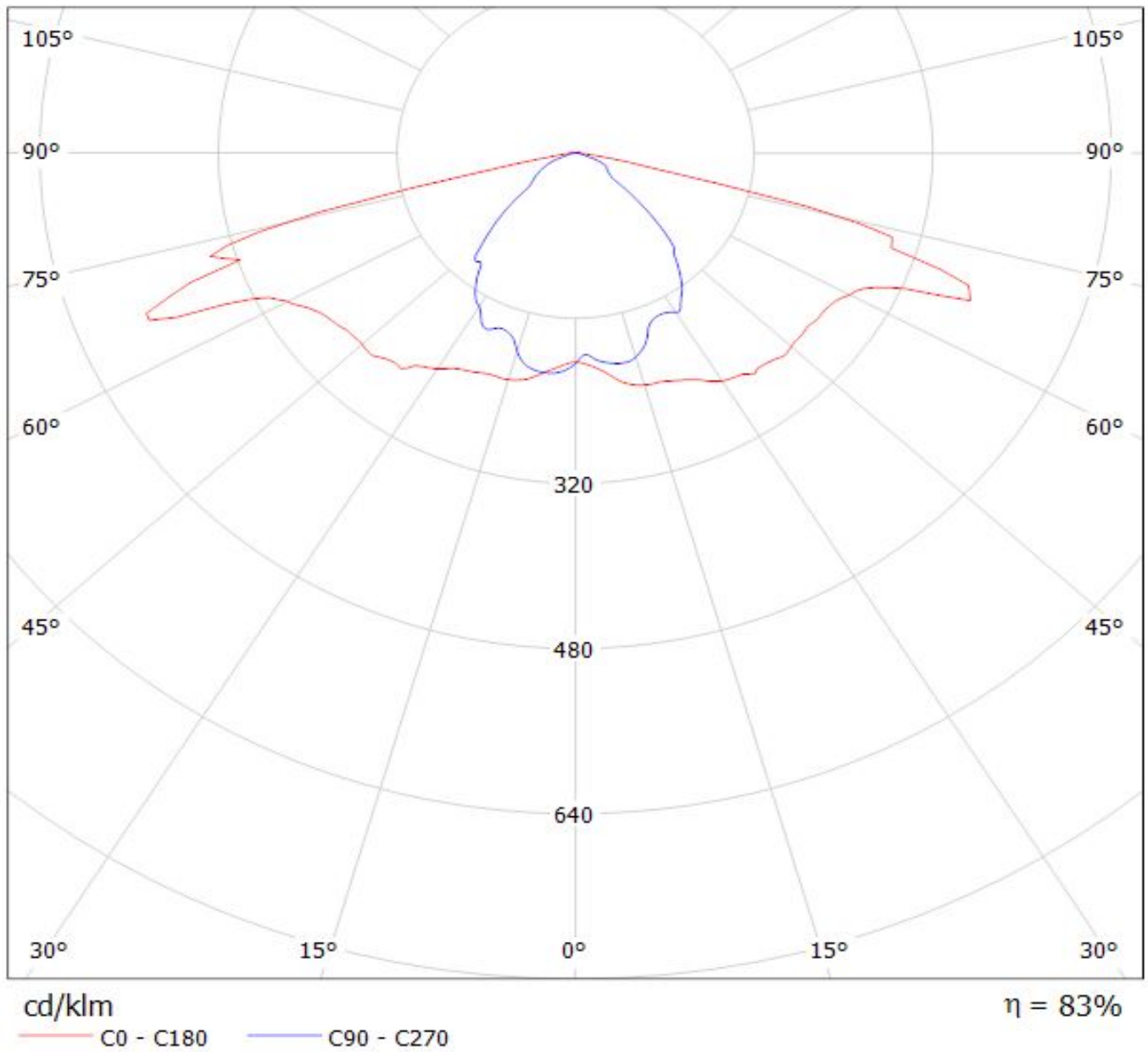
Luminaire: LEDiL Oy C14121_STRADA-SQ-FS2-NP_(XHP70)_glass
Lamps: 1 x Cree_XHP70_glass-chassis_260.488lm@250mA_P=1.38405W_I=0.2499A



Luminaire: LEDiL Oy STRADA-SQ-FS2 & STRADA-SQ-FS2-NP_(LUXEON_M)_glass
Lamps: 1 x LUXEON_M_(LXR7-SW30)_375lm@250mA_P=2.79W_I=249.8mA

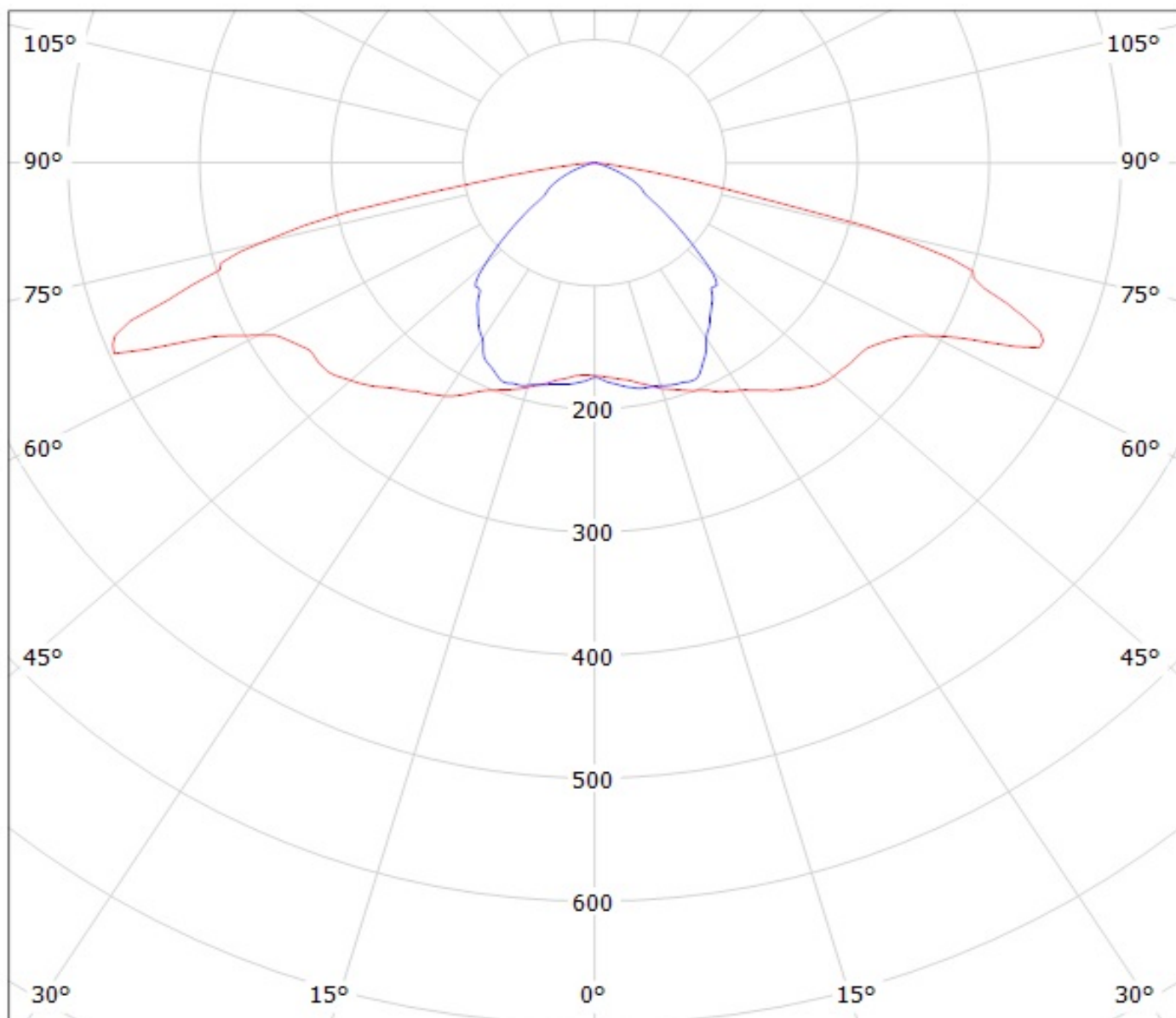


Luminaire: LEDiL Oy C14121_STRADA-SQ-FS2-NP_(MK-R)+glass Eff.83.5%
Lamps: 1 x Cree_MK-R_354.207lm@250mA_CCT=3276K_P=2.84547W_I=249.8mA



Luminaire: LEDiL Oy C14121_STRADA-SQ-FS2-NP_(XHP70)_glass

Lamps: 1 x Cree_XHP70_glass-chassis_260.488lm@250mA_P=1.38405W_I=0.2499A



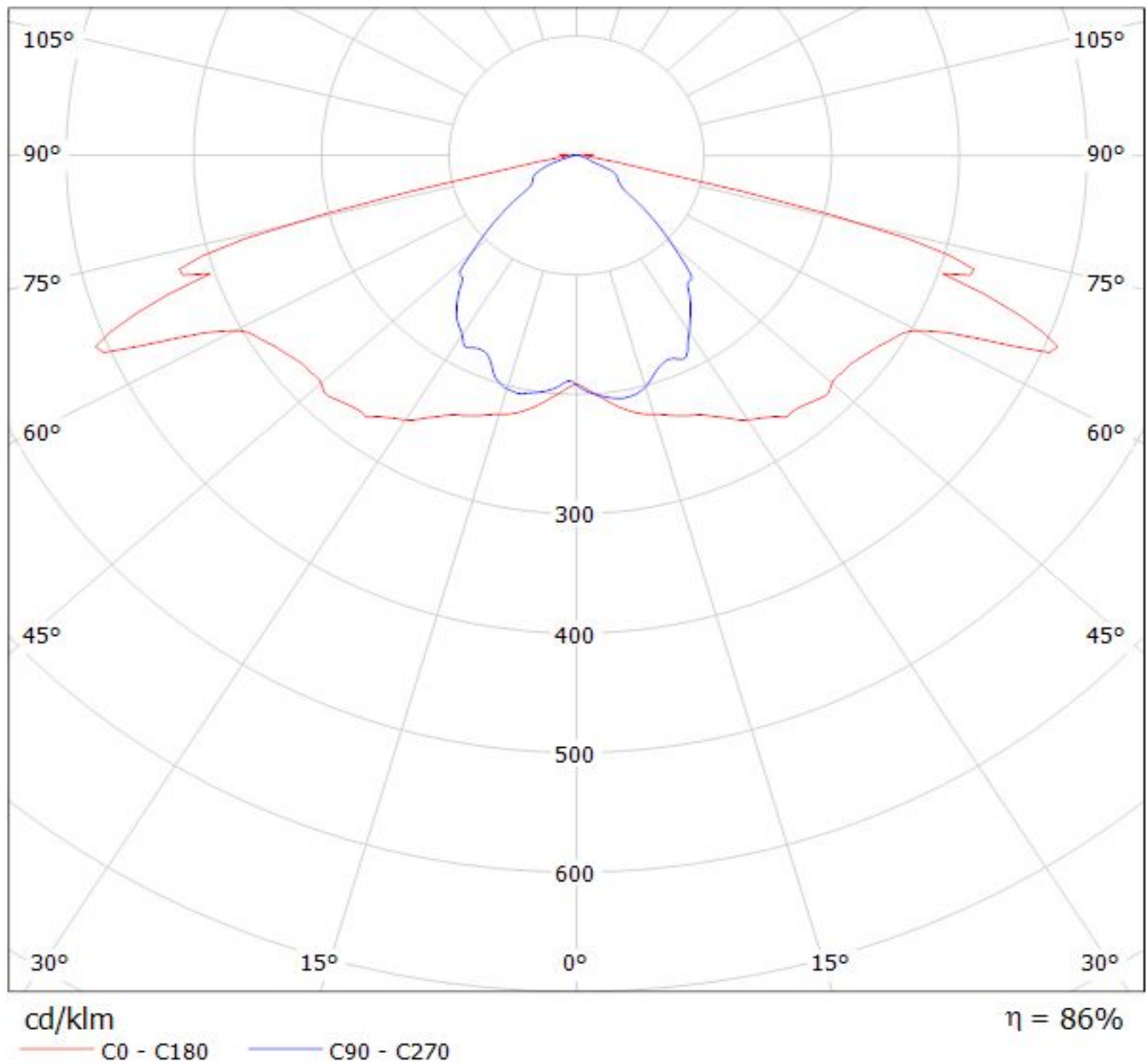
cd/klm

— C0 - C180

— C90 - C270

$\eta = 80\%$

Luminaire: LEDiL Oy STRADA-SQ-FS2 & STRADA-SQ-FS2-NP_(LUXEON_M)_glass
Lamps: 1 x LUXEON_M_(LXR7-SW30)_375lm@250mA_P=2.79W_I=249.8mA



NOTE: The typical divergence will be changed by different color, chip size and chip position tolerance. The typical total divergence is the full angle measured where the luminous intensity is half of the peak value.