

DETAILS

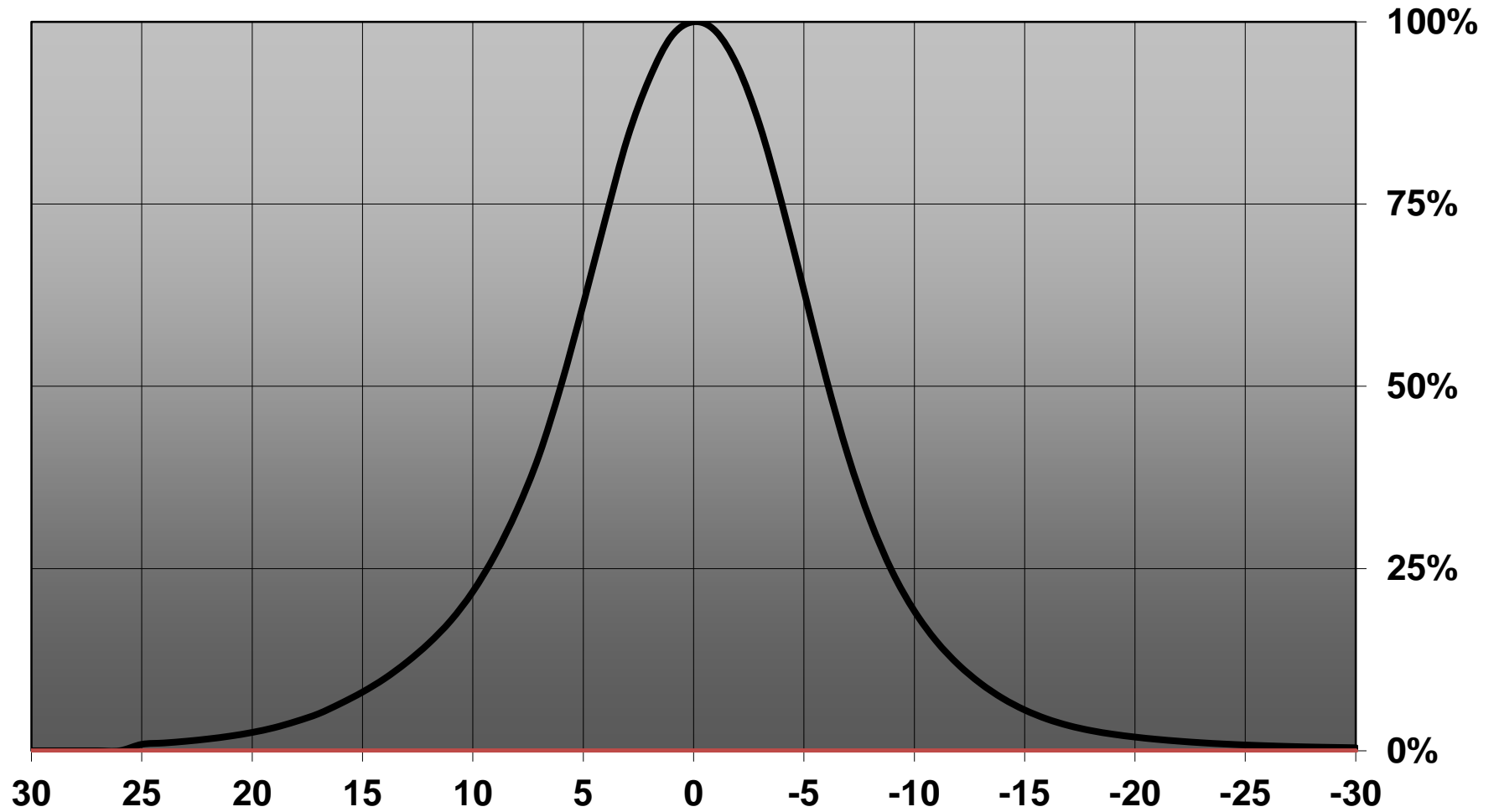
Product Number	CA12374_TINA2-RS
Family	Tina
Type	Assembly
Color	black
Diameter	16 mm
Height	9,5 mm
Style	round
Optic Material	PMMA
Holder Material	
Fastening	tape, pin
Status	production ready
ROHS Compliant	Yes
Date Updated	1/02/2016



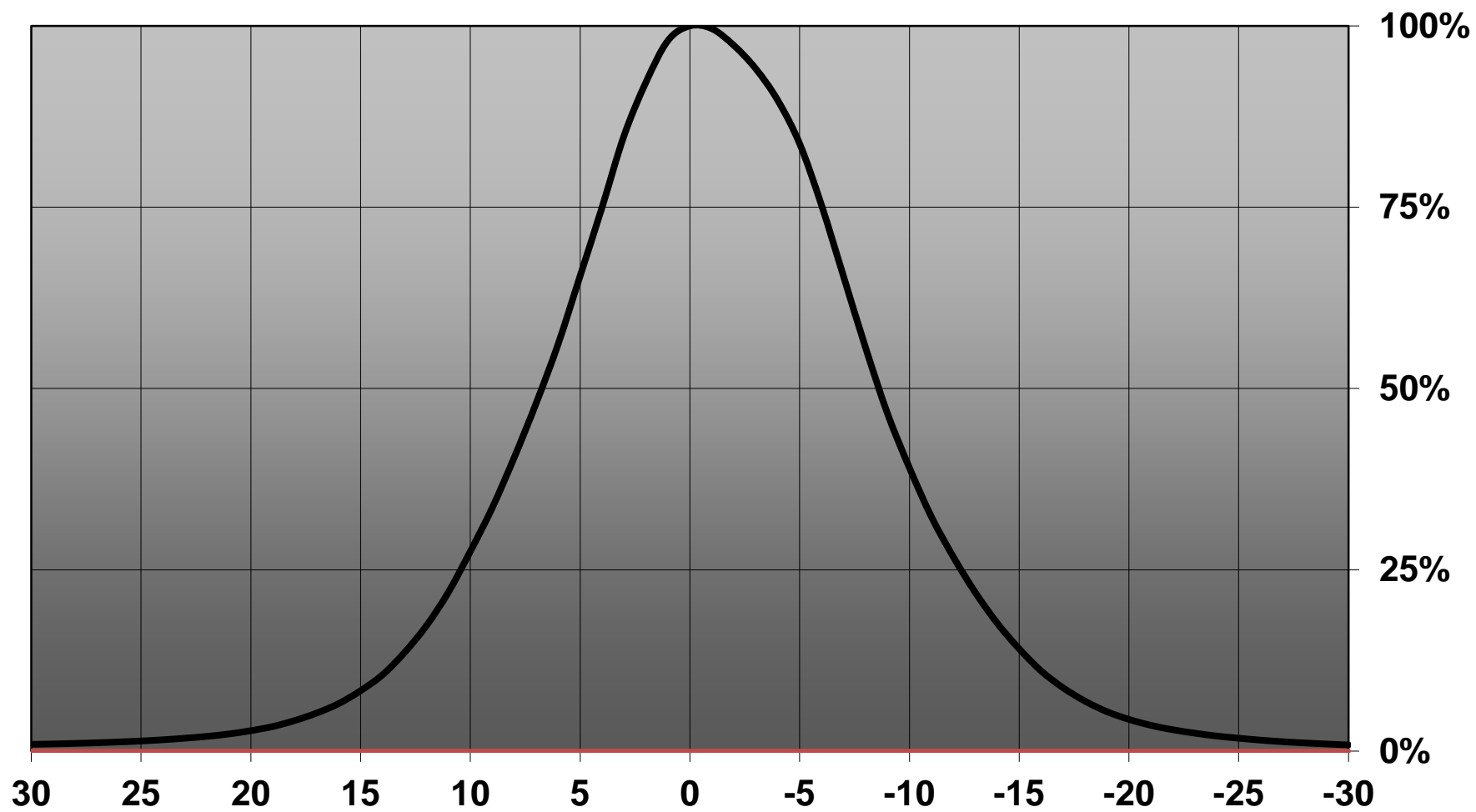
OPTICAL PROPERTIES

LED	Viewing	Light	Effi-		Connector
	Angle	Beam	ciency	cd/lm	
XB-H	17 deg	Real spot	86 %	8.700	-
XQ-E HI	9 deg	Real spot	81 %	25.000	-
LUXEON TX	15 deg	Real spot	89 %	9.860	-
LUXEON C	sim: 11	Real spot	sim: 92 %	sim: 14.000-	
NWSx229A	25 deg	Real spot	86 %	3.600	-
NVSxx19B/NVSxx19C	18 deg	Real spot	88 %	7.000	-
Oslon SSL 80	10 deg	Real spot	88 %	16.000	-
Oslon SSL 150	11 deg	Real spot	90 %	19.500	-
Oslon Square PC	12 deg	Real spot	88 %	9.210	-
SFH 4715S	14 deg	Real spot	-	-	-
Oslon Square EC	13 deg	Real spot	88 %	9.300	-
SFH 4716S	11 deg	Real spot	-	-	-
SFH 4770S	sim: 16	Real spot	sim: 87 %	sim: 9.200	-
Synios P2720 1 mm	sim: 10	Real spot	sim: 92 %	sim: 20.340-	
Synios P2720 1/2 mm	sim: 9	Real spot	sim: 92 %	sim: 24.030-	
Synios P2720 1/4 mm	sim: 8	Real spot	sim: 92 %	sim: 27.470-	
Oslon Black Flat	sim: 8,6	Real spot	sim: 92 %	sim: 32.400-	

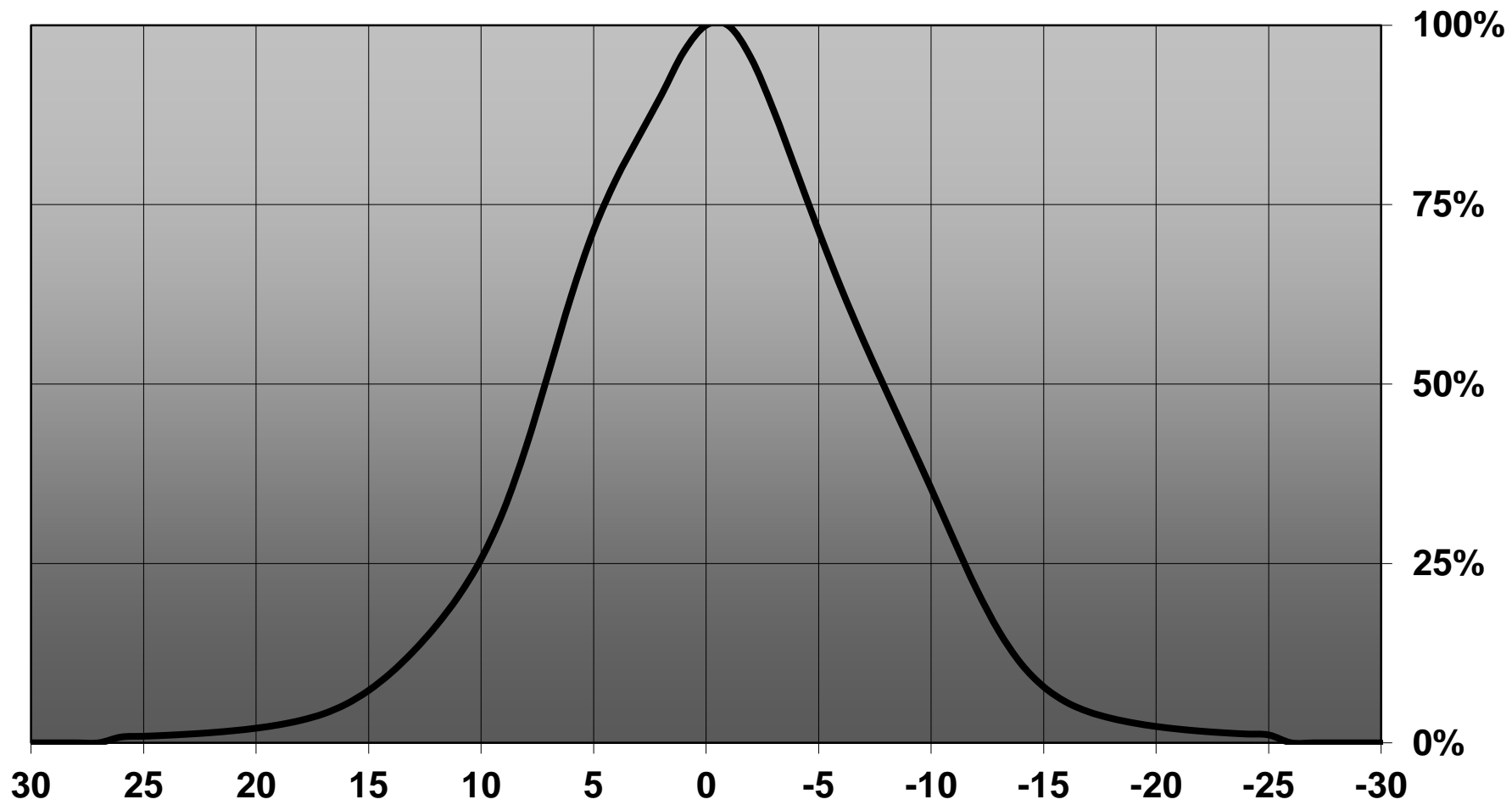
Relative intensity of CA12375_TINA2-D_(Luxeon Z ES)



Relative intensity of CA12375_TINA2-D-SFH4715S



Relative intensity of CA12375_TINA2-D_(SFH4725S)



D

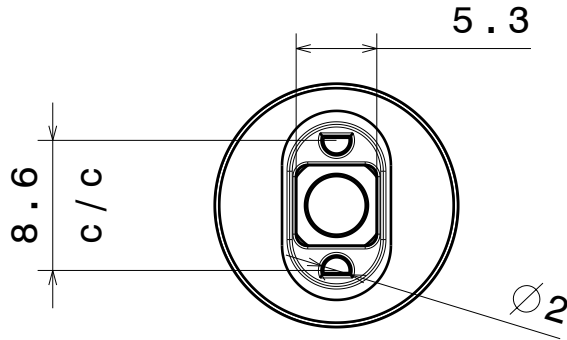
C

B

A

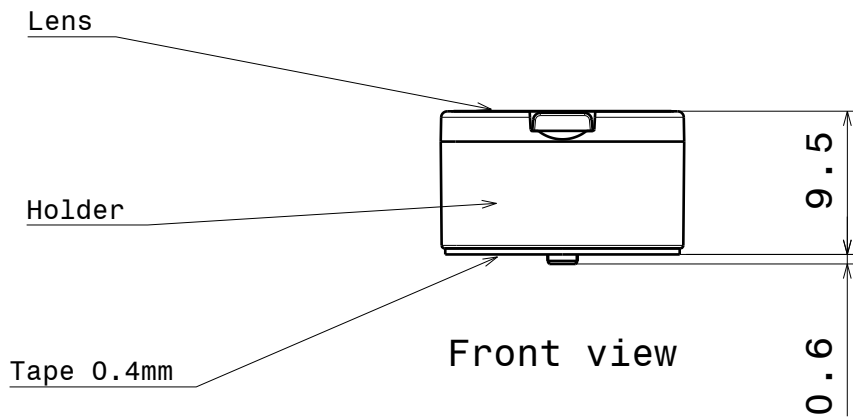
4

4



3

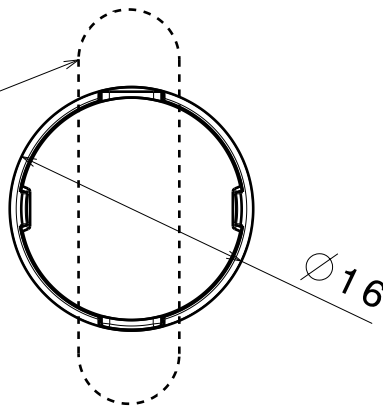
3



2

2

Oval beam direction
(0-90 is turned 90 degree)



MATERIALS
 Lens: PMMA
 Holder: PC
 Tape: PU Foam

This drawing is our property.
 It can't be reproduced
 or communicated without
 our written agreement.



Ledil Oy
 Salorankatu 10
 FIN-24100 SALO
 Finland

DRAWING TITLE

Datasheet Tina2-OSL

DRAWN BY
ah

DATE
28.12.2011

CHECKED BY
sn

DATE
28.12.2011

SIZE
A4

DRAWING NUMBER

REV
1

DESIGNED BY
ol

DATE
xx

SCALE

3:1

WEIGHT (g)

-

SHEET

1/1

D

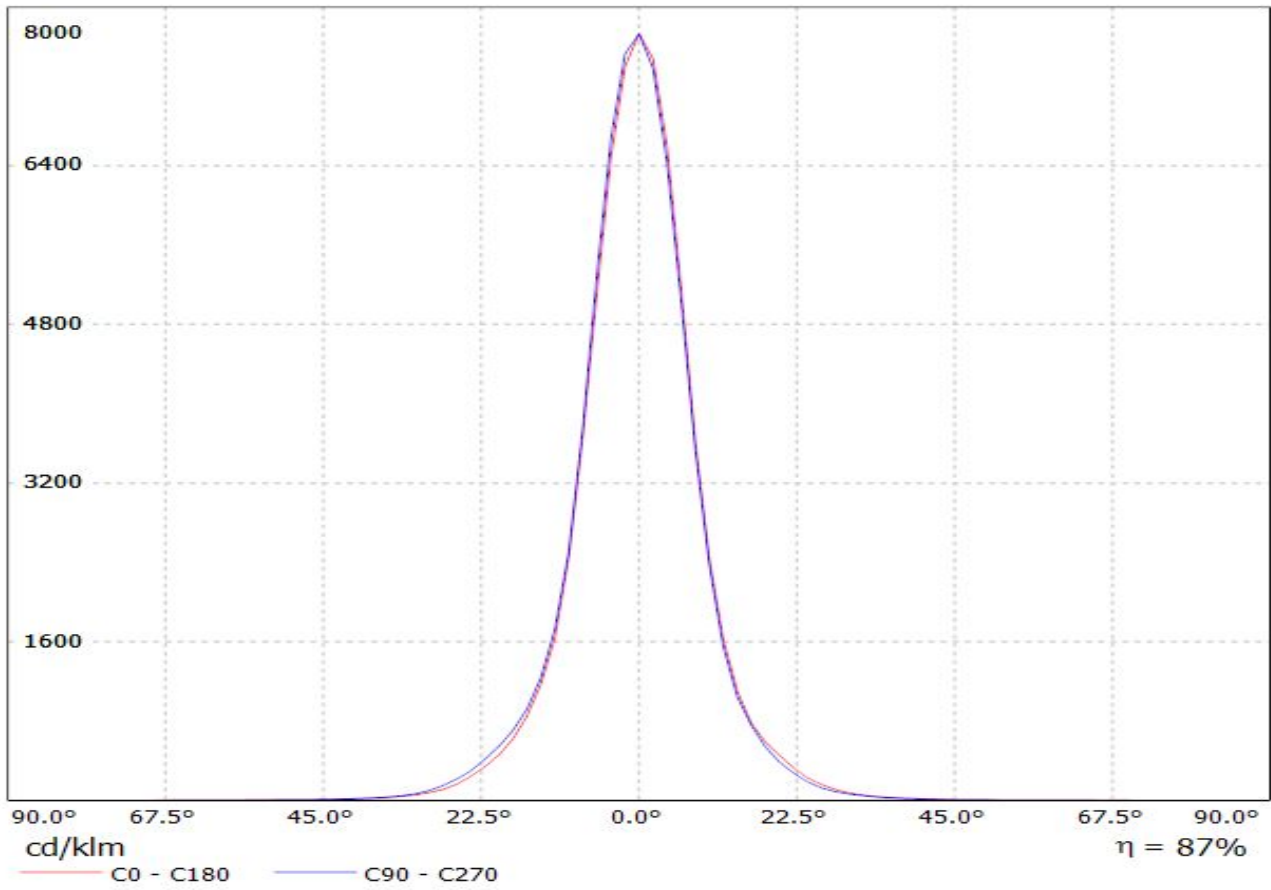
A

1

1

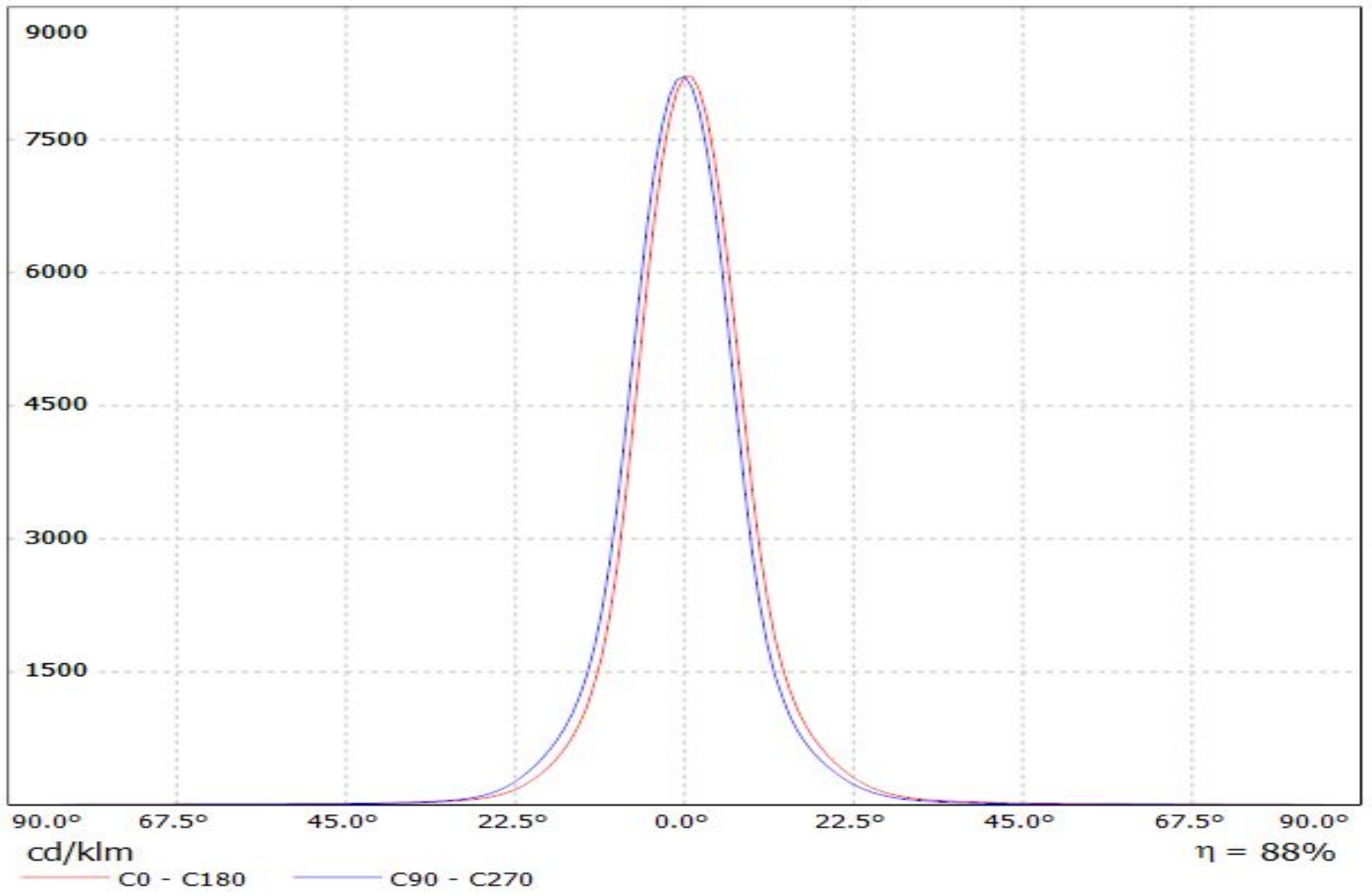
Luminaire: Ledil Oy CA12375_TINA2-D_(XB-H)

Lamps: 1 x Cree XB-H (XBHAWT-0-3C0-T50-0B-0001) 106lm @ 250mA CCT= P=0.73W I=250mA



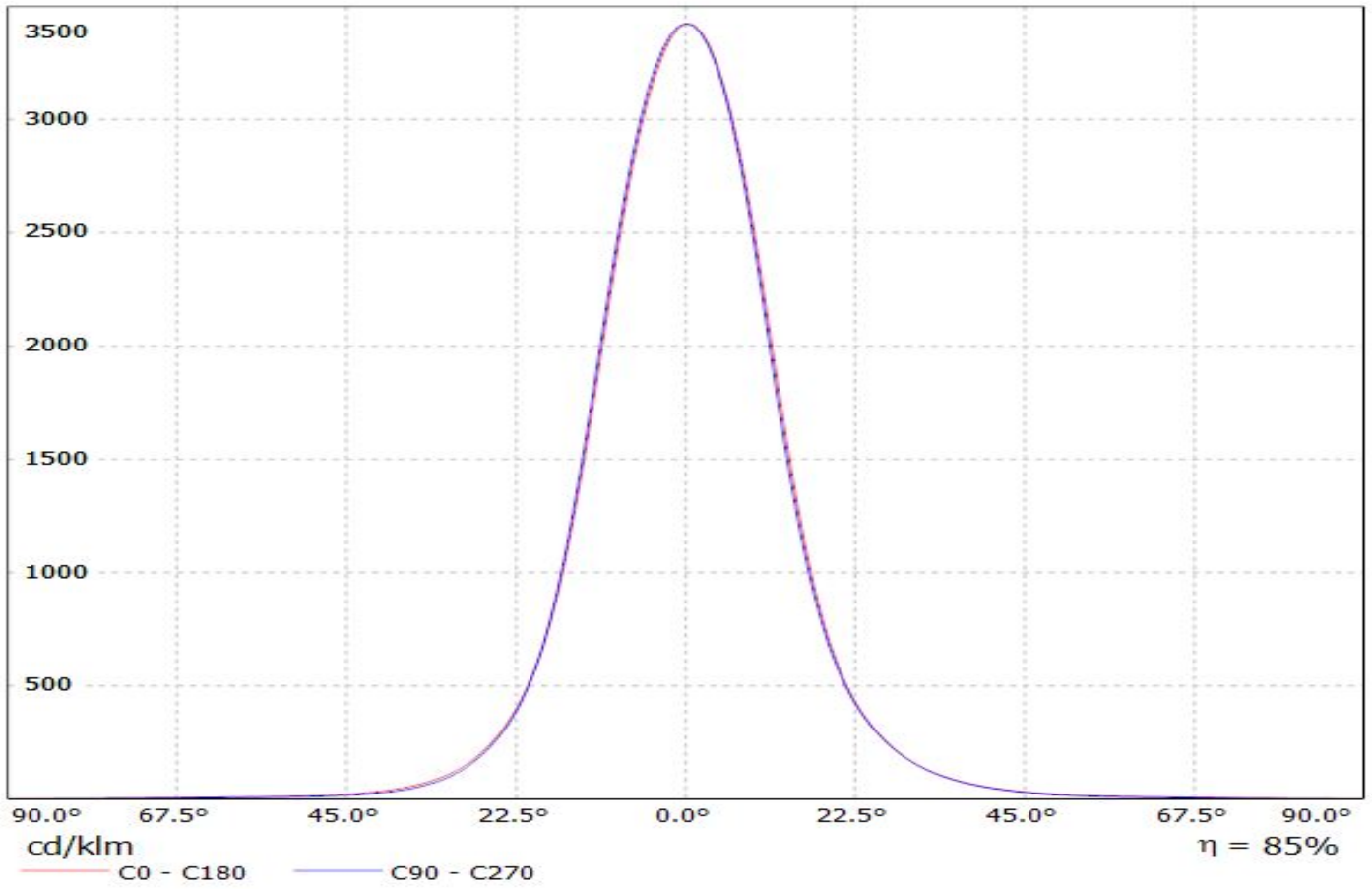
Luminaire: LEDiL Oy CA12375_TINA2-D_(TX)

Lamps: 1 x Luxeon_TX_(L1T2-5770)_109.051lm@250mA_P=0.732157W_I=0.2499A

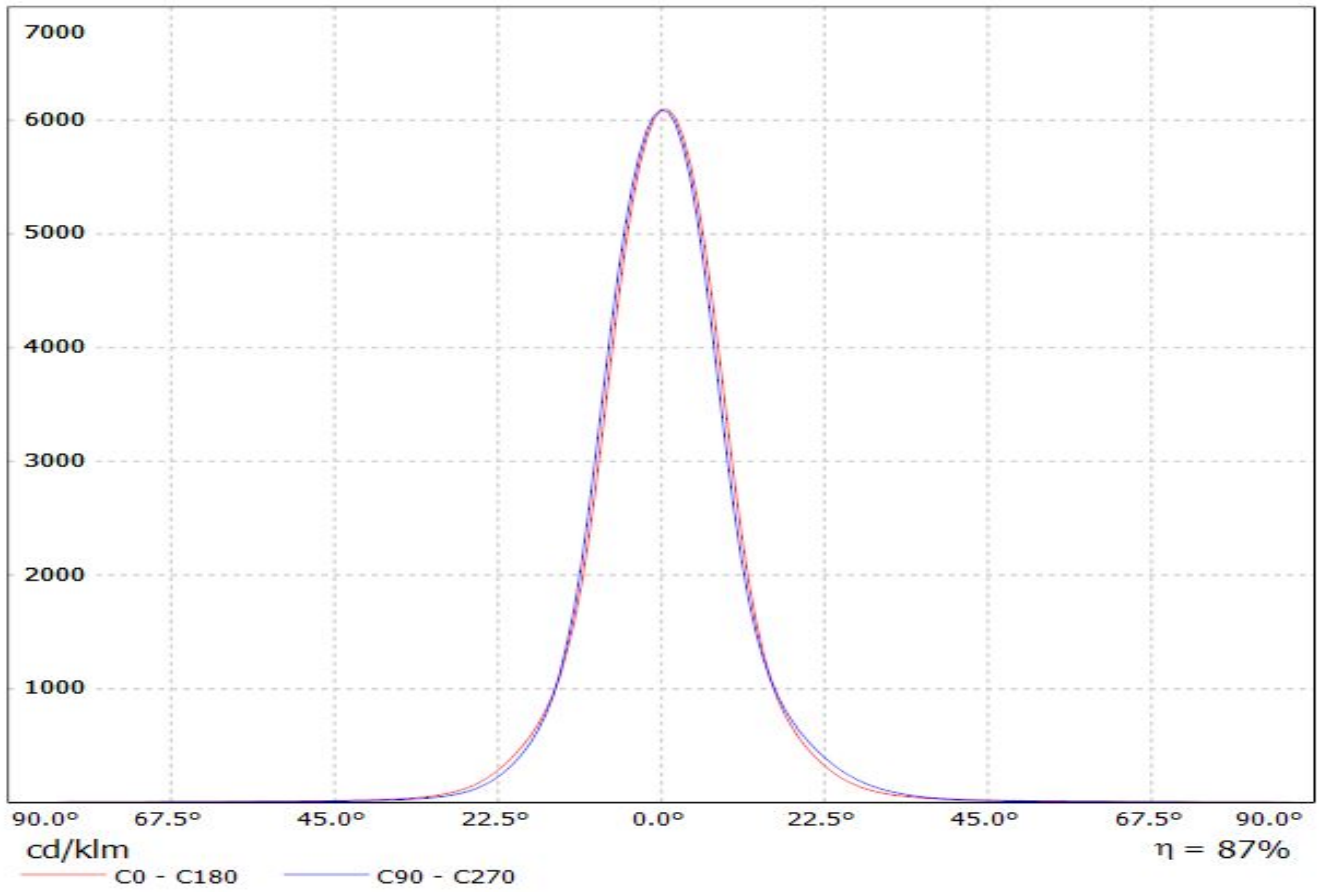


Luminaire: LEDiL Oy CA12375_TINA2-D_(NWSL229AE)

Lamps: 1 x Nichia_NWSL229AE_120.54lm@250mA_P=0.7128W_I=0.250A

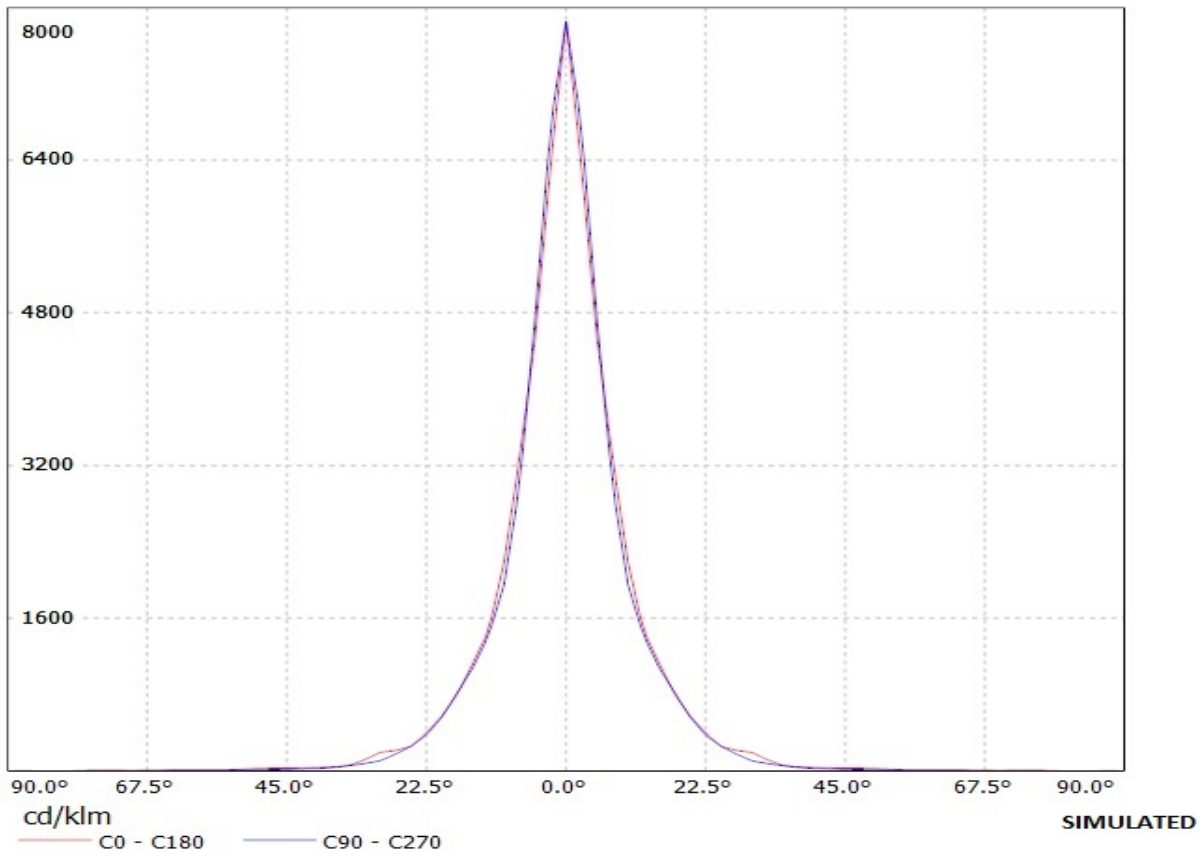


Luminaire: LEDiL Oy CA12375_TINA2-D_(NVSL219CE)
Lamps: 1 x Nichia_NVSL219CE_101.227lm@250mA_P=0.713404W_I=0.25A



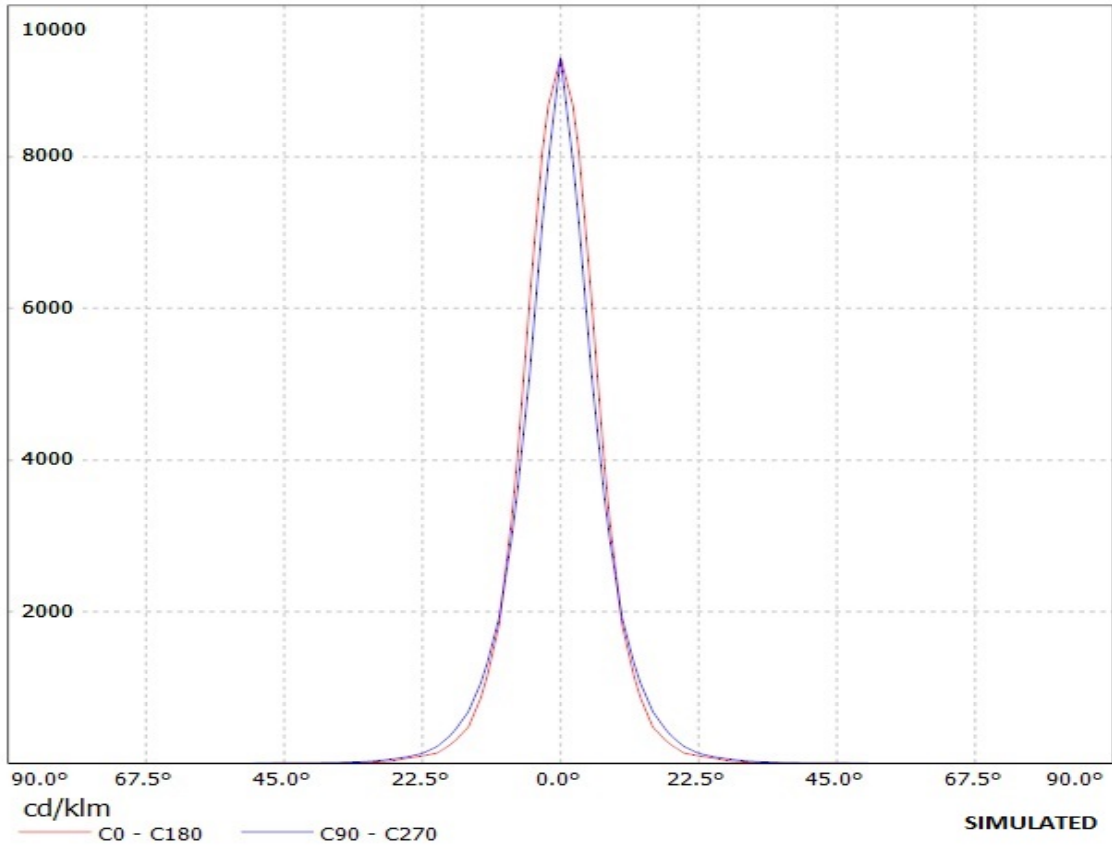
Ledil Oy CA12375_Tina2-D-OSL80 LOR=89% / LDC (Linear)

Luminaire: Ledil Oy CA12375_Tina2-D-OSL80 LOR=89%
Lamps: 1 x Osram OSL80 250mA 87lm

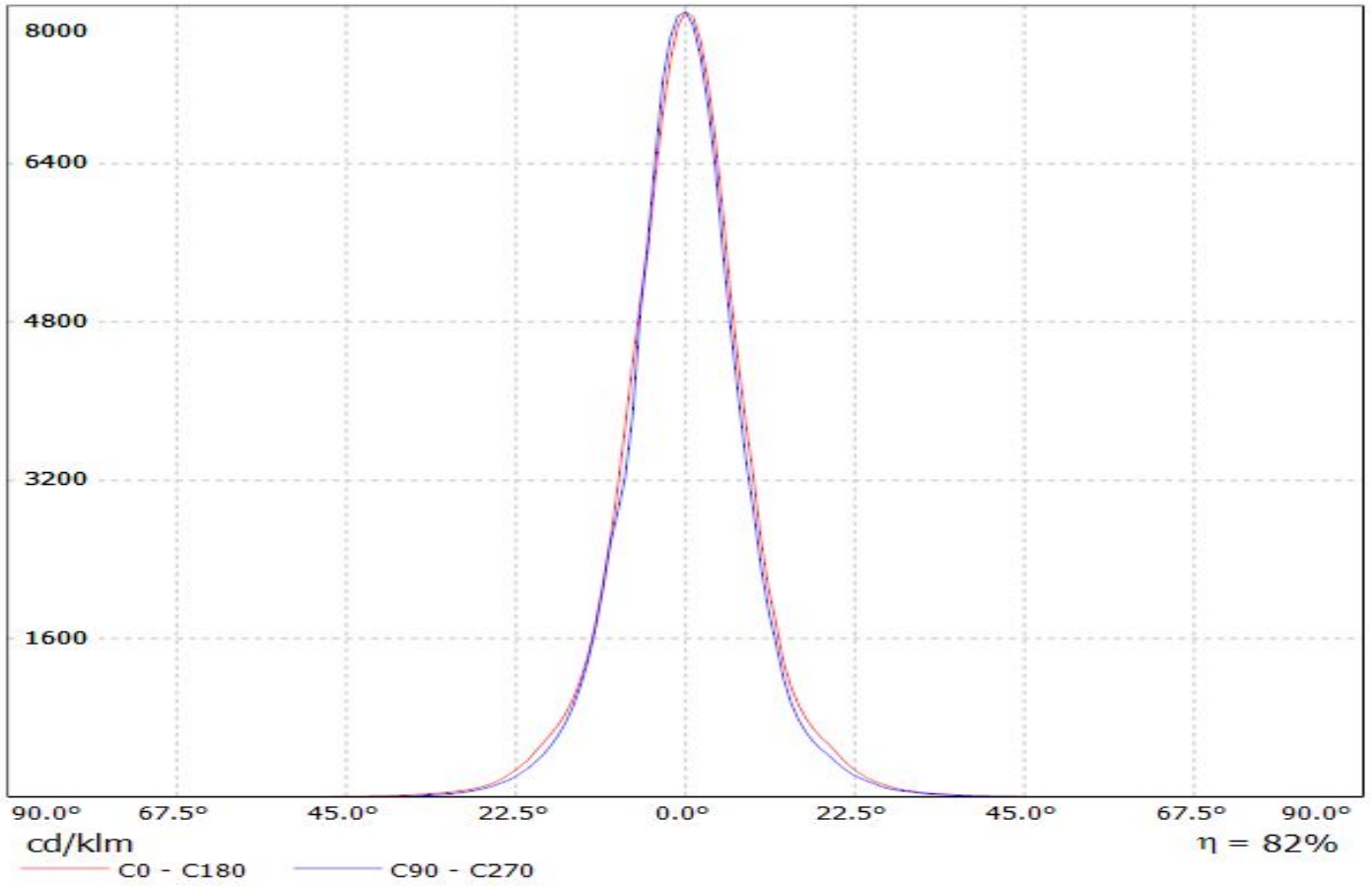


Ledil Oy CA12375_Tina2-D-OSL150 LOR=89% / LDC (Linear)

Luminaire: Ledil Oy CA12375_Tina2-D-OSL150 LOR=89%
Lamps: 1 x Osram OSL150 250mA 110lm

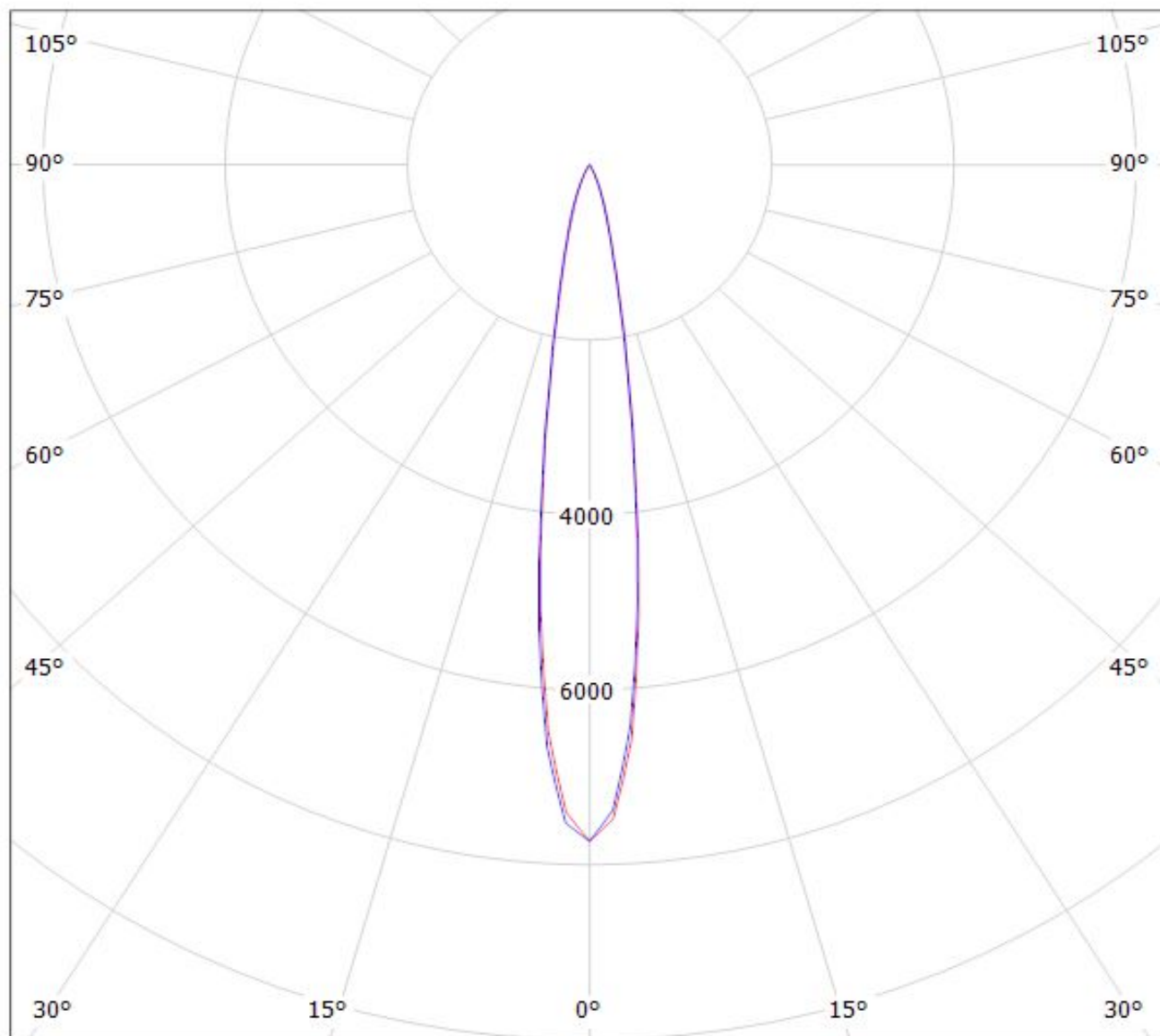


Luminaire: Ledil Oy
Lamps: 1 x CA12375_TINA2-D_(Square_EC)



Luminaire: Ledil Oy CA12375_TINA2-D_(XB-H)

Lamps: 1 x Cree XB-H (XBHAWT-0-3C0-T50-0B-0001) 106lm @ 250mA CCT= P=0.73W I=250mA



cd/klm

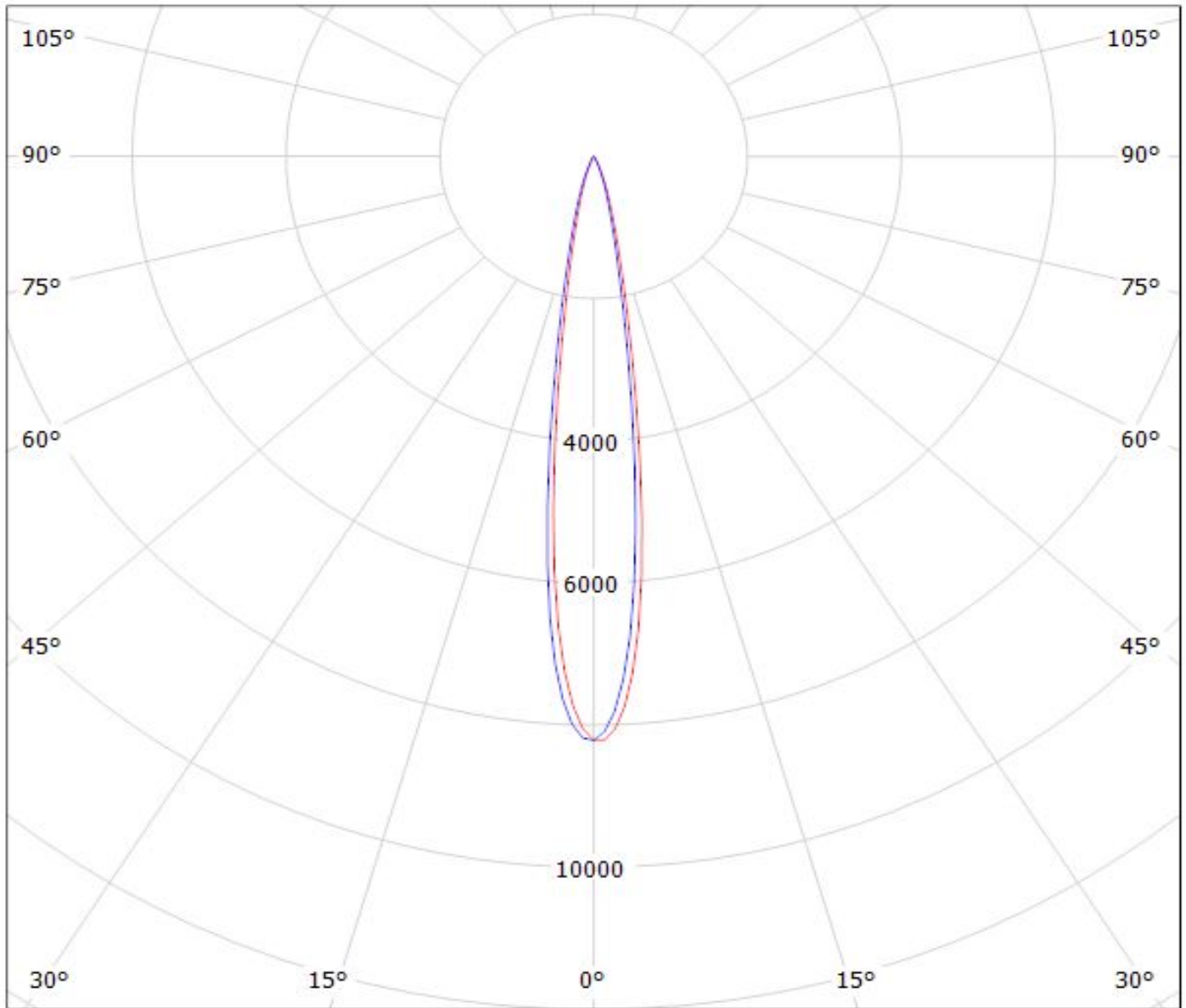
— C0 - C180

— C90 - C270

$\eta = 87\%$

Luminaire: LEDiL Oy CA12375_TINA2-D_(TX)

Lamps: 1 x Luxeon_TX_(L1T2-5770)_109.051lm@250mA_P=0.732157W_I=0.2499A



cd/klm

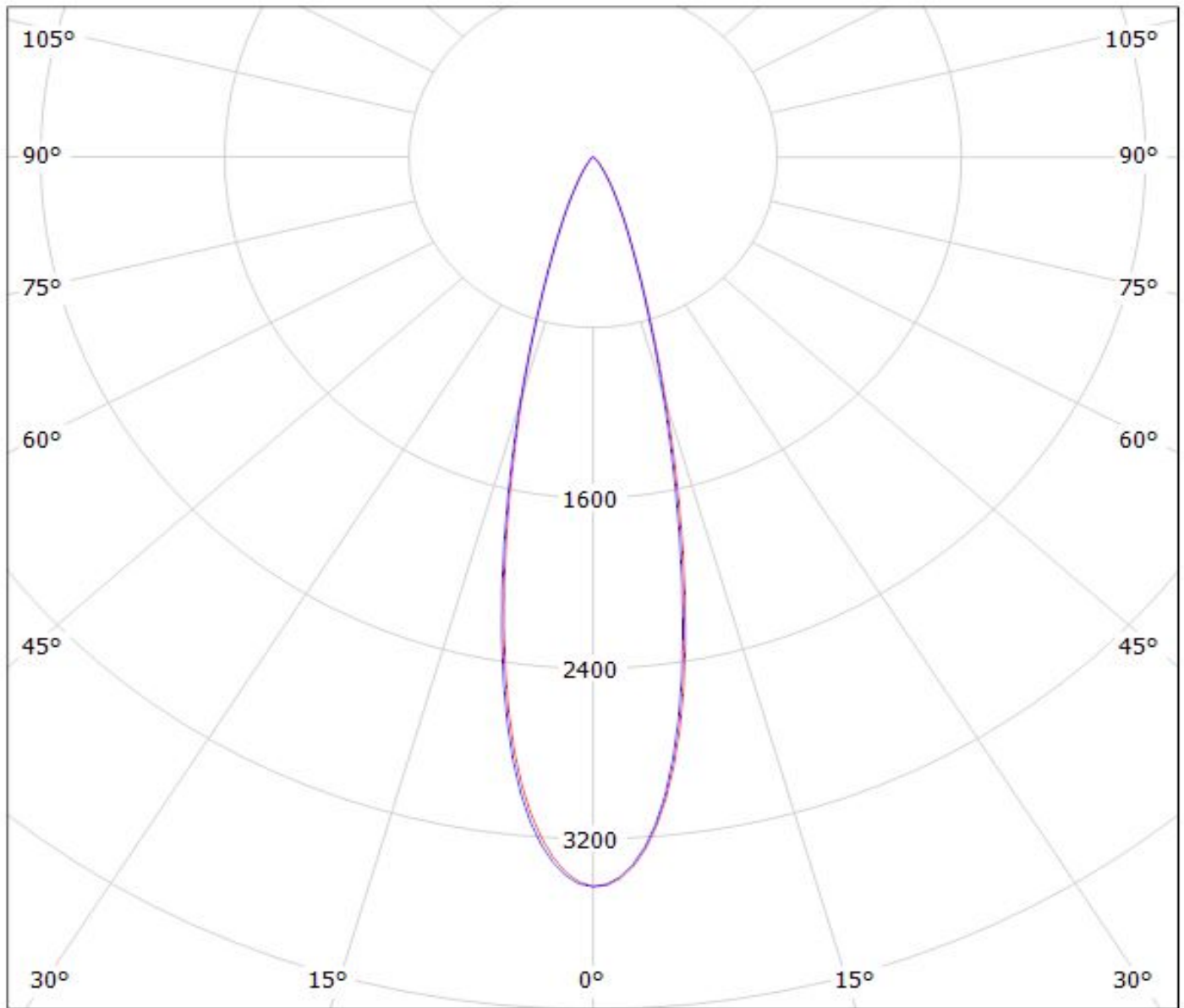
— C0 - C180

— C90 - C270

$\eta = 88\%$

Luminaire: LEDiL Oy CA12375_TINA2-D_(NWSL229AE)

Lamps: 1 x Nichia_NWSL229AE_120.54lm@250mA_P=0.7128W_I=0.250A



cd/klm

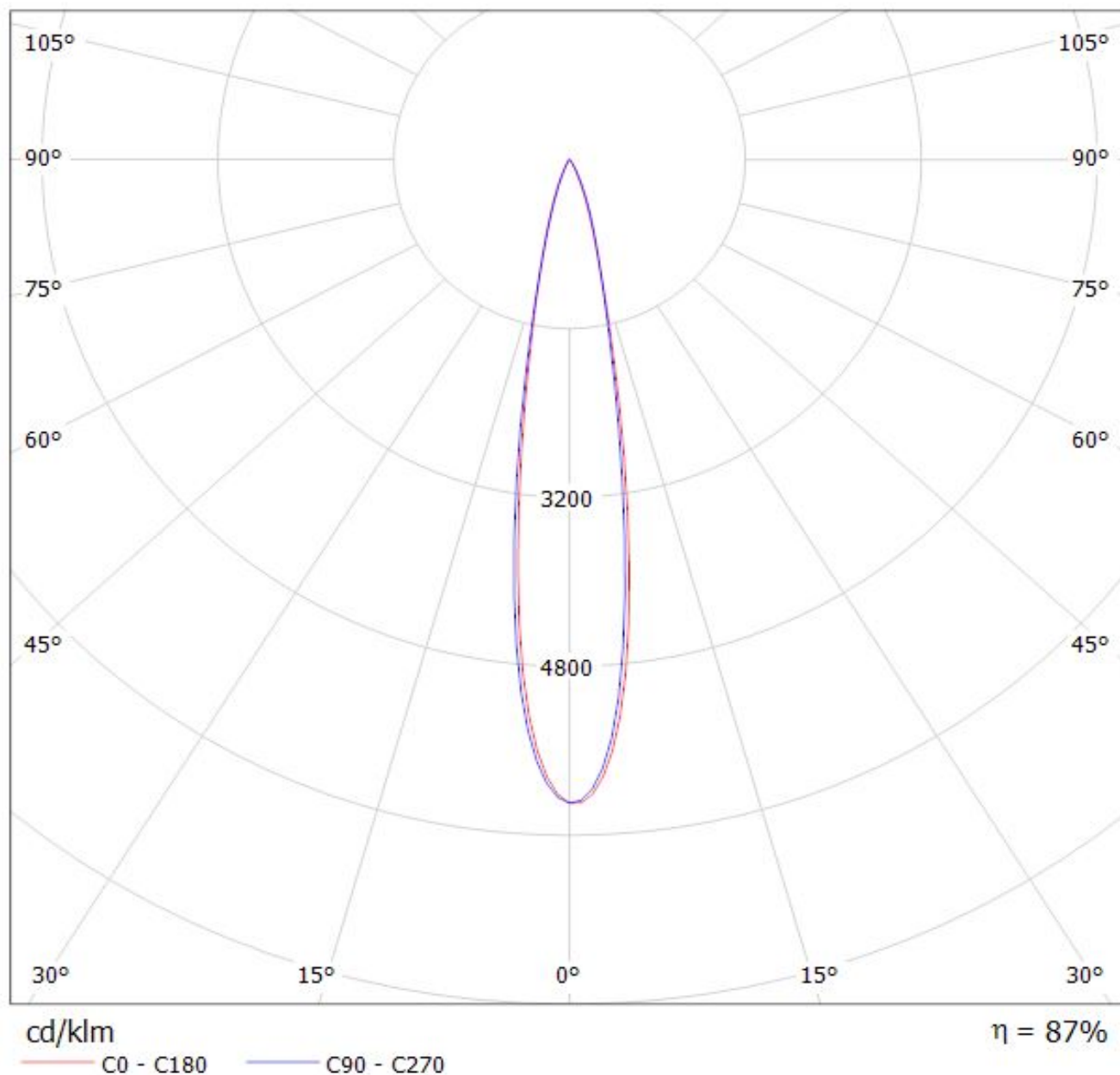
— C0 - C180

— C90 - C270

$\eta = 85\%$

Luminaire: LEDiL Oy CA12375_TINA2-D_(NVSL219CE)

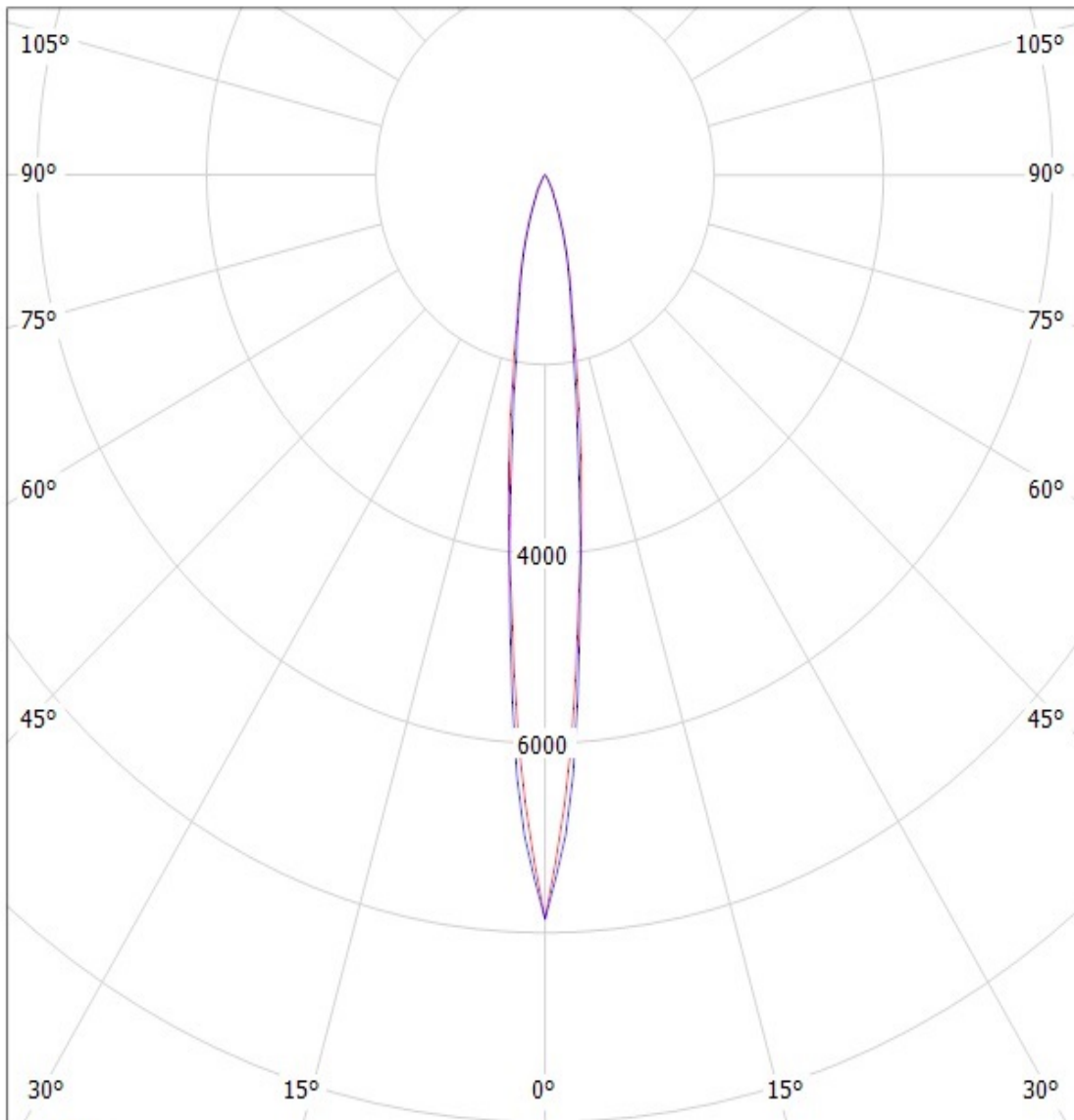
Lamps: 1 x Nichia_NVSL219CE_101.227lm@250mA_P=0.713404W_I=0.25A



Ledil Oy CA12375_Tina2-D-OSL80 LOR=89% / LDC (Polar)

Luminaire: Ledil Oy CA12375_Tina2-D-OSL80 LOR=89%

Lamps: 1 x Osram OSL80 250mA 87lm



cd/klm

— C0 - C180

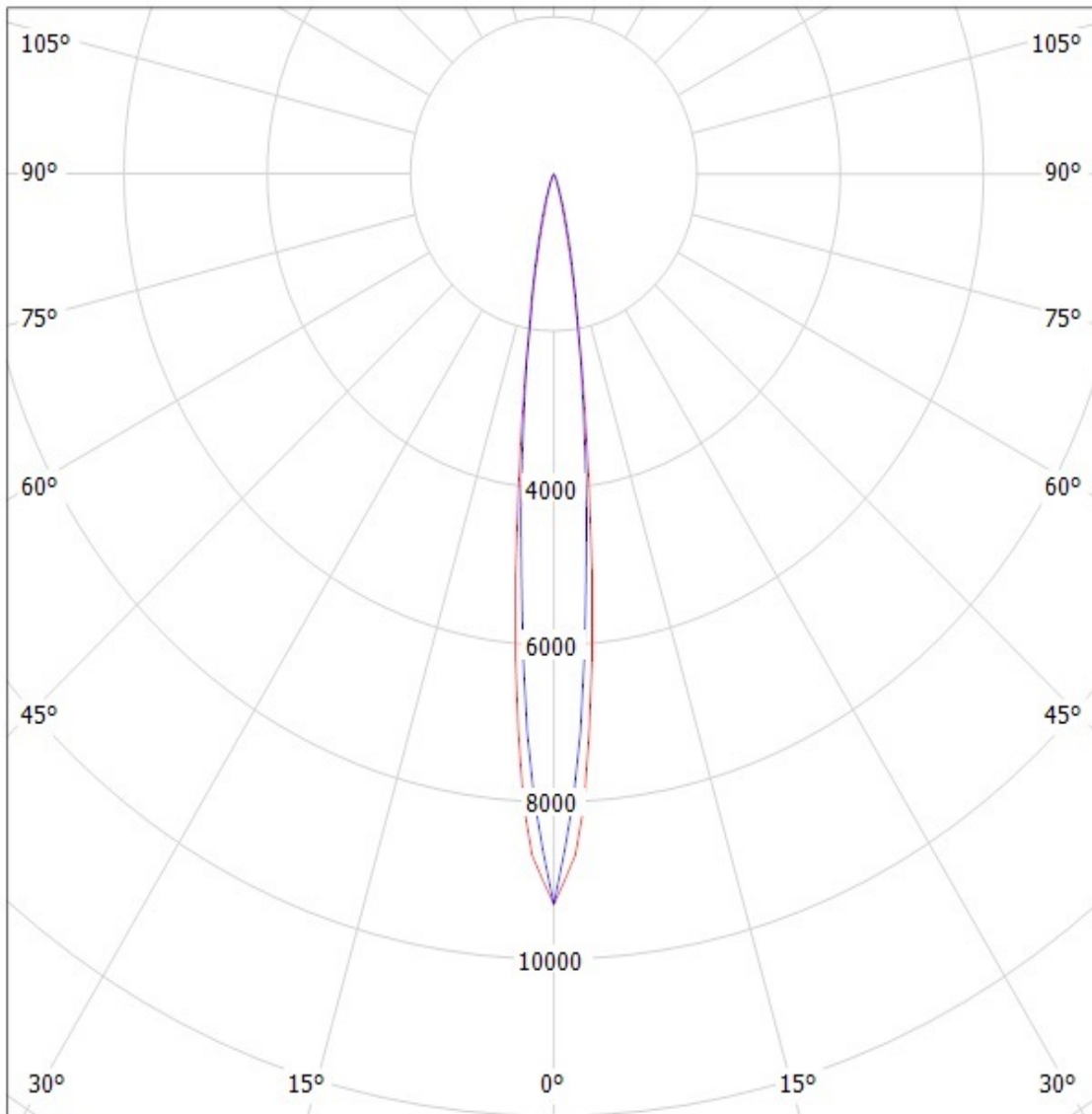
— C90 - C270

SIMULATED

Ledil Oy CA12375_Tina2-D-OSL150 LOR=89% / LDC (Polar)

Luminaire: Ledil Oy CA12375_Tina2-D-OSL150 LOR=89%

Lamps: 1 x Osram OSL150 250mA 110lm



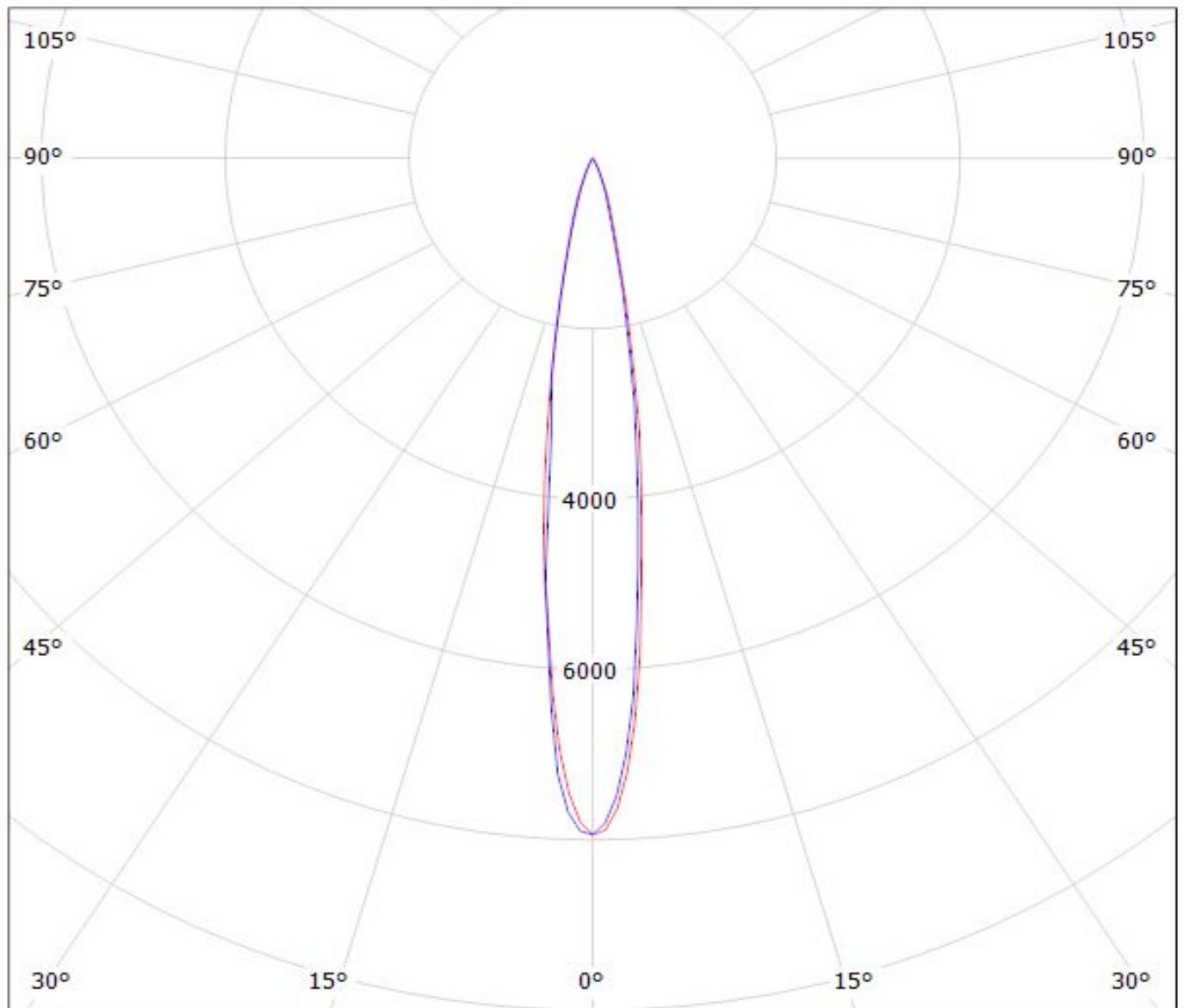
cd/klm

— C0 - C180

— C90 - C270

SIMULATED

Luminaire: Ledil Oy
Lamps: 1 x CA12375_TINA2-D_(Square_EC)



cd/klm

$\eta = 82\%$

— C0 - C180

— C90 - C270

NOTE: The typical divergence will be changed by different color, chip size and chip position tolerance. The typical total divergence is the full angle measured where the luminous intensity is half of the peak value.