



Important notes about Classic Panel Mount Indicator Catalog Pages

SCROLL DOWN TO VIEW CATALOG PAGE

This catalog page is out-of-print and is used with the understanding that the information shown could be out-of-date. In many cases, part numbers shown on this page are discontinued. Most notably, many “Complete Assembly” parts, which consist of a cap and a base, can no longer be ordered by the 14-digit ordering code. To obtain these parts, please order the cap and base part numbers separately. This process provides the components contained with the original “Complete Assembly” part number.

All Dialight Classic Panel Mount Indicators need a leading 3-digit numerical series. In some cases, this catalog will show a 2-digit series. In this case, please add a leading zero. For example, 81-0211-300 becomes 081-0211-300.

Part numbers listed on Dialight catalog pages designate parts with Red lenses. For ordering lens colors other than red, consult the chart below. In most cases, the color is dictated by the 7th digit. For example, 095-0932-003 for a green cap.

Lens Colors	
1 - Red	5 - White
2 - Green	6 - Light Yellow
3 - Yellow	7 - Clear
4 - Blue	

[Click here for a cross reference guide to assembly part numbers.](#)

[Click here to view Frequently Asked Questions concerning Panel Mount Indicators.](#)

SCROLL DOWN TO VIEW CATALOG PAGE

Incandescent Indicators for Translucent Panel Edge Lighting

for use with MIL-P-7788 Plastic Panels

FOR FRONT MOUNTING IN 15/32" CLEARANCE HOLE



**T-1 3/4
MIDGET
FLANGE BASE**

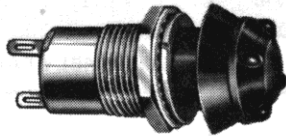
See lamp ratings
on page J.

TWO TERMINALS – FULLY INSULATED

These indicators are designed to emit light through a colored filter radially into the plastic plate. A resilient light seal washer (light trap) insures against light loss at the front of the panel.

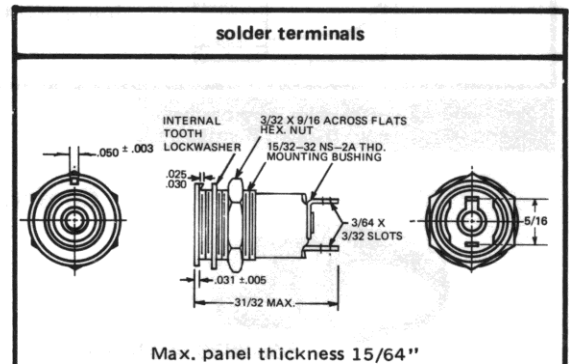
MATERIALS AND FINISHES

- **Mounting Bushing:** Brass, cadmium plated with yellow iridescent chromate finish.
- **Hardware:** Internal-tooth lockwasher and hex mounting nut— Steel, cadmium plated with yellow iridescent chromate finish.
- **Terminals:** Solder – Brass, hot-tinned, with elongated slots.



271-8430-0111-702

Anti-rotation Notch on face of flange prevents rotation of unit while nut is being tightened.
Note: On all units, the shank of the lens holder is crimped in 3 evenly spaced places to secure the lamp.



271-8430-702

HOLDER (filter cap) ASSEMBLY PART NUMBERS

BASE PART NUMBERS

	Part number	Top color	Filter color	Light seal washer-opaque	COMPLETE ASSEMBLY PART NUMBERS
	271-0121	Black	Green	Black	271-8430-0121-702
271-0131	Black	Amber	Black	271-8430-0131-702	
271-0222	Gray	Green	Gray	271-8430-0222-702	
271-0232	Gray	Amber	Gray	271-8430-0232-702	

Part numbers shown in gray are normally in inventory at your Dialight Distributor.

Order complete with lamp to be assured of receiving the indicator light and correct lamp together for immediate use.