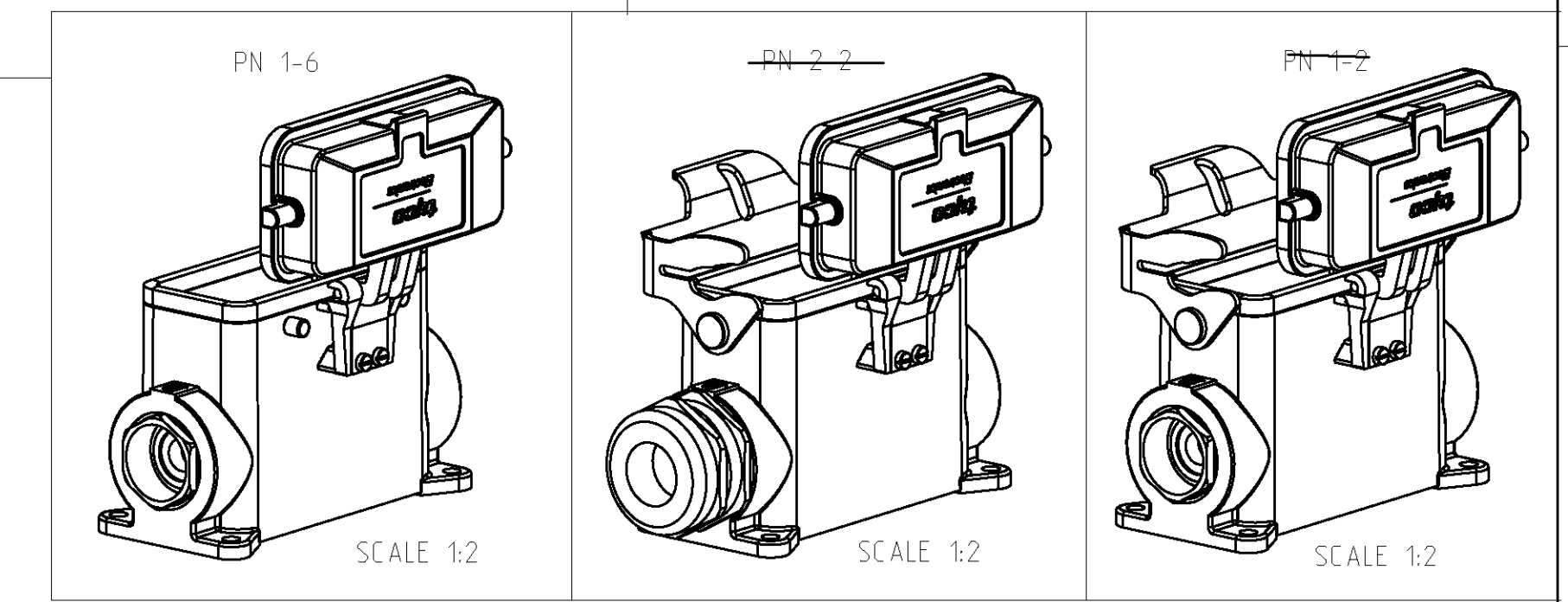
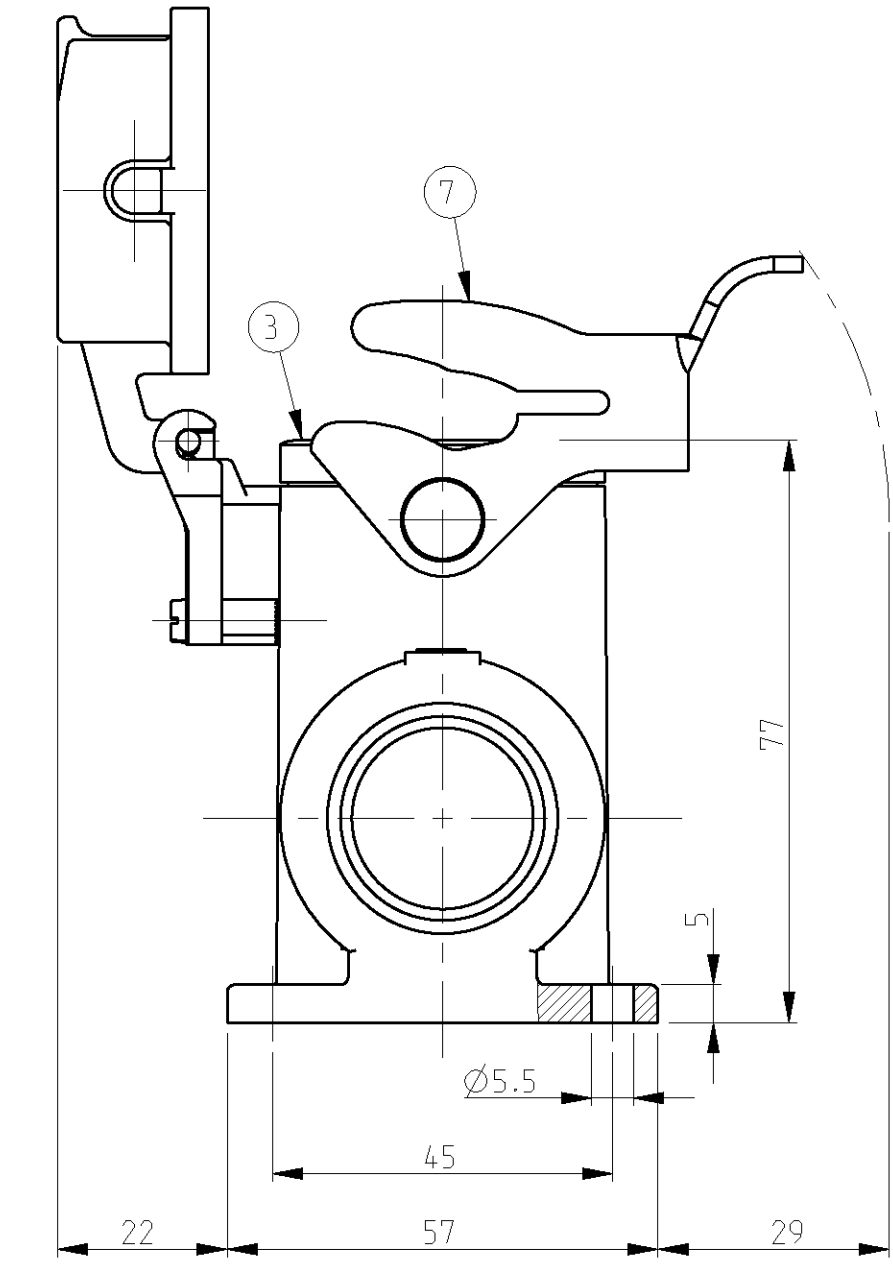
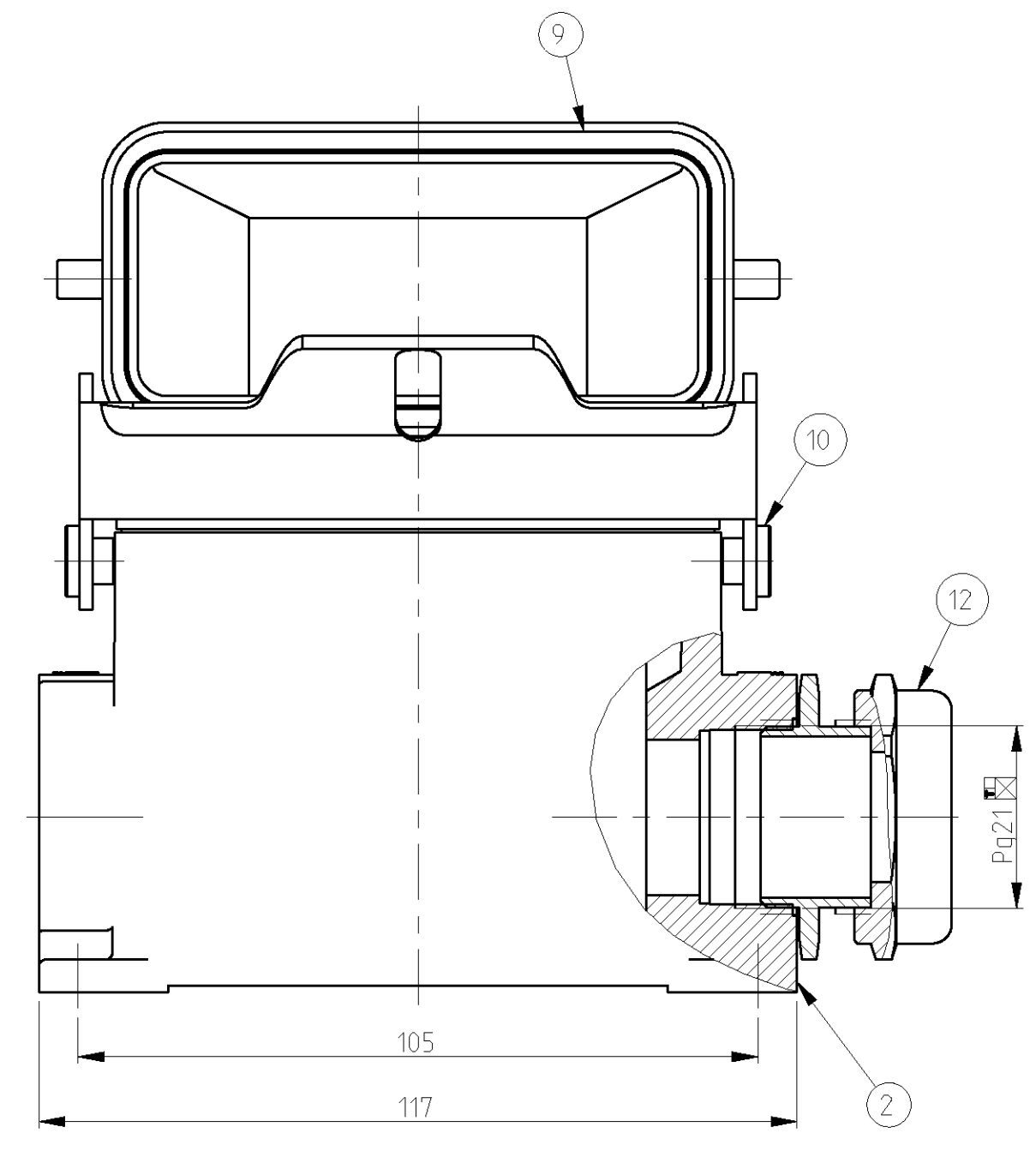
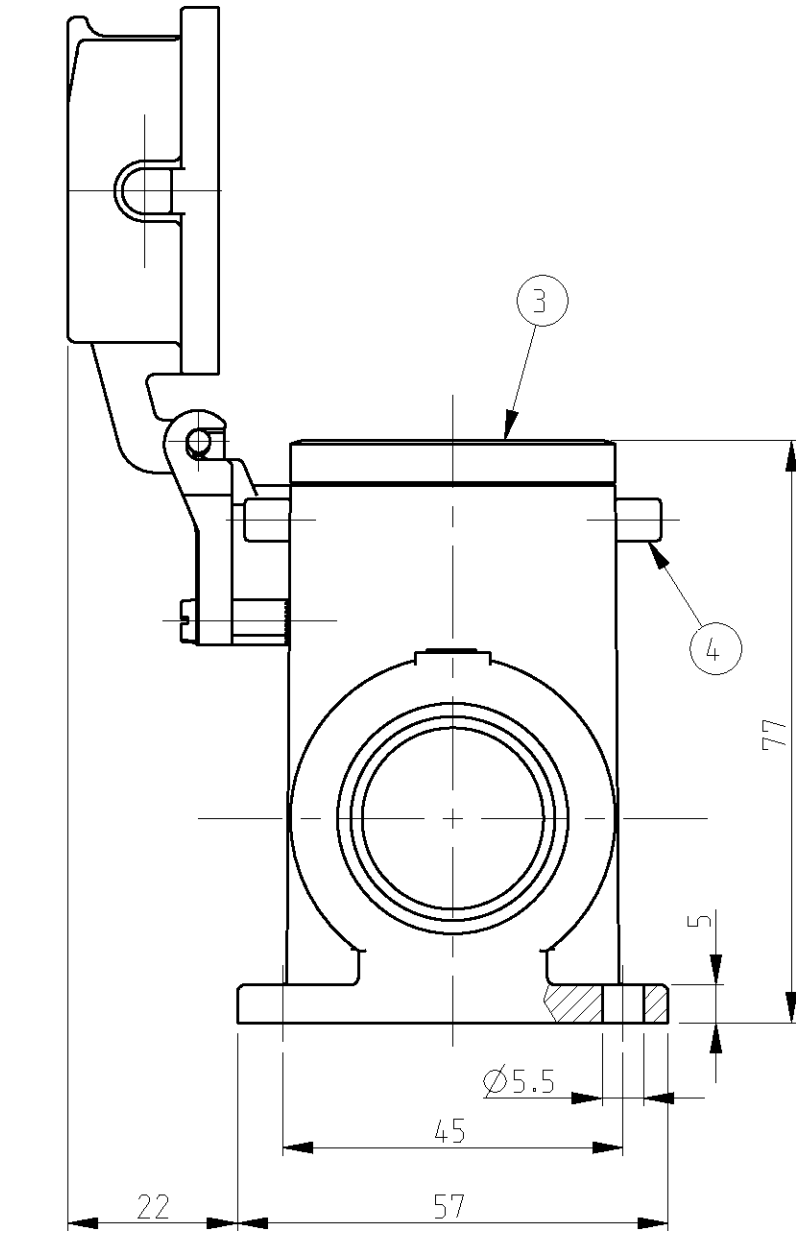
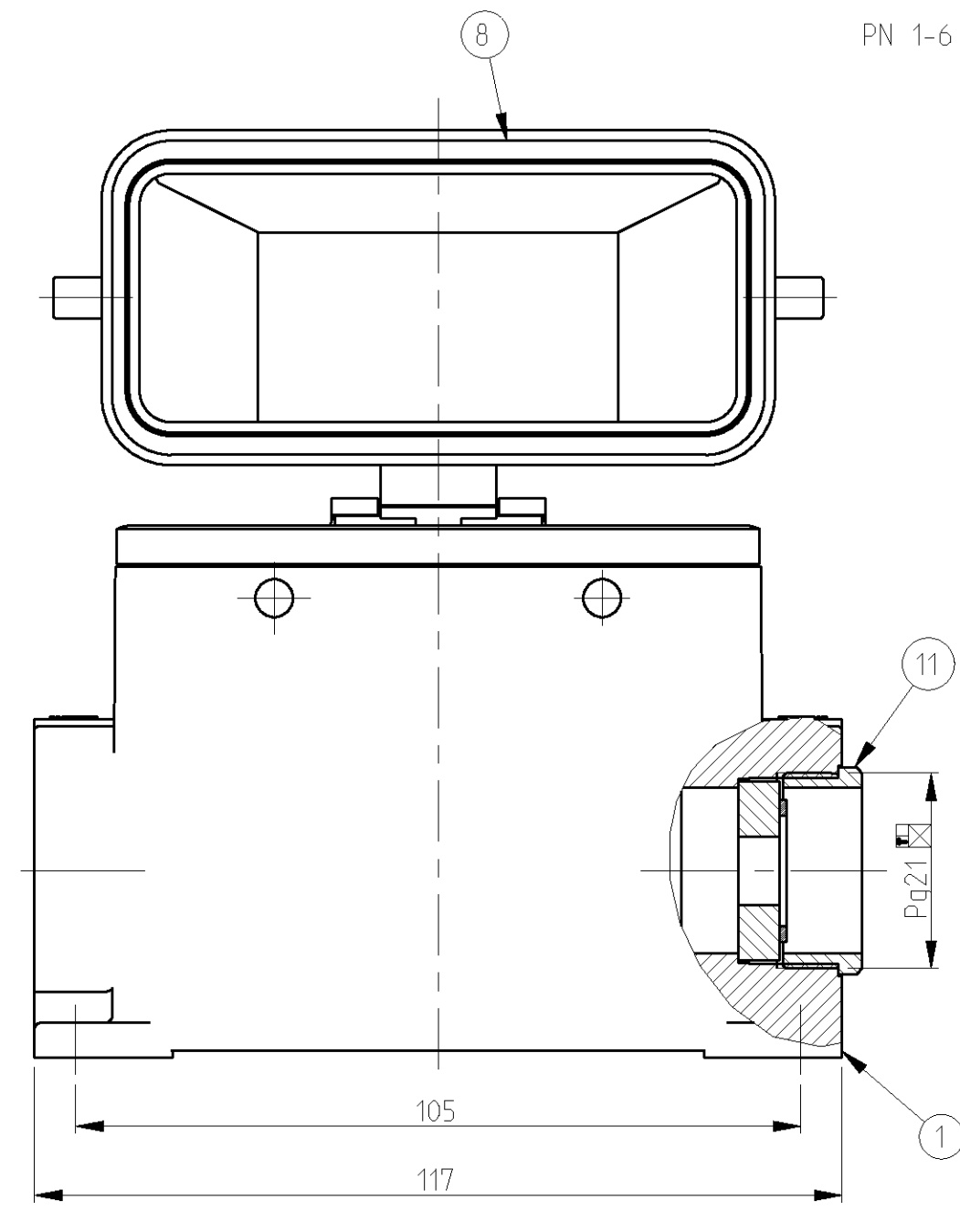
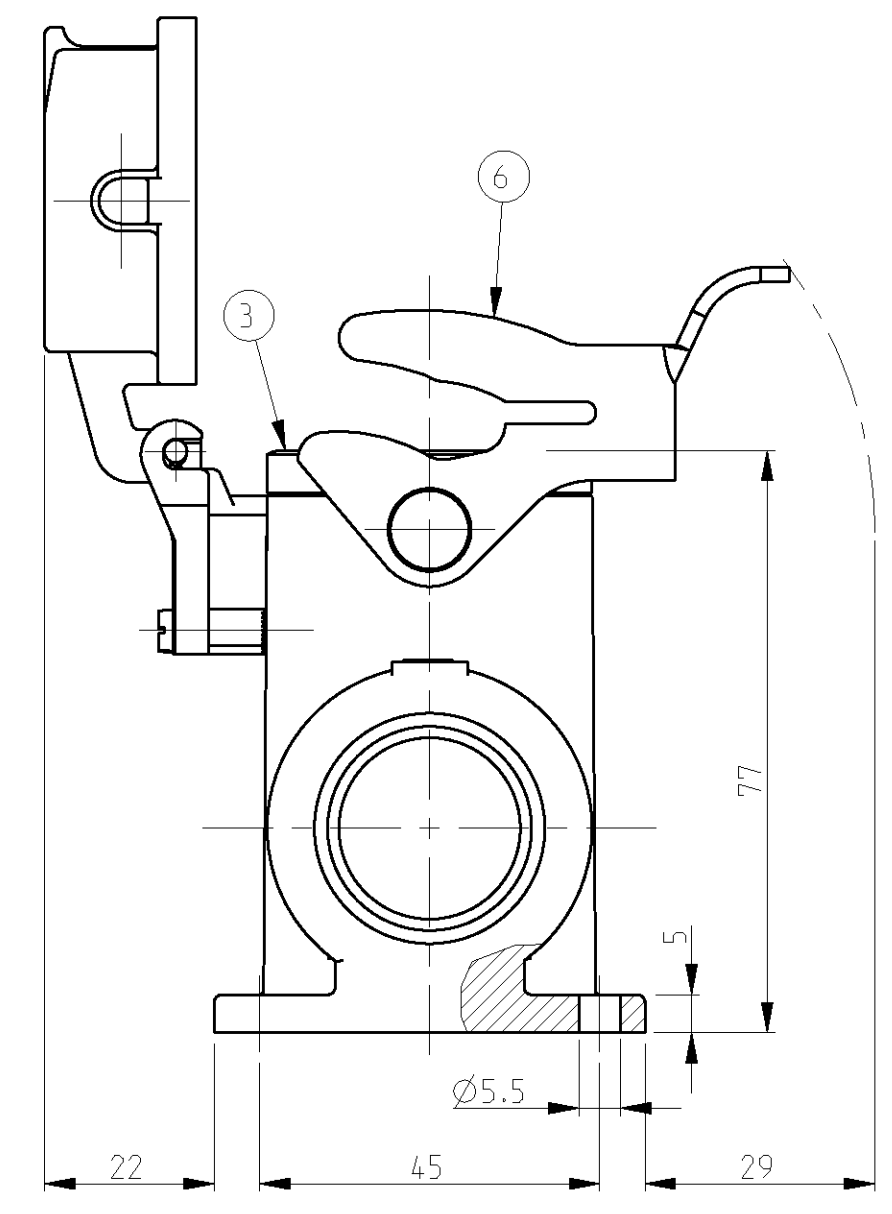
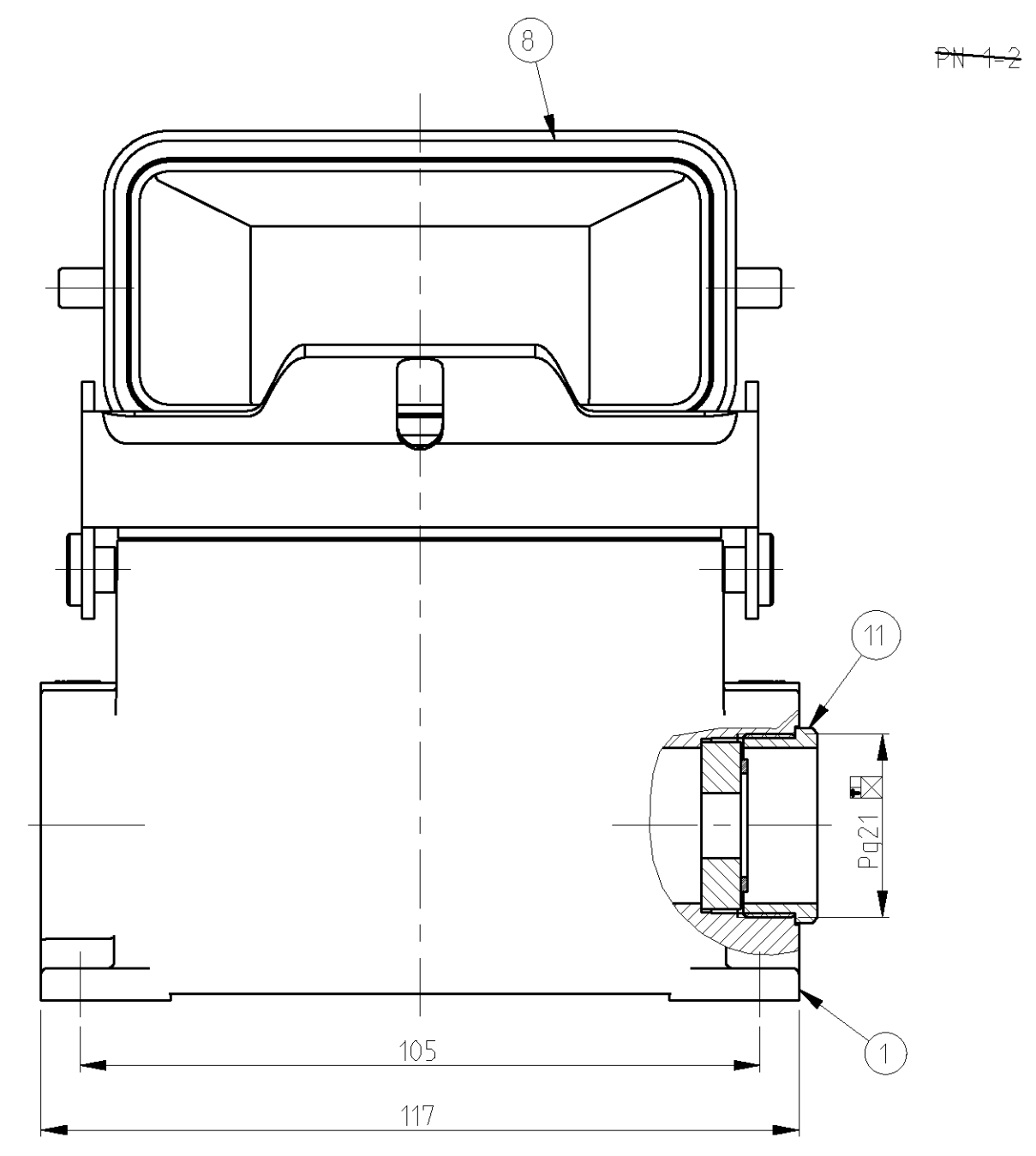


LOC	DISC	REV	DATE	DWN	APVD	
A1	-	A3	Released as per ECR-08-015813	23.JUN.2008	SP	TS
		A4	REVISED PER ECO-09-027197	20JAN10	KK	HMR

- NOTES.
- 1 Material:Housing:Aluminium Diecasting Alloy  
Seals:Neoprene
  - 2 Surface:Varnish grey  
-Aluminium Oxide +Varnish Black
  - 3 Varnish on the inside not necessary
  - 4 Packaging  
Quantify 5 Pieces in a box
- ⚠ OBSOLETE PARTS. OBSOLETE CIS STREAMLINING PER D.RENAUD/D.SINISI



QTY	DESCRIPTION	MATERIAL	SURFACE	COLOR	ITEM NO	REMARKS
1	Gland fitting PG21	Brass	Nickel plated		12	
1	DS-Cable connection round PG21	Brass	Nickel plated		11	
2	LB-Clip bolt	Stainless steel	Blank		10	
1	Cover HB.16	Aluminium	Aluminium oxide	Black	9	
1	Cover HB.16	Aluminium	Aluminium oxide	Black	8	
1	LB-Side clip	Stainless steel	Blank	Grey	7	
1	LB-Side clip	Steel	Zinc plated		6	
4	VS-Clip bolt	Stainless steel	Blank		5	
4	VS-Clip bolt	Steel	Zinc plated		4	
1	Profile seal	Neoprene		Black	3	
1	Surface mounted housing HD.40.Pg.1.21	Aluminium	Aluminium oxide	Black	2	
1	Surface mounted housing HD.40.Pg.1.21	Aluminium		Grey	1	

ORDERING TEXT  
 HD.40.SGD.1.21  
 HD-K.40.SGD.LB.1.21  
 HD-K.40.SGD.LB.1.21

DIMENSIONS: mm 		TOLERANCES UNLESS OTHERWISE SPECIFIED: mm 0 PLC ± 1 PLC ± 2 PLC ± 3 PLC ± 4 PLC ± ANGLES ±		DWN Schneider 21.01.2000 CDR Schneider 21.01.2000 APVD Schneider		Tyco Electronics AMP GmbH D-53819 Neunkirchen, Germany	
MATERIAL FINISH		PRODUCT SPEC APPLICATION SPEC		NAME Surface mounted housing side entry HD.40.SGD.1.21		SIZE CAGE CODE DRAWING NO RESTRICTED TO A1 00779 C= 1102588	
CUSTOMER DRAWING		SCALE 1:1 SHEET 1 OF 1		REV A4		WEIGHT	