

D

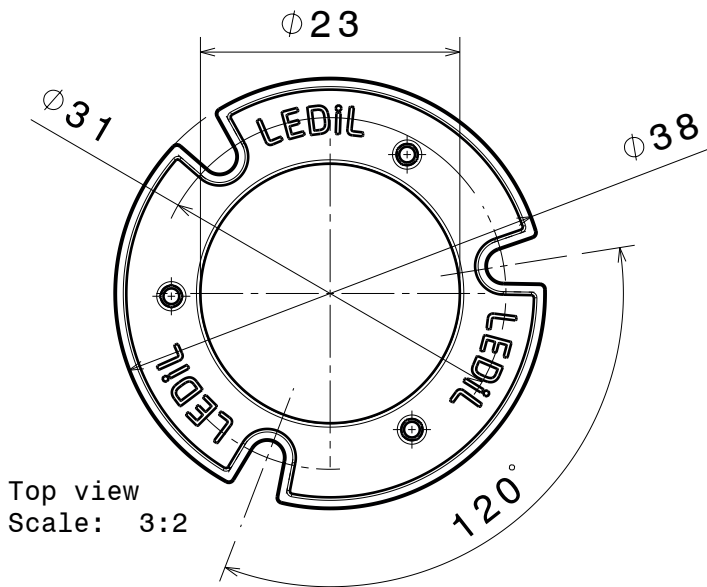
C

B

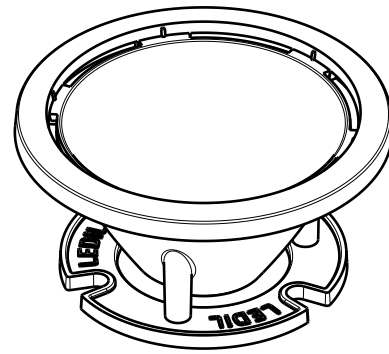
A

4

4



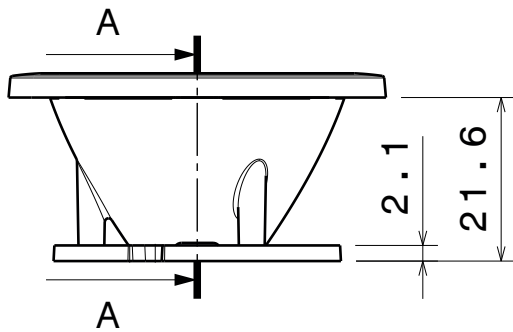
Top view
Scale: 3:2



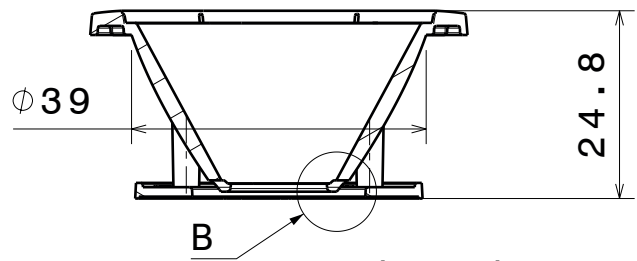
Isometric view

3

3



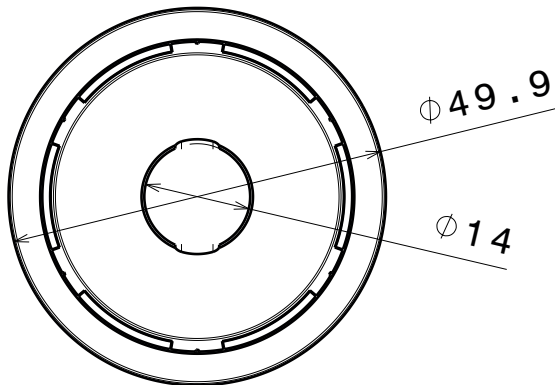
Front view



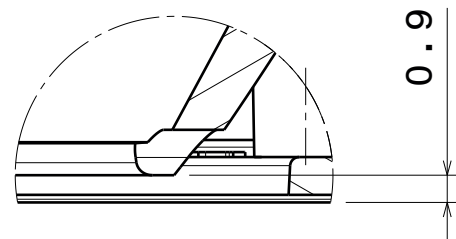
Section view A-A

2

2



Top view



Detail B

NOTE: It is recommended to use glue like DELO-PUR 9895 for pin fastening.
[http://www.delo.de/fileadmin/datasheet/DELO-PUR_9895_\(TIDB-GB\).pdf](http://www.delo.de/fileadmin/datasheet/DELO-PUR_9895_(TIDB-GB).pdf)

This drawing is our property.
It can't be reproduced
or communicated without
our written agreement.

Ledil Oy
Salorankatu 10
FIN 24240 SALO
Finland

DRAWING TITLE

Mechanical drawing

DRAWN BY

as

DATE

28.8.2012

MIRELLA-PF

CHECKED BY

VS

DATE

28.8.2012

SIZE

A4

REV

001

DESIGNED BY

as

DATE

SCALE

1:1

WEIGHT

-

SHEET

1/1

D

A

1

1