

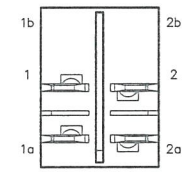
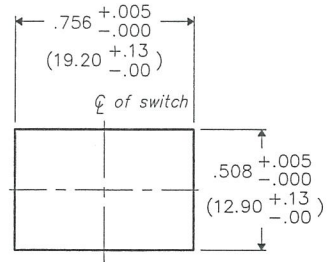
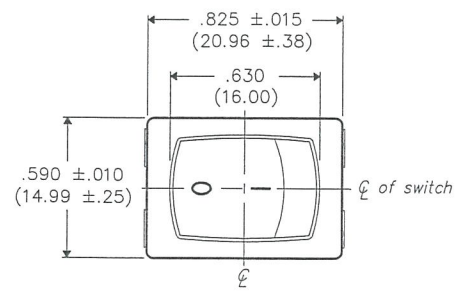
F
 D
 C
 B
 A

THIS INFORMATION IS CONFIDENTIAL AND PROPRIETARY TO CW INDUSTRIES INCORPORATED AND ITS AFFILIATES. IT MAY NOT BE DISCLOSED TO ANYONE, OTHER THAN CW INDUSTRIES PERSONNEL, WITHOUT WRITTEN AUTHORIZATION FROM CW INDUSTRIES INCORPORATED, SOUTHAMPTON, PENNSYLVANIA USA.

DIMENSIONS IN INCHES (MILLIMETERS)
DO NOT SCALE DRAWING

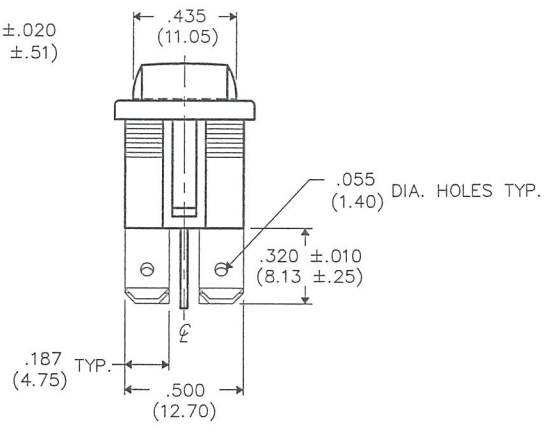
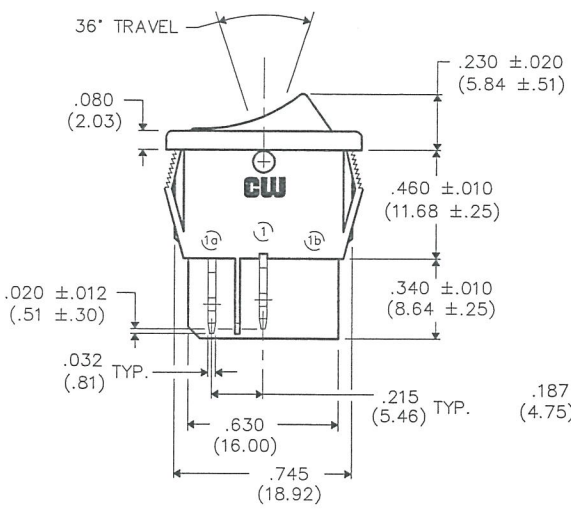
Dwg. No.
GRSV-4021-0006

PANEL PIERCING



BOTTOM VIEW

SWITCH COLOR - Black
LEGEND COLOR - White



SWITCH RATINGS:

UL/CSA/105°
 16A 125-250VAC , 10A 14V (T)
 3/4 H.P. 125-250VAC , 3A 125V (L)
 VDE
 10(4) 250 ~ μ 85°

B-FORMAT 2002

REVISIONS
 RELEASED: 7-01-13
 DGW JUL 19 2013

1	2	3	4	5	6	7	8	9	10
---	---	---	---	---	---	---	---	---	----

PDF FILE	CW INDUSTRIES Southampton, Pa. 18966		Title: ROCKER SWIDGET ASSEMBLY (POP IN), W/BARR.S D.P.- S.T. Division: SWITCH Dwg. No. GRSV-4021-0006
	TOLERANCES UNLESS OTHERWISE SPECIFIED 2 Place Decimal ±.010 METRIC 3 Place Decimal ±.005 1 Place Dec. ±.25mm Angles ±1' 2 Place Dec. ±.13mm		
	Made for: CW IND.		
	Drawn by: DGW 7-01-13 Checked by: <i>G. Guld 7-8-13</i> Approval: <i>G. Guld 7-8-13</i>		

MASTER