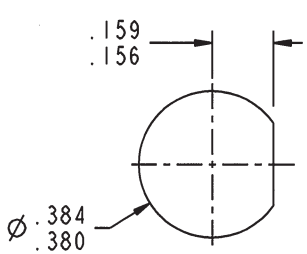


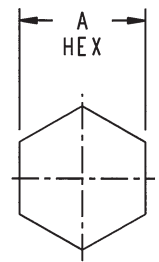
| DASH NO | CABLES ACCOMMODATED                             | A HEX | ASSEMBLE PER |
|---------|---|-------|--------------|
| -003    | RG-174, 316                                     | .178  | TAI-D118     |
| -004    | RG-179  |       |              |
| -009    | 8218, BELDEN<br>YR23023 BELDEN<br>21-597, ESSEX |       |              |
| -013    | RG-59   | .255  |              |
| -014    | 8212, BELDEN                                    |       |              |
| -025    | 734A, COMMSCOPE                                 |       |              |
| -026    | 735A, COMMSCOPE                                 | .178  |              |
| -031    | CDT RA7000                                      | .213  |              |

DATA CONTAINED IN THIS DOCUMENT IS PROPRIETARY TO TROMPETER ELECTRONICS INC. AND SHALL NOT BE DISCLOSED, COPIED OR USED FOR PROCUREMENT OR MANUFACTURE WITHOUT EXPRESS WRITTEN PERMISSION.

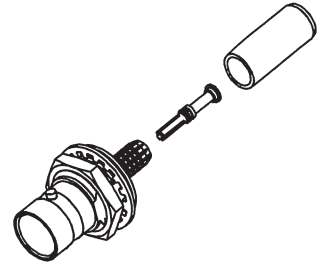
| REVISIONS |                       |         |          |
|-----------|-----------------------|---------|----------|
| REV       | DESCRIPTIONS          | DATE    | APPROVED |
| J         | REVISED PER ECO 16805 | 1/21/09 | WABx     |



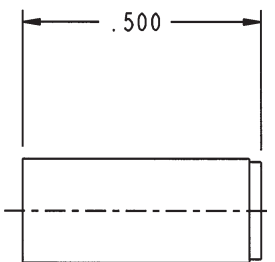
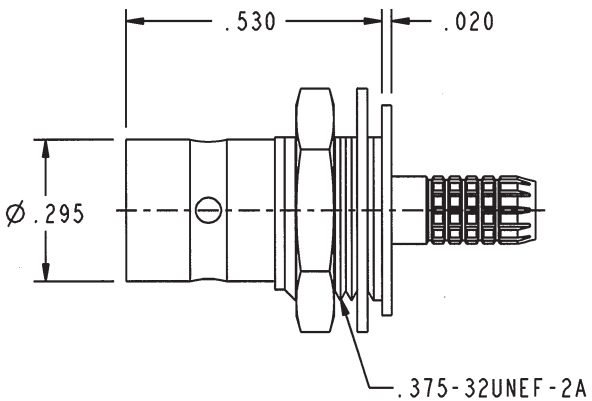
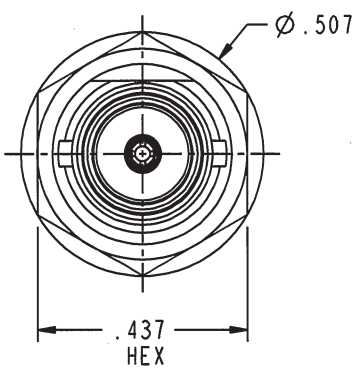
RECOMMENDED  
PANEL CUT-OUT



RECOMMENDED  
HEX CRIMP



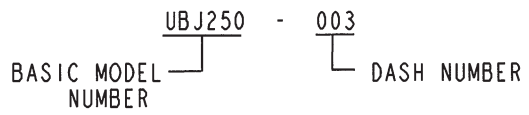
SCALE 1/1



**RED INDICATES ORIGINAL**

5. ALL PACKAGING MUST BE MARKED WITH "Pat. 7,455,542"

4. EXAMPLE OF COMPLETE MODEL NUMBER





3. 75Ω "MINI BNC" STYLE FULL CRIMP CABLE RECEPTACLE

2. ALL COMPONENTS SHOWN ARE SUPPLIED LOOSE

1. FINISH: TFS-1A (NICKEL)

NOTES: UNLESS OTHERWISE SPECIFIED.

|  |                          |  |                |   |                    |
|--|--------------------------|--|----------------|---|--------------------|
| INTERPRET DRAWING PER MIL-STD-100. DIMENSIONS ARE IN INCHES AND INCLUDE FINISH THICKNESS UNLESS OTHERWISE SPECIFIED. |                          | TOL: UNLESS SPECIFIED.<br>.XX ± .02<br>.XXX ± .010<br>ANGLE ± 1° |                | <br>a cinch connectivity solutions brand |                    |
| DRN<br>N JOHNSON   | 12-2-08                  | MATERIAL:  |                |   |                    |
| CHK<br>JL  | 1-15-09                  | FINISH:  |                | SIZE<br>A   | CAGE CODE<br>14949 |
| MANUF<br>                       | 1-15-09                  | DO NOT SCALE DWG   |                | DRAWING NO.<br>1-0593   | REV.<br>J          |
| NEXT ASSY  | PROTE FILE NO.<br>1-0593 | SCALE<br>2.5/1   | DATE<br>4/5/01 | SHEET<br>1C   |                    |