

DETAILS

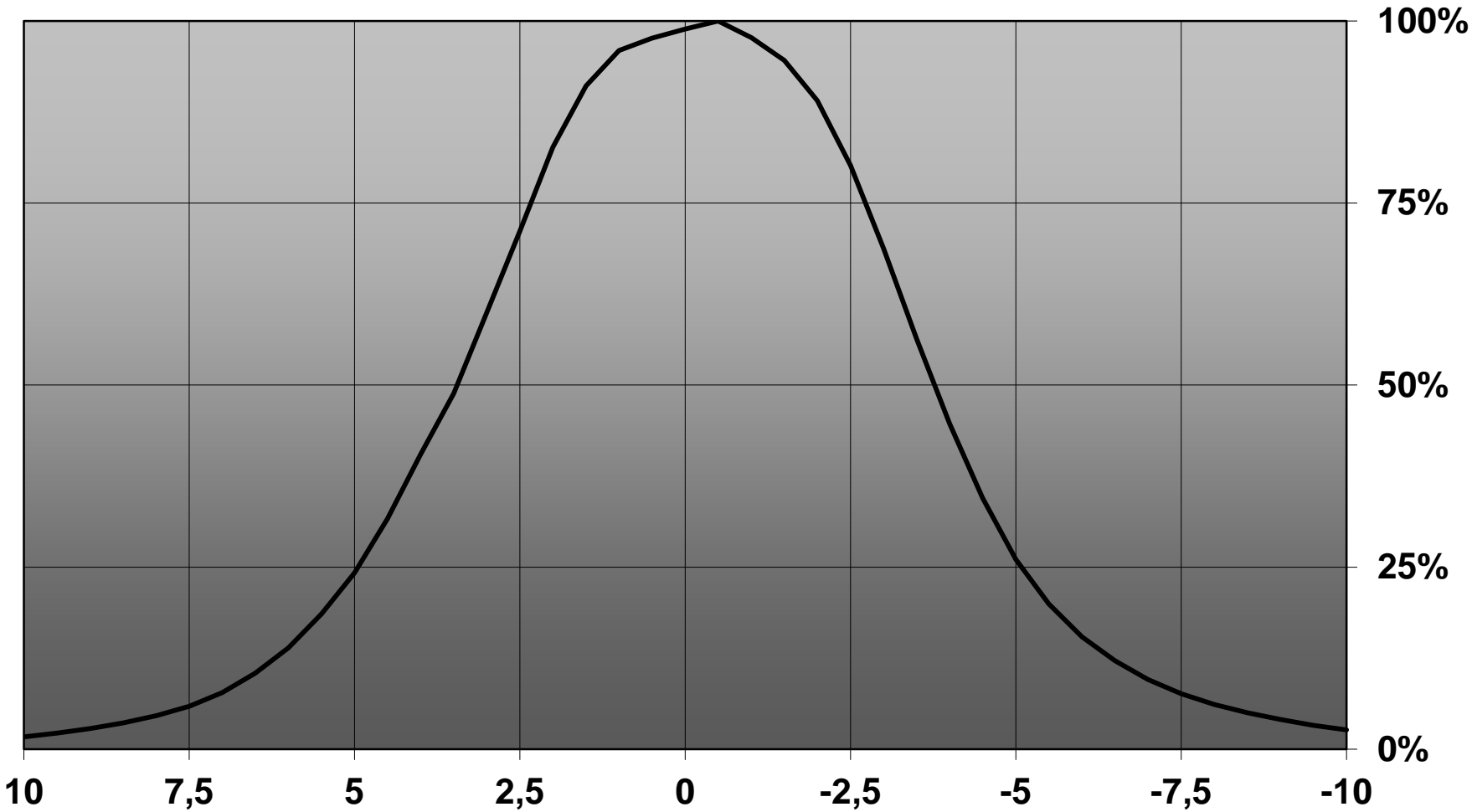
Product Number	CA11481_LXP2-RS
Family	Leila
Type	Assembly
Color	black
Diameter	21,6 mm
Height	14,7 mm
Style	round
Optic Material	PMMA
Holder Material	
Fastening	tape
Status	production ready
ROHS Compliant	Yes
Date Updated	25/04/2014

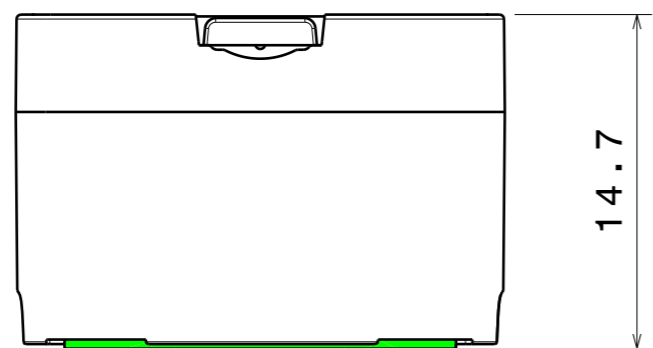


OPTICAL PROPERTIES

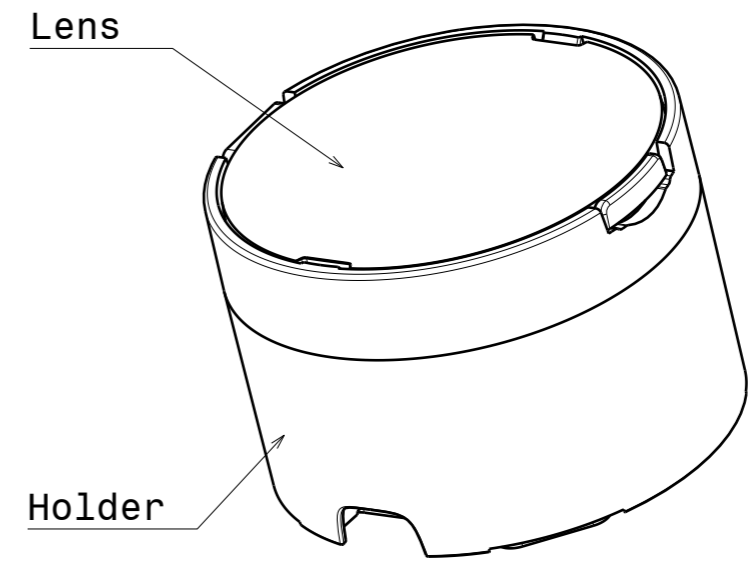
LED	Viewing	Light	Effi-	cd/lm	Connector
	Angle	Beam	ciency		
XP-E	7 deg	Real spot	94 %	-	-
XP-G	10 deg	Real spot	94 %	-	-
XP-G2	10 deg	Real spot	94 %	21.000	-
XP-E2	8 deg	Real spot	90 %	44.000	-
XP-L HI	10 deg	Real spot	89 %	20.000	-
H35C1 (LEMWA33)	11 deg	Real spot	88 %	18.200	-
NCSxx19A	8 deg	Real spot	86 %	26.400	-
NVSW3x9A	12 deg	Real spot	83 %	10.200	-
Z5	sim: 10	Real spot	94 %	-	-
Z8Y22P	sim: 12	Real spot	sim: 92 %	sim: 13.430-	-

Relative intensity of CA11481_LXP2-RS-(XPE2)

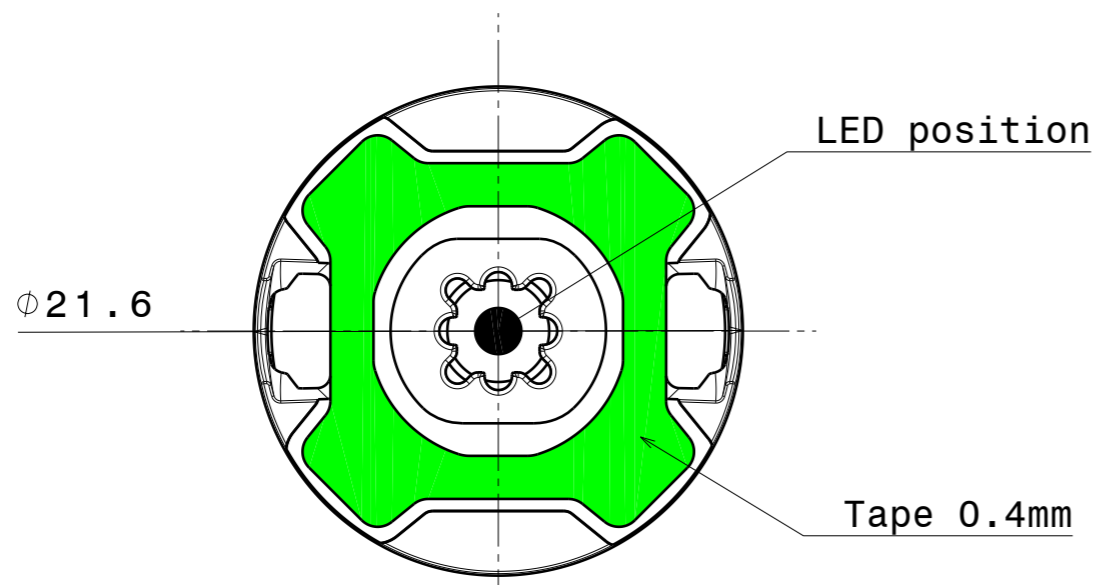




Front view
Scale: 3:1



Isometric view
Scale: 3:1



Bottom view
Scale: 3:1

INDEX	DESCRIPTION	MATERIAL	COLOUR
1	Lens	PMMA	
2	Holder	PC	black
3	Tape	PU 2-sided foam tape	adhesive

Tolerances if not otherwise shown
According to DIN ISO 2768-1
Linear measures:
Up to 30mm class M, otherwise class C.
According to DIN ISO 2768-2
Form and position: class L

LEDiL LediL Oy
Salorankatu 10
FIN 24240 SALO
Finland

THIRD ANGLE PROJECTION:

DRAWING TITLE
Datasheet_LXP2-Series

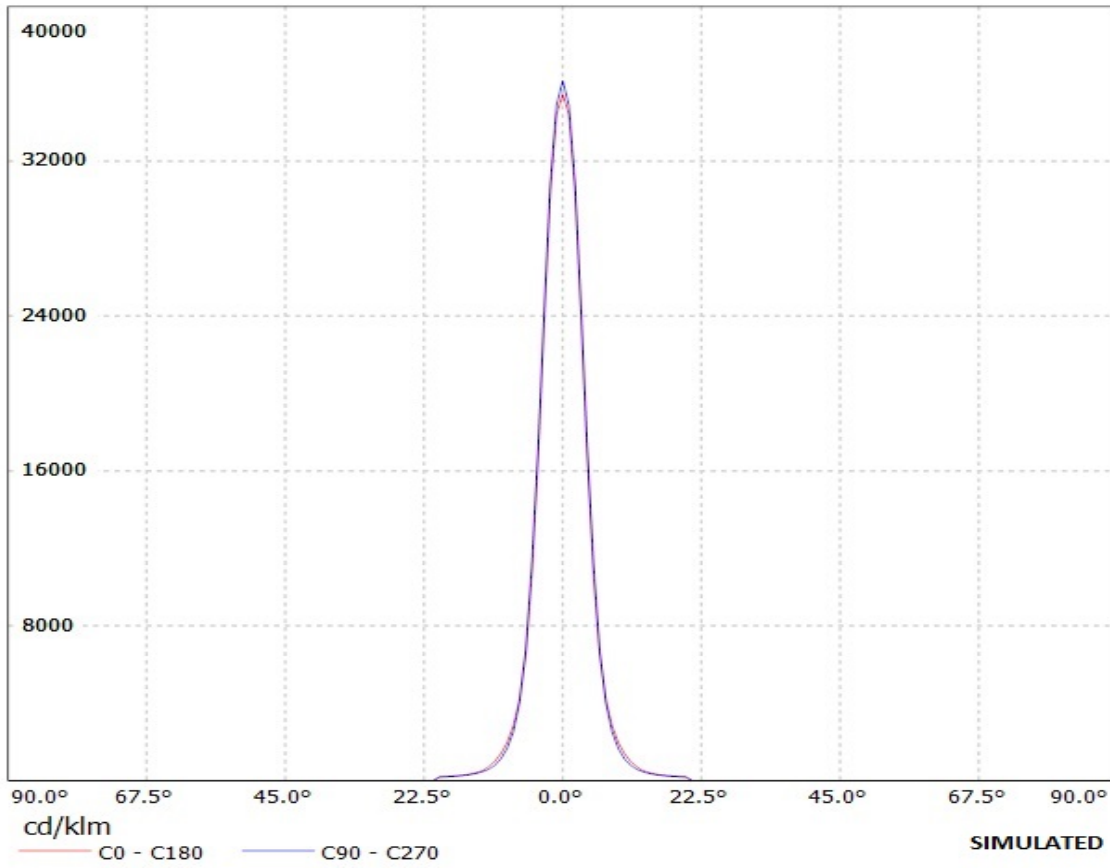
This drawing is the property of LEDiL Oy. It may not be reproduced, copied or communicated without a written agreement with LEDiL Oy.

SIZE **A3** PART NUMBER -

SCALE **3:1** WEIGHT - SHEET **1/1**

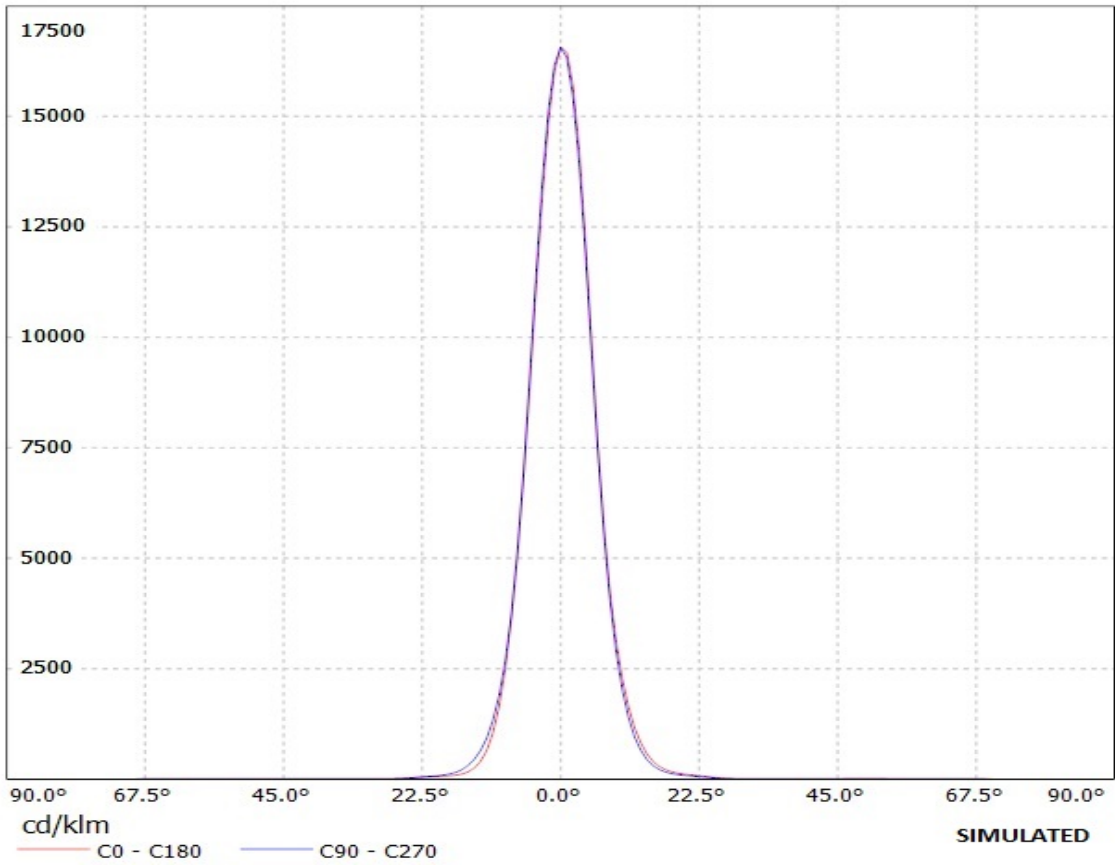
Ledil Oy CA11481_LXP2-RS CA11481_LXP2-RS / LDC (Linear)

Luminaire: Ledil Oy CA11481_LXP2-RS CA11481_LXP2-RS
Lamps: 1 x Cree XP-E (White)

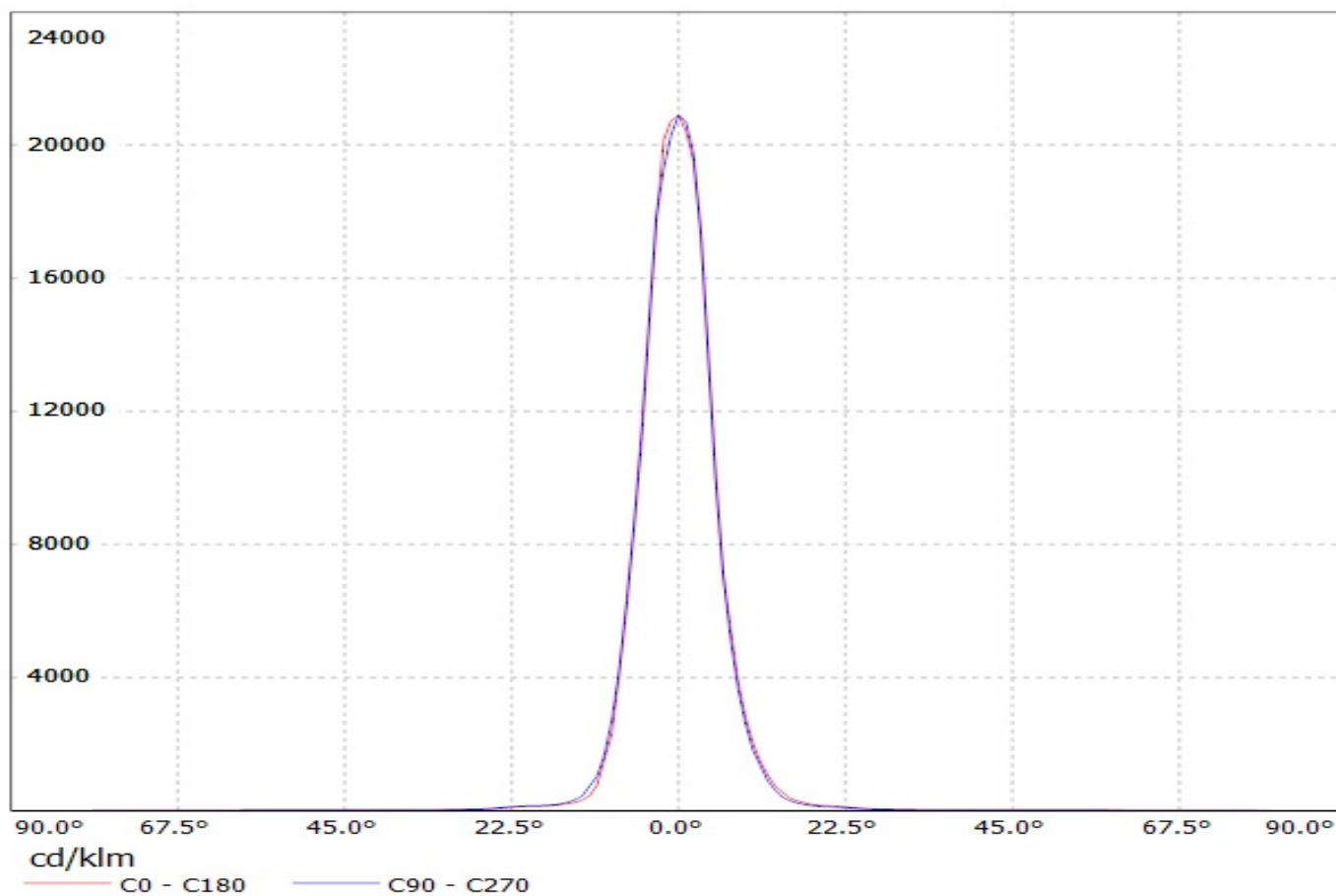


Ledil Oy CA11481_LXP2-G-RS LOR=94% / LDC (Linear)

Luminaire: Ledil Oy CA11481_LXP2-G-RS LOR=94%
Lamps: 1 x Cree XP-G 89lm 250mA



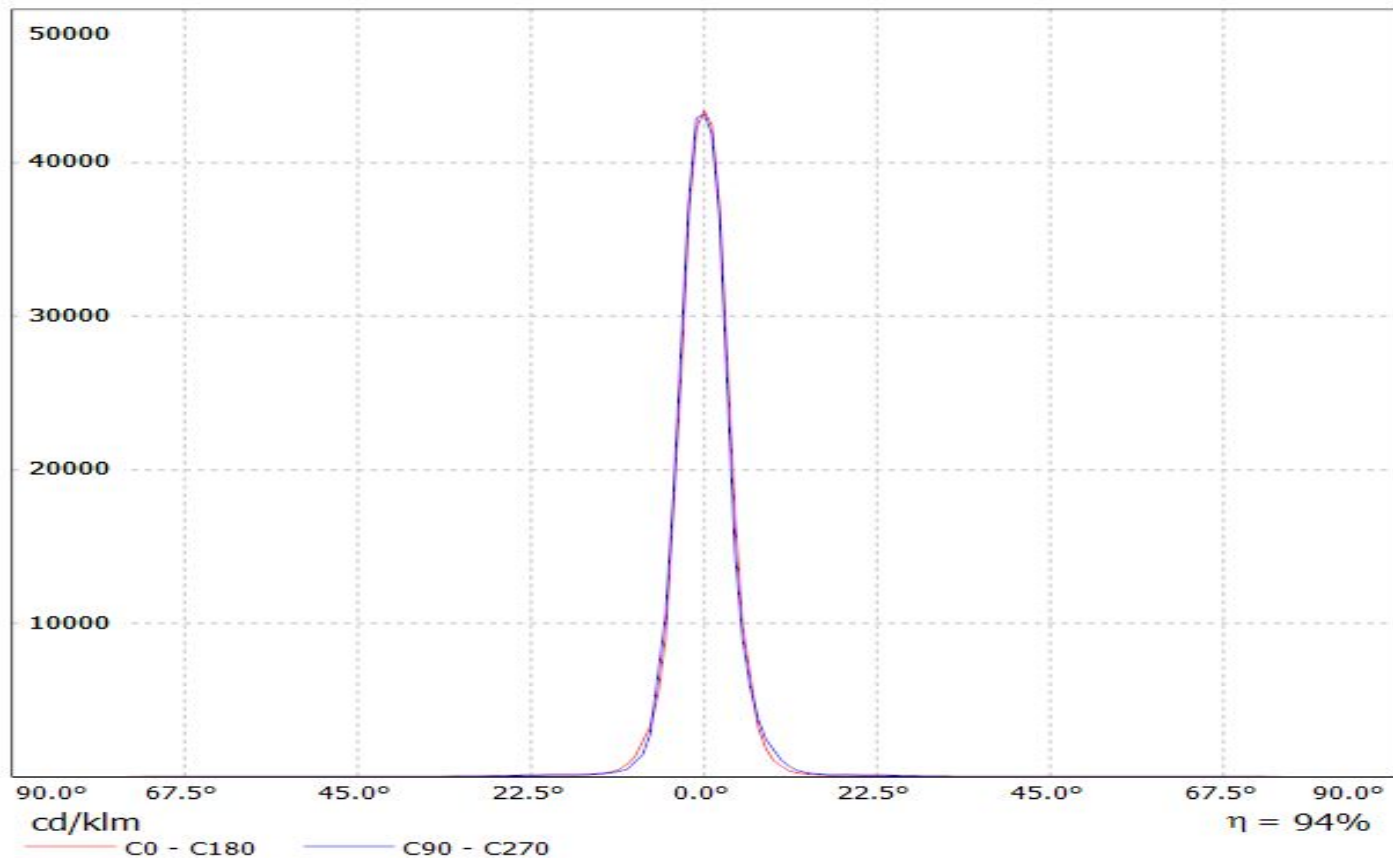
Valaisin: LEDIL OY CA11481_LXP2-RS_(XP-G2) Efficiency=94%
Lamput: 1 x Cree XP-G2 (109.1lm @ 250mA)



LEDiL Oy CA11481 LXP2-RS_(XP-E2) Eff.90.0% / LDC (Linear)

Luminaire: LEDiL Oy CA11481 LXP2-RS_(XP-E2) Eff.90.0%

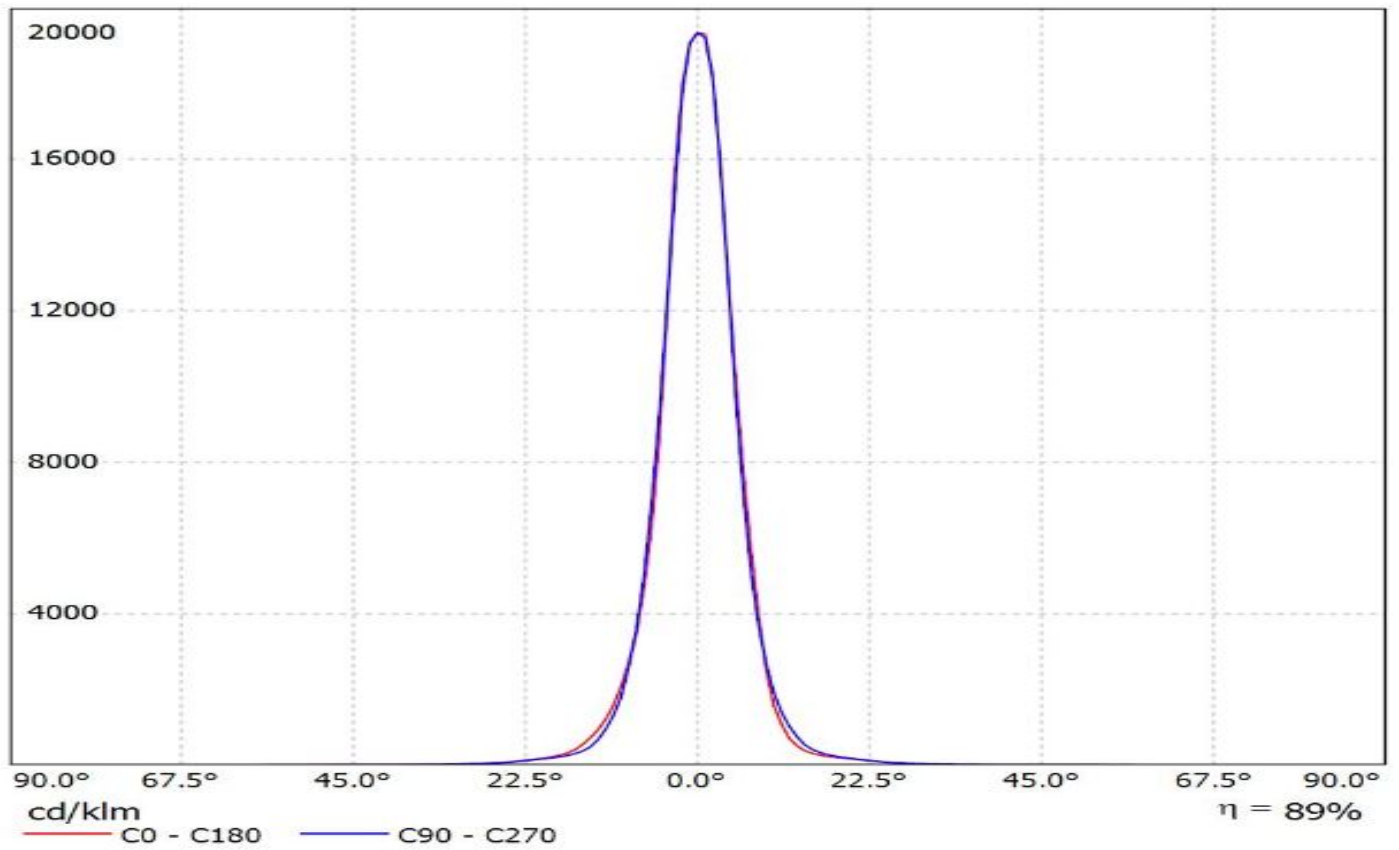
Lamps: 1 x CREE_XP-E2_(XPEBWT-L1-7B4-Q4-0-01)_85.49lm@250mA_P=0.745802W_I=249.9mA



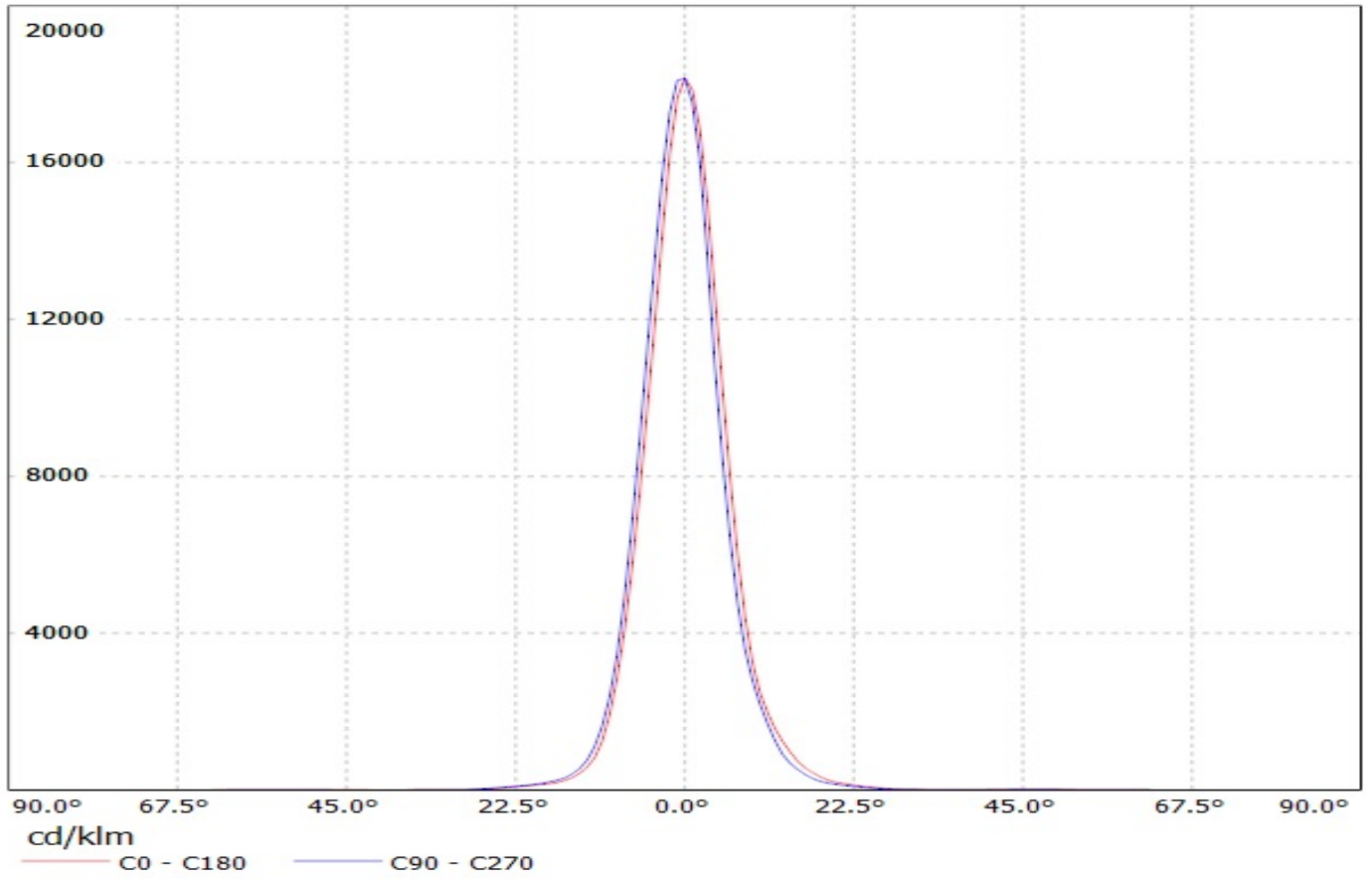
Ledil CA11481_LXP2-RS_(XP-L_HI) / LDC (Linear)

Luminaire: Ledil CA11481_LXP2-RS_(XP-L_HI)

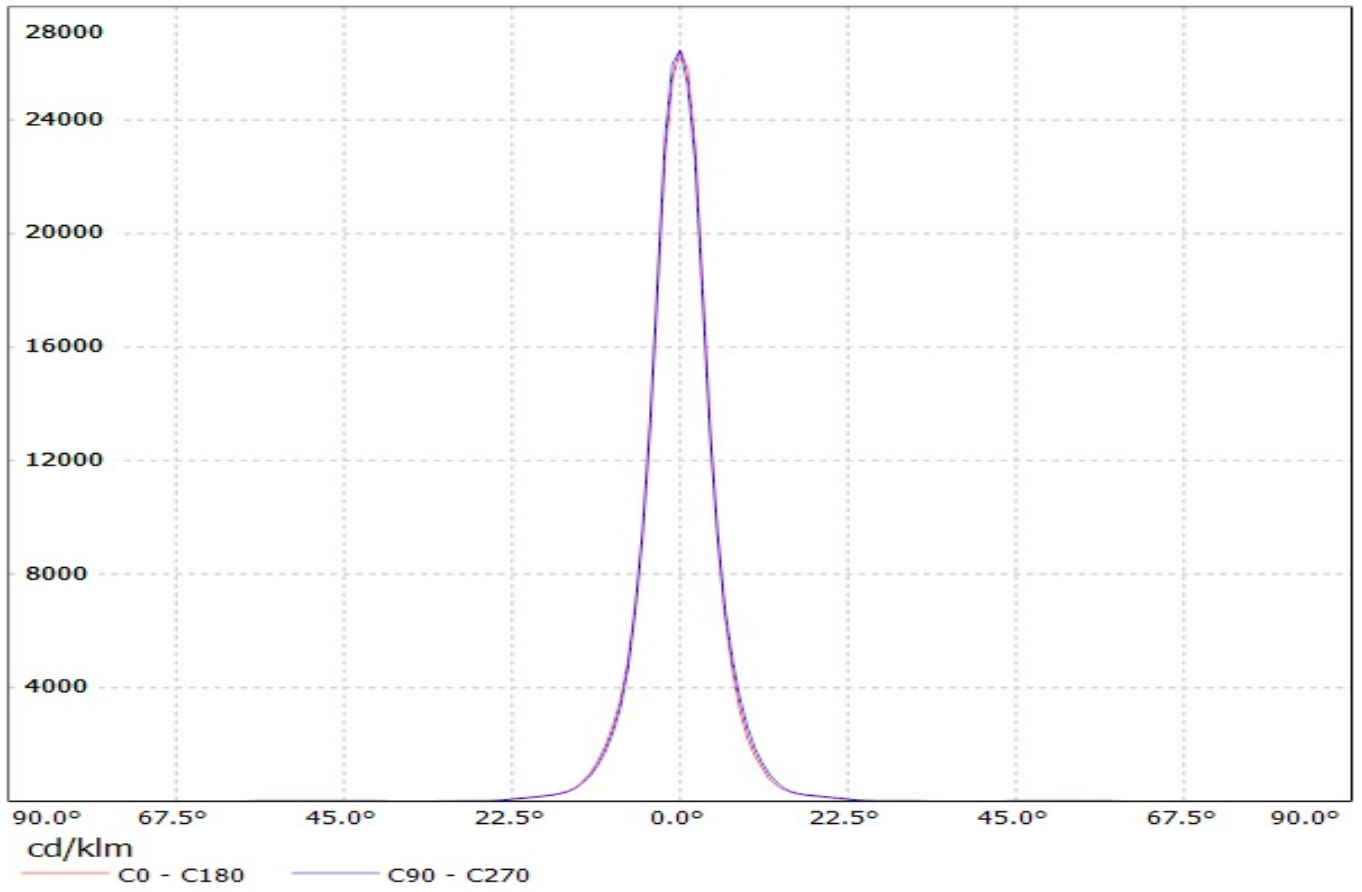
Lamps: 1 x CREE_XP-L_HI_116.971lm@250mA_P=0.75W_I=0.25A



Luminaire: Ledil Oy CA11481_LXP2-RS_(3535_Ceramic_gen2) Efficiency=88%
Lamps: 1 x LG 3535 Ceramic gen2 (PKG5700K) 116lm @ 250mA CCT=6200K P=0.7W I=250mA

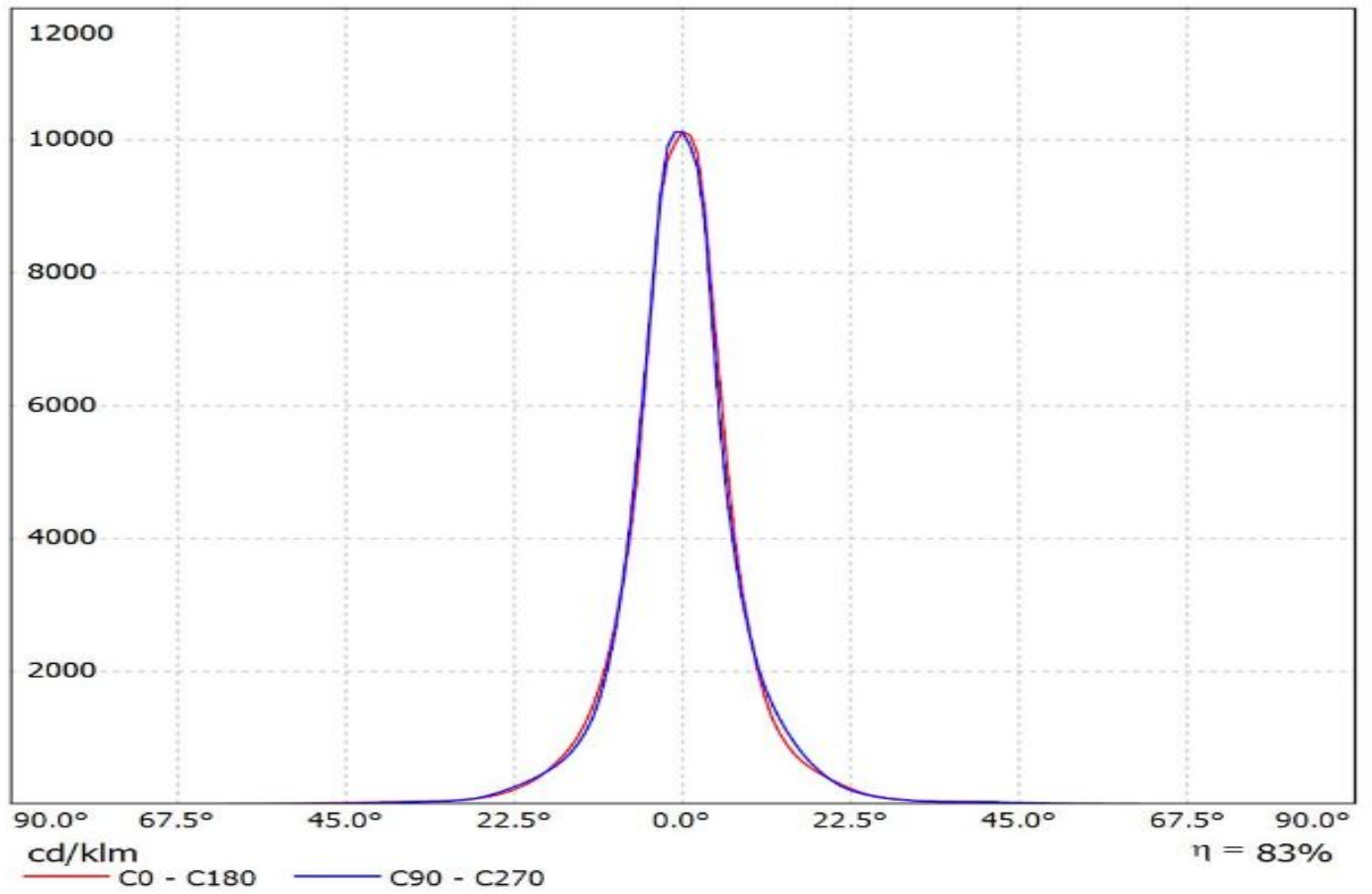


Luminaire: Ledil Oy CA11481_LXP2-RS_(NCSxx19A) Efficiency=86%
Lamps: 1 x Nichia NCSxx19A 69lm @ 250mA CCT=3600K P=0.8W I=250mA

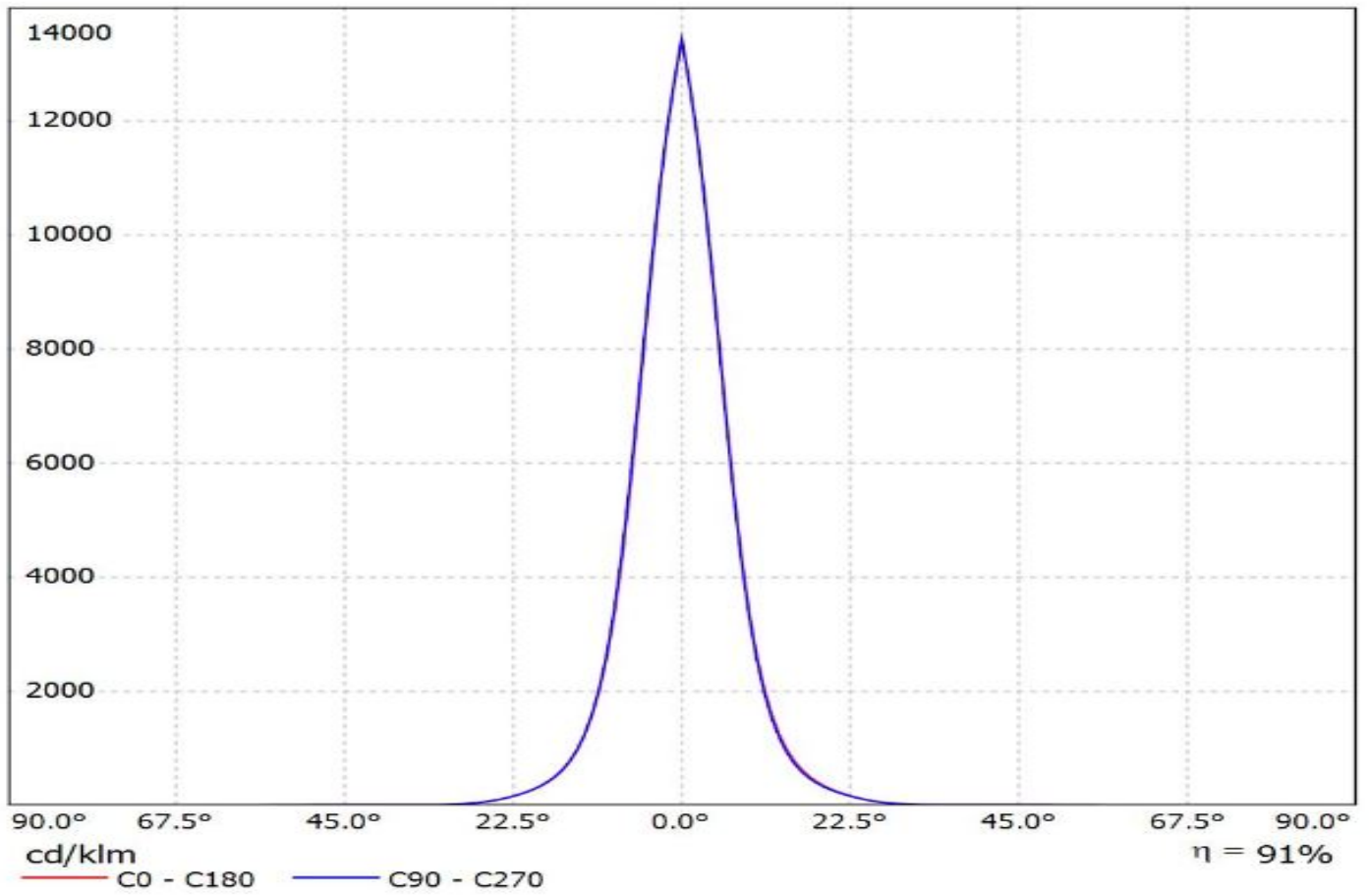


Luminaire: Ledil CA11481_LXP2-RS_(NVSW319AE)

Lamps: 1 x Nichia_NVSW319AE_126.239lm@250mA_P=0.729675W_I=0.25A



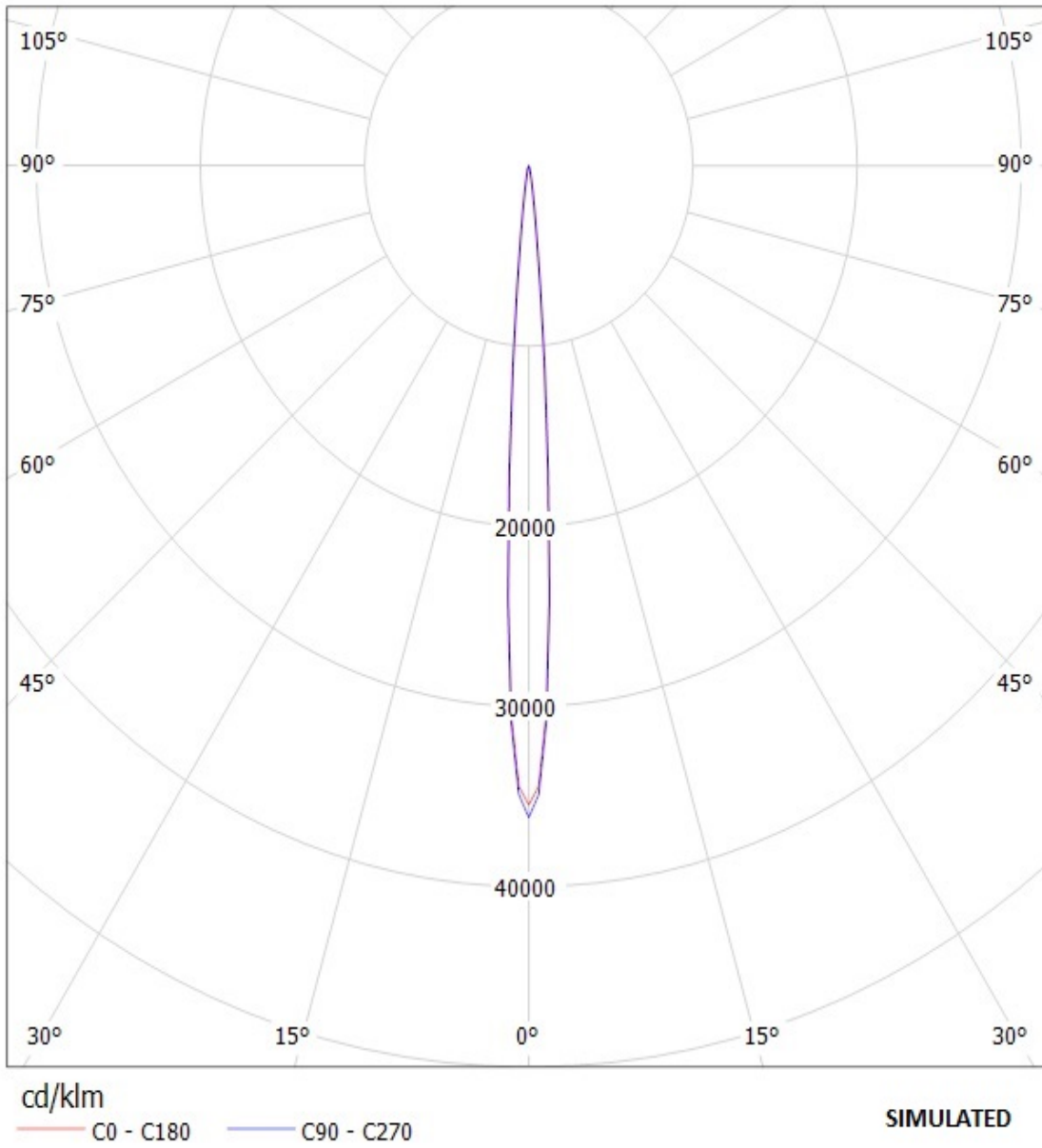
Luminaire: Ledil Oy CA11481_LXP2-RS_SEOUL_Z8Y22+_SIMULATED
Lamps: 1 x SEOUL Z8Y22 Plus



Ledil Oy CA11481_LXP2-RS CA11481_LXP2-RS / LDC (Polar)

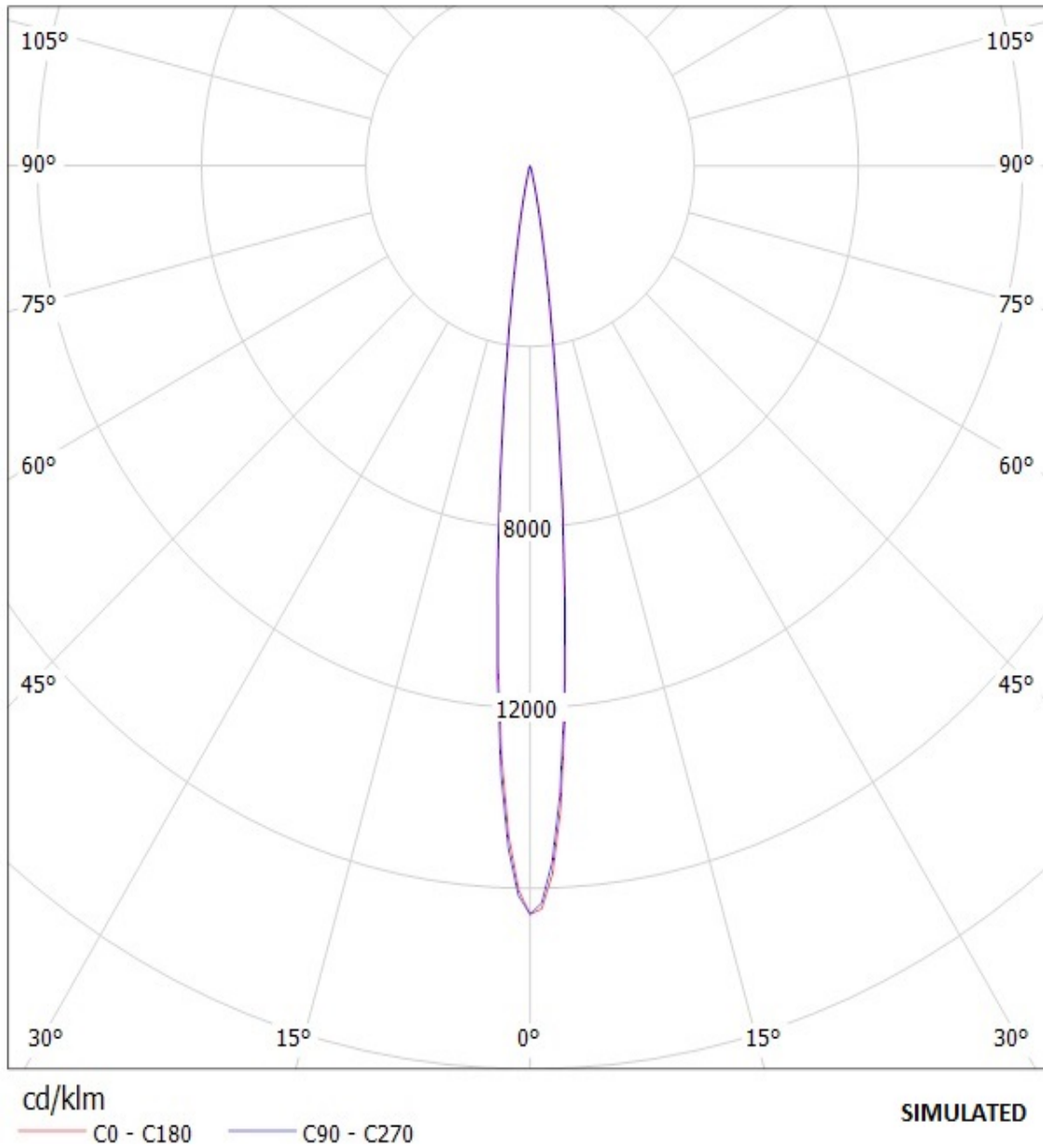
Luminaire: Ledil Oy CA11481_LXP2-RS CA11481_LXP2-RS

Lamps: 1 x Cree XP-E (White)

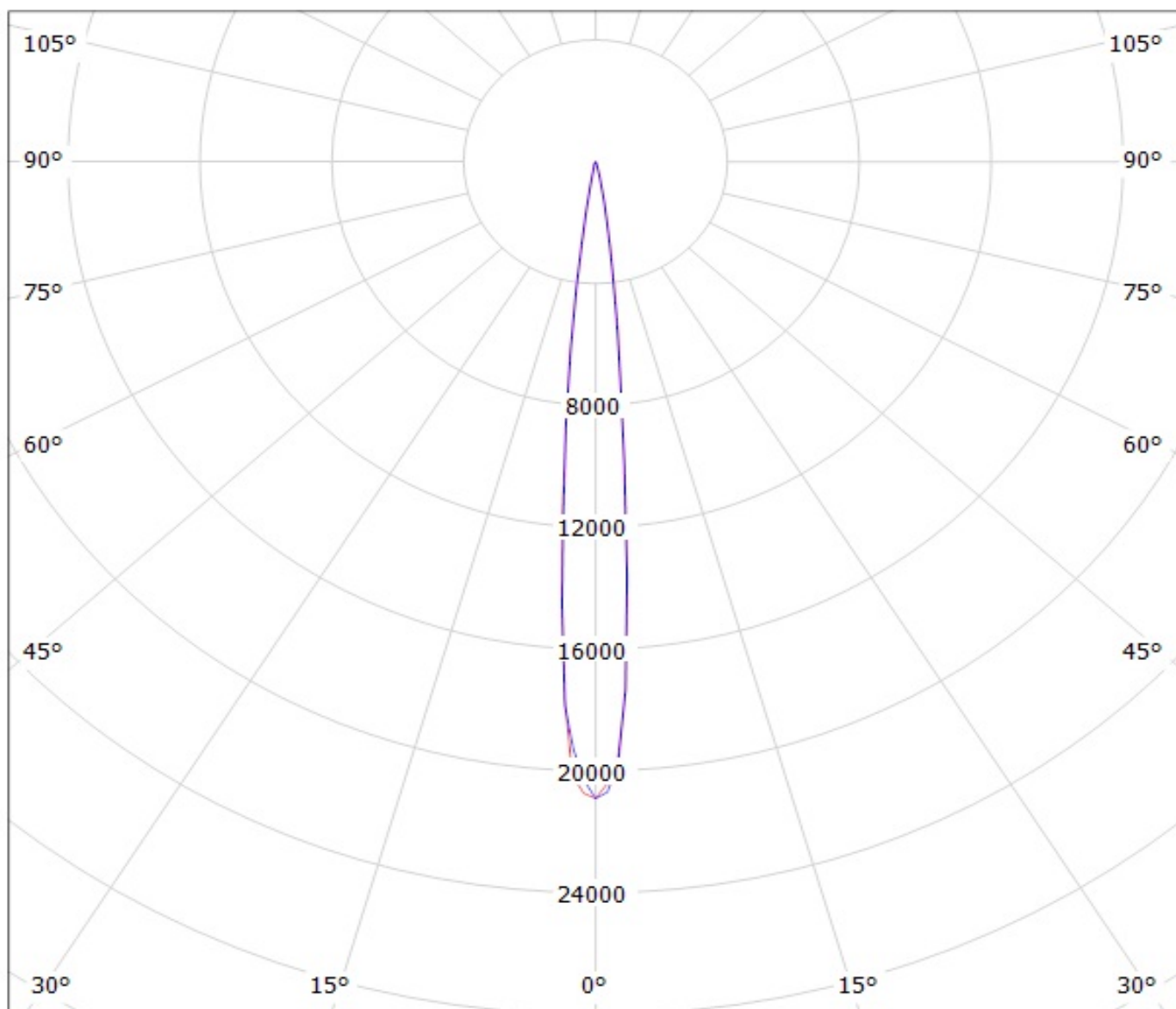


Ledil Oy CA11481_LXP2-G-RS LOR=94% / LDC (Polar)

Luminaire: Ledil Oy CA11481_LXP2-G-RS LOR=94%
Lamps: 1 x Cree XP-G 89lm 250mA



Valaisin: LEDIL OY CA11481_LXP2-RS_(XP-G2) Efficiency=94%
Lamput: 1 x Cree XP-G2 (109.1lm @ 250mA)



cd/klm

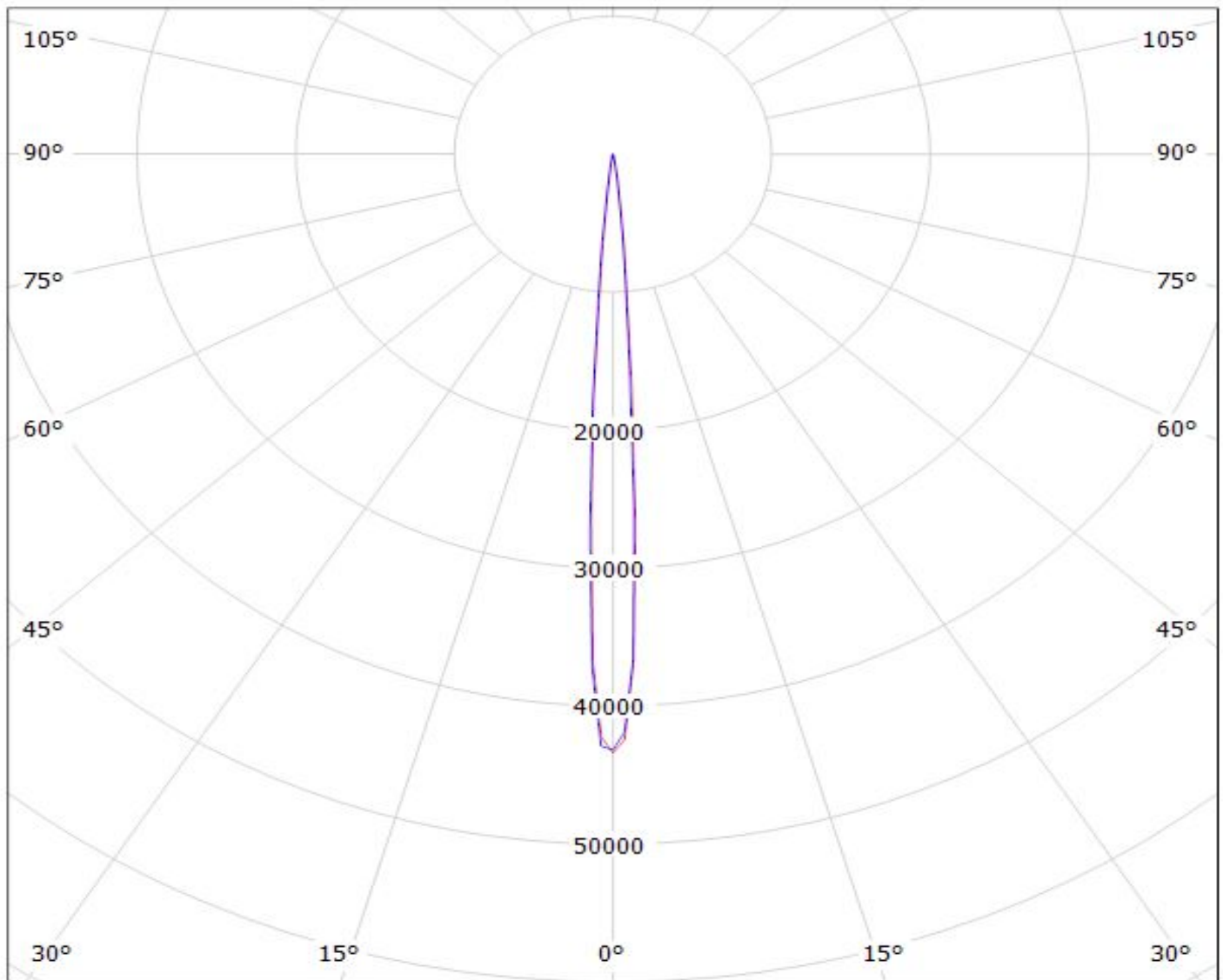
— C0 - C180

— C90 - C270

LEDiL Oy CA11481 LXP2-RS_(XP-E2) Eff.90.0% / LDC (Polar)

Luminaire: LEDiL Oy CA11481 LXP2-RS_(XP-E2) Eff.90.0%

Lamps: 1 x CREE_XP-E2_(XPEBWT-L1-7B4-Q4-0-01)_85.49lm@250mA_P=0.745802W_I=249.9mA



cd/klm

$\eta = 94\%$

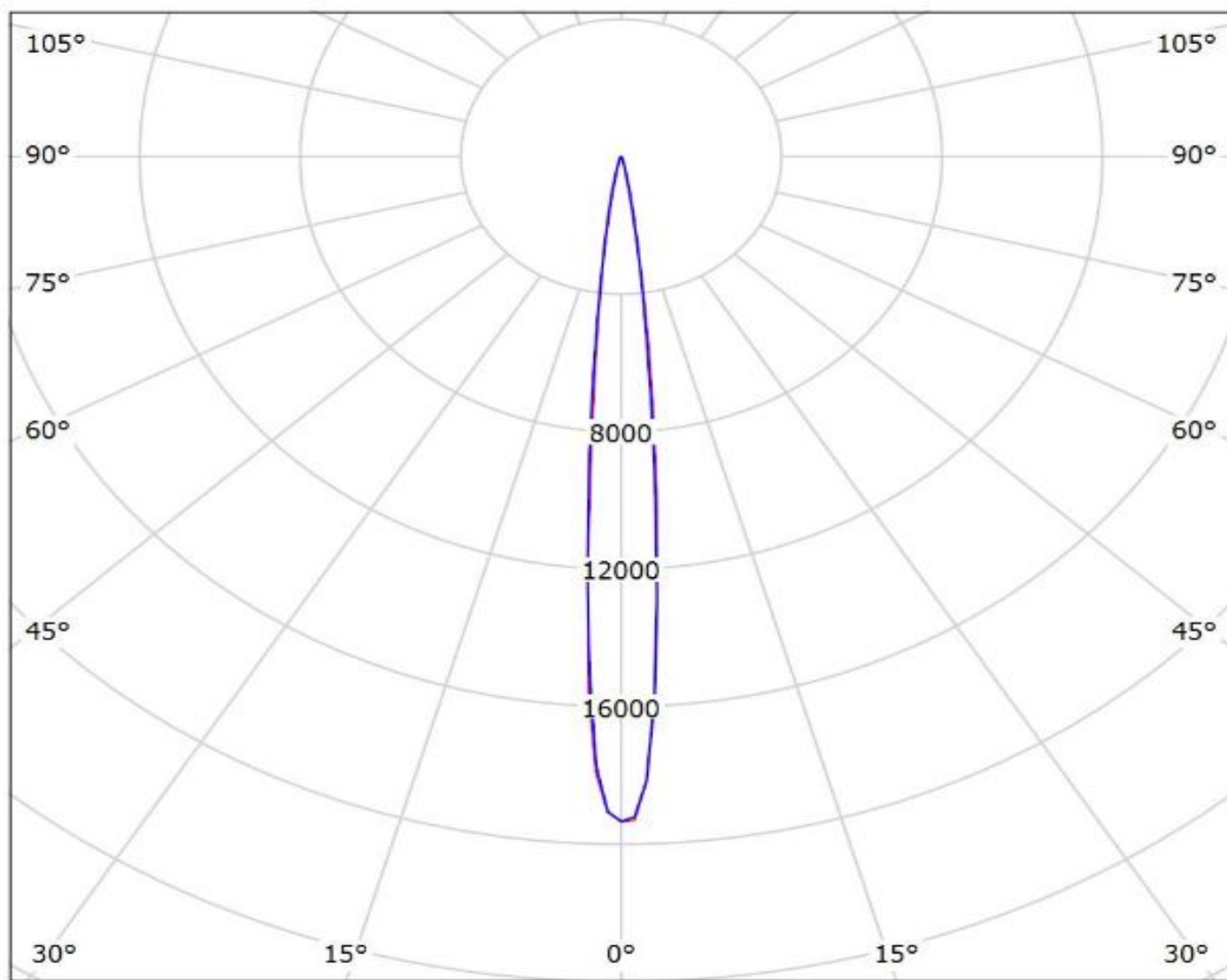
— C0 - C180

— C90 - C270

Ledil CA11481_LXP2-RS_(XP-L_HI) / LDC (Polar)

Luminaire: Ledil CA11481_LXP2-RS_(XP-L_HI)

Lamps: 1 x CREE_XP-L_HI_116.971lm@250mA_P=0.75W_I=0.25A



cd/klm

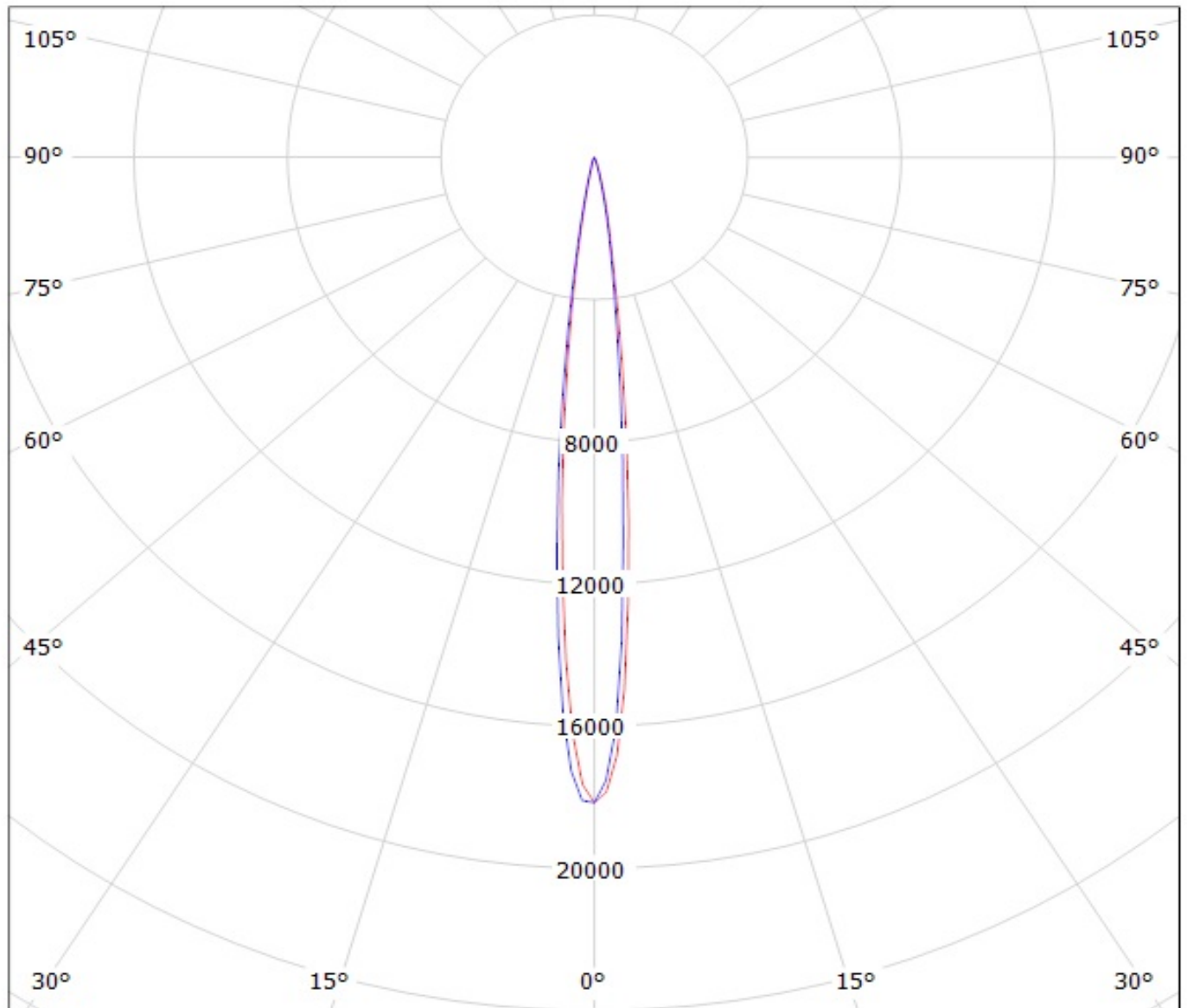
— C0 - C180

— C90 - C270

$\eta = 89\%$

Luminaire: Ledil Oy CA11481_LXP2-RS_(3535_Ceramic_gen2) Efficiency=88%

Lamps: 1 x LG 3535 Ceramic gen2 (PKG5700K) 116lm @ 250mA CCT=6200K P=0.7W I=250mA

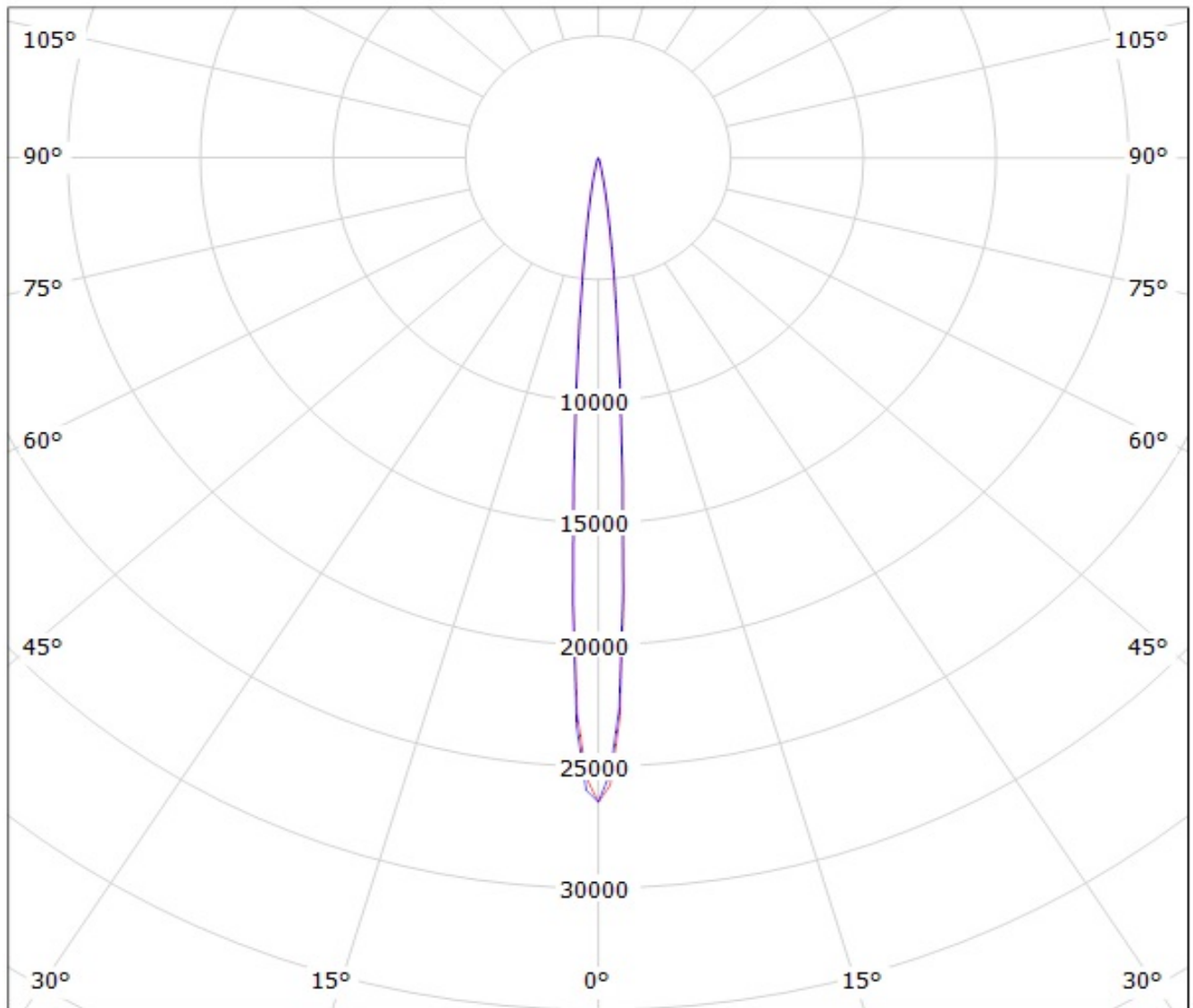


cd/klm

— C0 - C180

— C90 - C270

Luminaire: Ledil Oy CA11481_LXP2-RS_(NCSxx19A) Efficiency=86%
Lamps: 1 x Nichia NCSxx19A 69lm @ 250mA CCT=3600K P=0.8W I=250mA



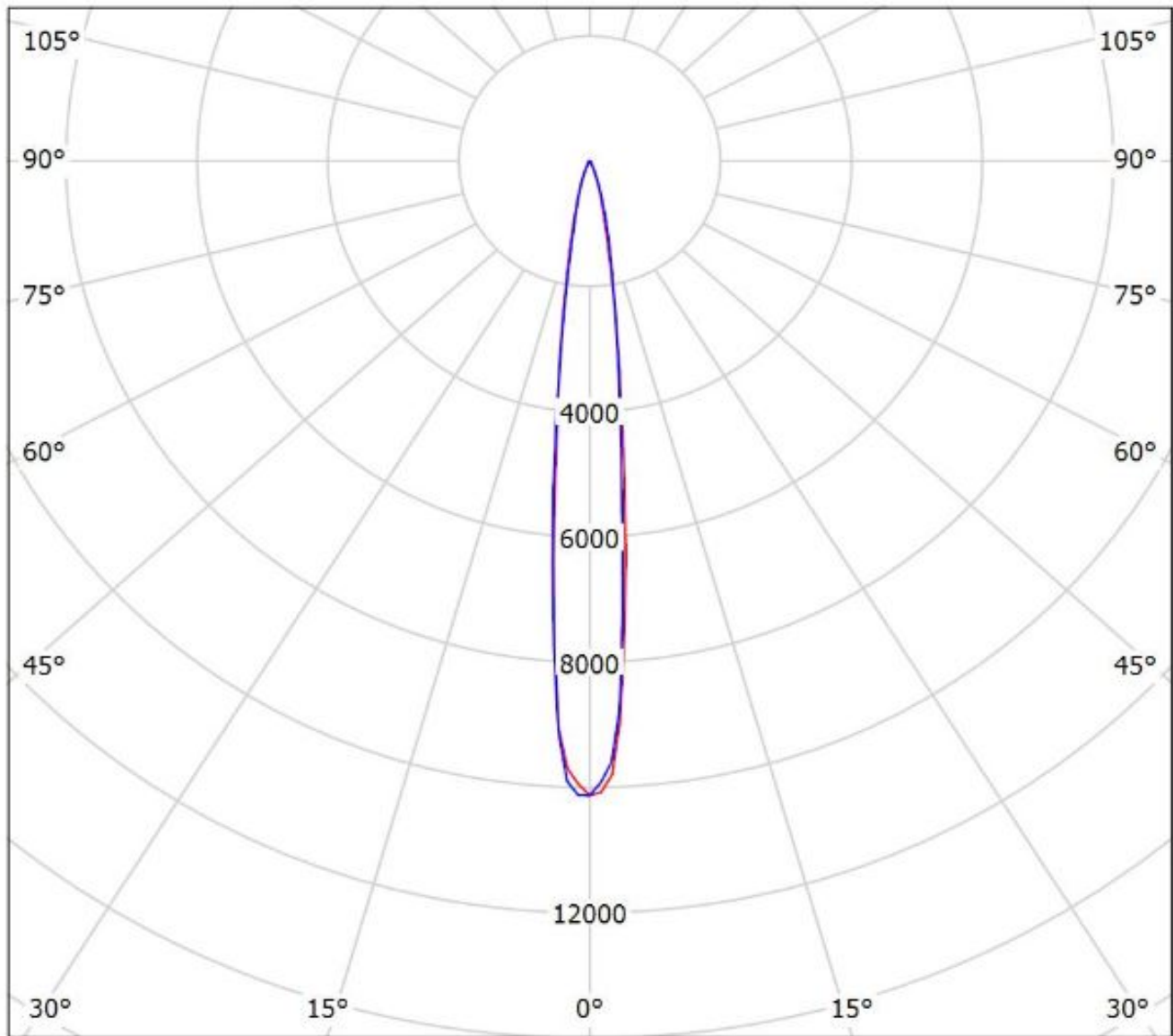
cd/klm

— C0 - C180

— C90 - C270

Luminaire: Ledil CA11481_LXP2-RS_(NVSW319AE)

Lamps: 1 x Nichia_NVSW319AE_126.239lm@250mA_P=0.729675W_I=0.25A



cd/klm

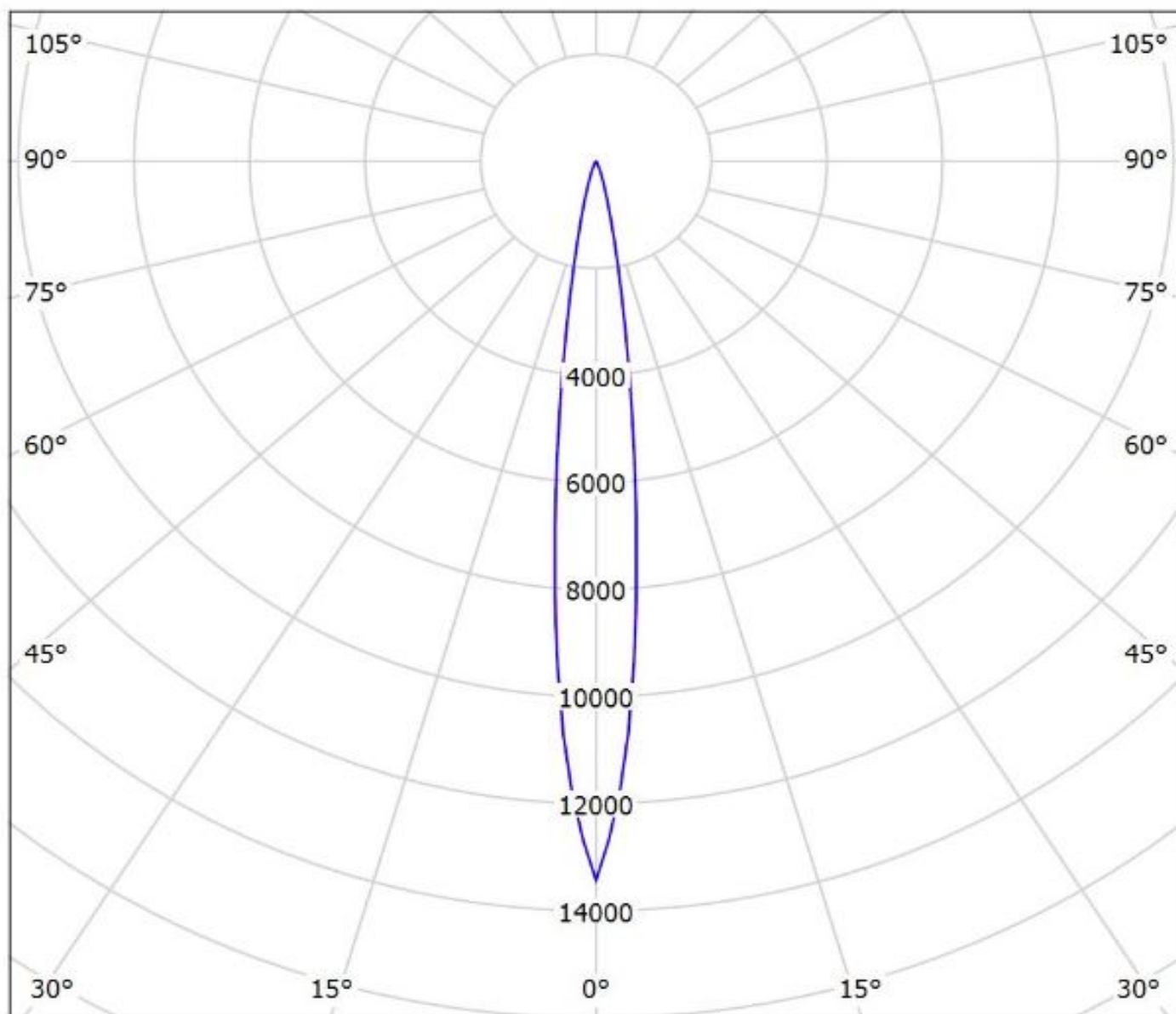
— C0 - C180

— C90 - C270

$\eta = 83\%$

Luminaire: Ledil Oy CA11481_LXP2-RS_SEOUL_Z8Y22+_SIMULATED

Lamps: 1 x SEOUL Z8Y22 Plus



cd/klm

— C0 - C180

— C90 - C270

$\eta = 91\%$

NOTE: The typical divergence will be changed by different color, chip size and chip position tolerance. The typical total divergence is the full angle measured where the luminous intensity is half of the peak value.