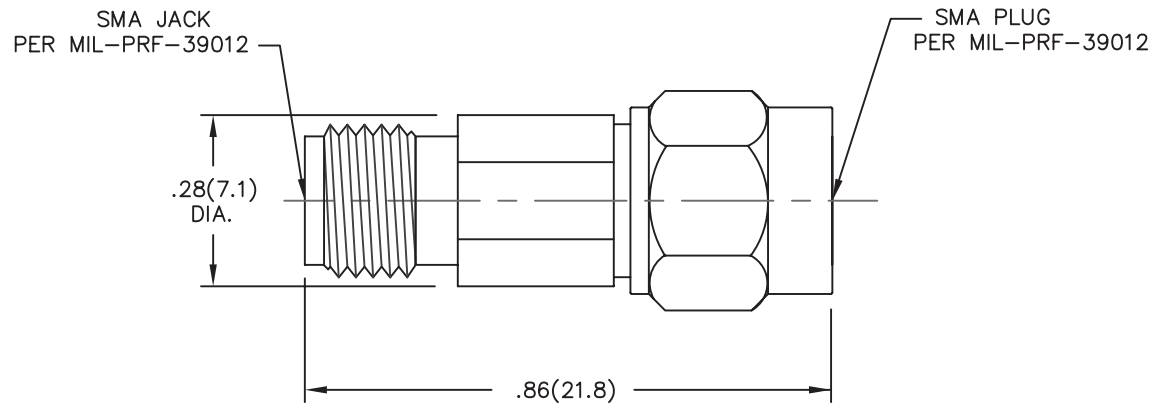


MODEL NUMBER  
ADT-2593-MF-SMA-02

NOTES:

- 1.0 MATERIALS:
  - 1.1 HOUSING & NUT: STAINLESS STEEL PER ASTM-A582, TYPE 303.
  - 1.2 CENTER CONTACT: BERYLLIUM COPPER ROD ALLOY C172, PER ASTM-B196.
  - 1.3 DIELECTRIC: PTFE FLUOROCARBON PER ASTM-D1457.
- 2.0 PLATING:
  - 2.1 HOUSING & NUT: PASSIVATED PER MIL-F-14072 AND QQ-P-35
  - 2.2 CENTER CONTACT: GOLD PER MIL-G-45204, TYPE II, CLASS 2.
- 3.0 ELECTRICAL SPECIFICATIONS:
  - 3.1 DC to 18.0 GHz
  - 3.2 VSWR: 1.05 + .005f(GHz)
  - 3.3 IMPEDANCE: 50 OHMS
- 4.0 DIMENSIONS IN PARENTHESIS ARE IN MILLIMETERS.



DWG NO. WAS: 02755-01-00

REV.	DESCRIPTION	DATE
I	RELEASED	11/20/92
A	ECR 1188	4/24/91
B	ECR 6545	6/30/89
C	ECN 10356	4/19/91
D	REDRAW ON CAD	11/16/92
D1	ADDED TITLEBLOCK	3/10/05

UNLESS OTHERWISE NOTED DIMENSIONS ARE IN INCHES AND TOLERANCES ARE:  3 PLACE DECIMALS ±.005 2 PLACE DECIMALS ±.02 FRACTIONS ±1/64 PARALLELITY: T.I.R. _____ FLATNESS: T.I.R. _____ CONCENTRICITY: T.I.R. _____ ANGLES AND PERPENDICULARITY: ±1'	FSCM NO. <b>34078</b>	<b>MIDWEST MICROWAVE</b>		
	NOTICE: The information contained in this drawing is proprietary and must not be used without the permission of Midwest Microwave	TITLE ADAPTER OUTLINE DRAWING		
		DRAWN/DATE A.BEATTY 11/16/92	ENG./DATE A.OSGA 11/19/92	DRAWING NUMBER ADT-2593-MF-SMA-02-01
	CHECKED/DATE M.HOLLMAN 11/18/92	APPROVED/DATE	REV. D1	SCALE: 5=1
SHEET 1 of 1				