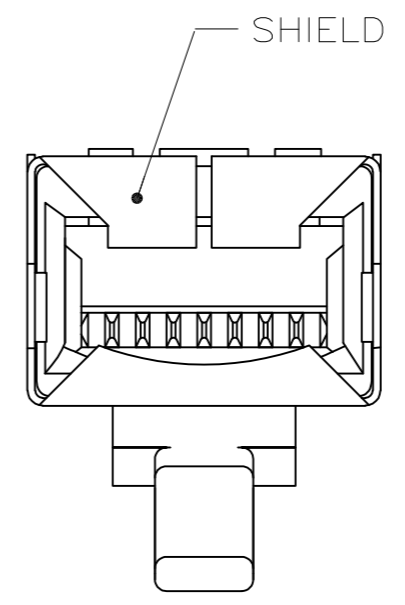
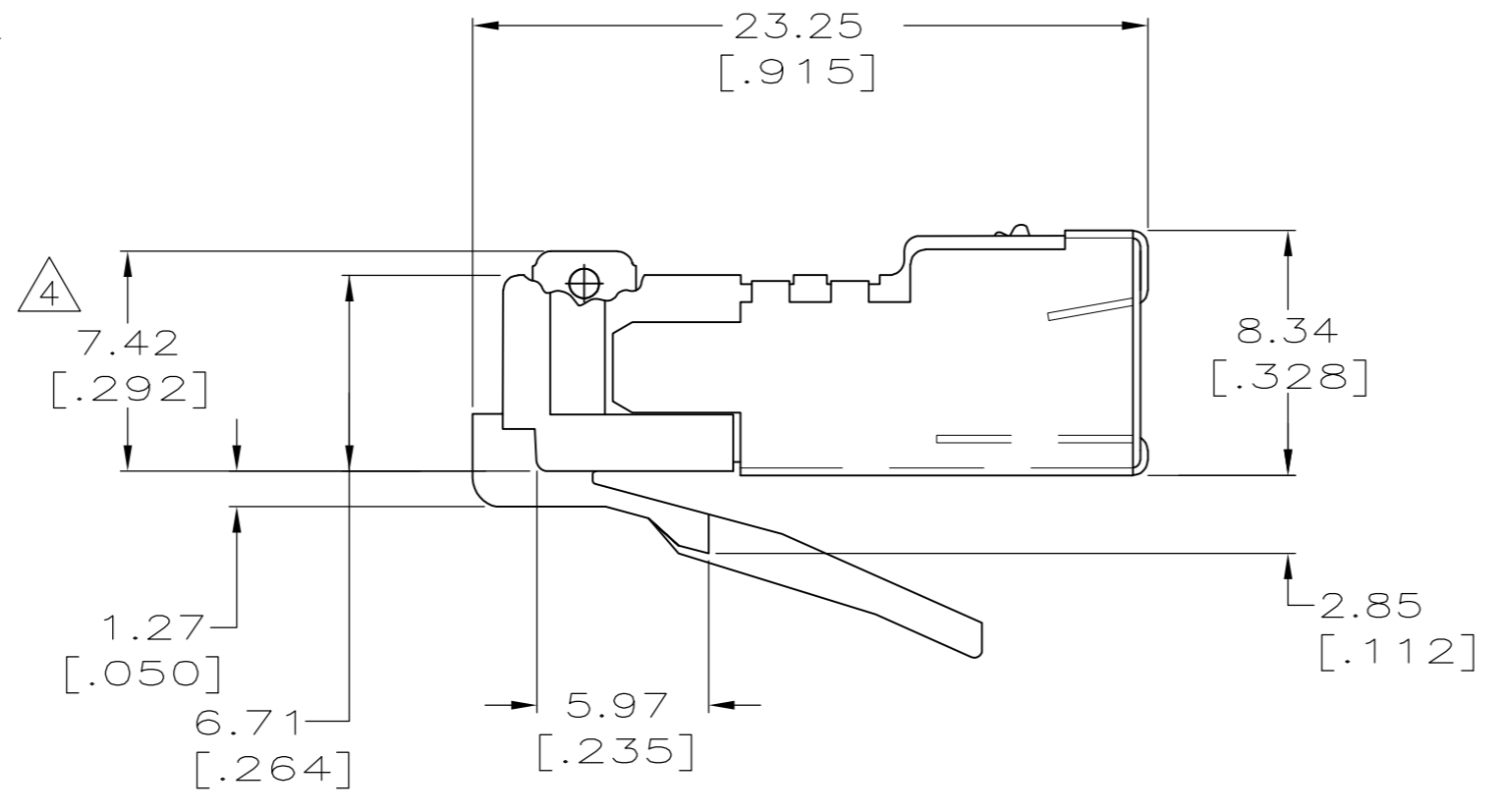
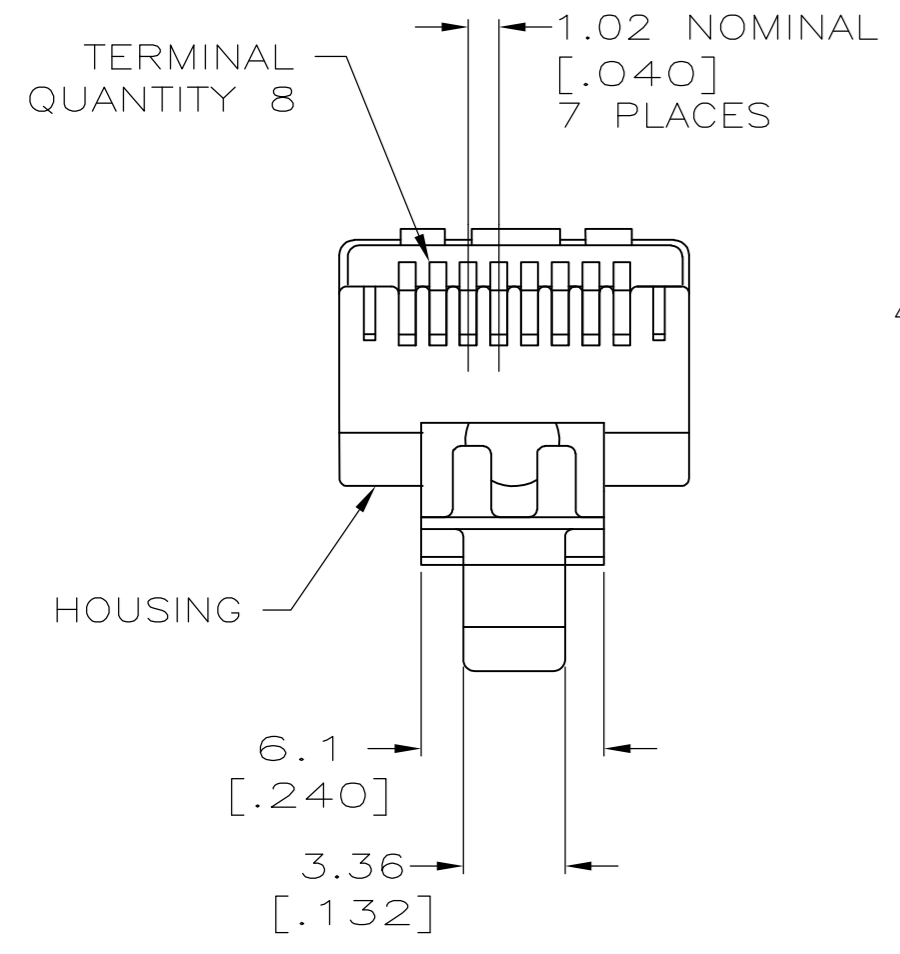
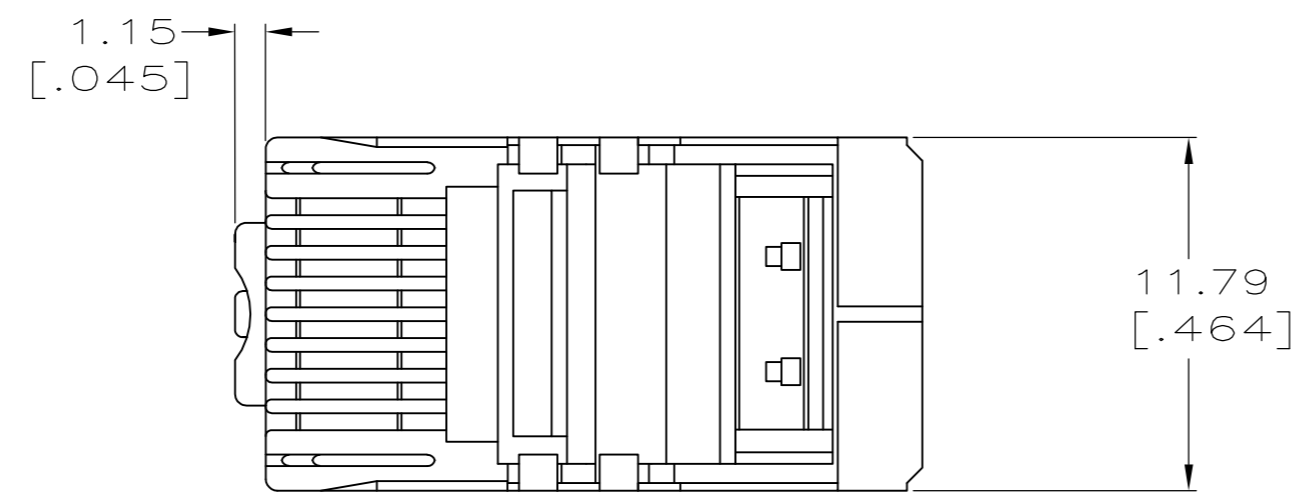


THIS DRAWING IS UNPUBLISHED. RELEASED FOR PUBLICATION
 © COPYRIGHT - By - ALL RIGHTS RESERVED.

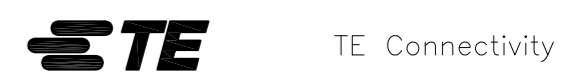
LOC		DIST		REVISIONS			
P	LTR	DESCRIPTION		DATE	DWN	APVD	
HM	00	G		REV PER ECO-12-012918	09JUL2012	JM	JG



- ① DIMENSIONS ARE MAXIMUM UNLESS OTHERWISE SPECIFIED.
- ② MATERIAL: HOUSING - POLYCARBONATE, CLEAR
 TERMINAL - PHOSPHOR BRONZE, PLATED WITH 1.27µm [.000050] MINIMUM THICK GOLD IN LOCALIZED GOLD PLATE AREA, OVER 2.54µm [.000100] MINIMUM THICK NICKEL UNDERPLATE.
 SHIELD - COPPER ALLOY WITH 1.27µm [.000050] MINIMUM SEMI-BRIGHT (SATIN) NICKEL.
- 3. PLUG WILL ACCEPT 24 TO 28 AWG STRANDED WIRE, 0.74-0.99 [.029-.039] DIAMETER, WITH A 5.08 [.200] DIAMETER MAXIMUM JACKET.
- ④ TERMINATED DIMENSION 6.15 [.242] MAXIMUM.
- ⑤ 500 ASSEMBLIES PER PACKAGE.
- ⑥ 100 ASSEMBLIES PER PACKAGE.
- ⑧ SEE RESTRICTED CUSTOMER DRAWING 5-569532-5.
- ⑨ PACKAGED 10,000 ASSEMBLIES PER POLYBAG.

⑧	5-569532-5
⑥	5-569532-3
⑤	5-569532-2
⑨	5-569532-1
PACKAGED	PART NUMBER

THIS DRAWING IS A CONTROLLED DOCUMENT.		DWN	L. HALL	25OCT2006
DIMENSIONS: mm [INCHES]		CHK	C. DOOLEY	30OCT2006
TOLERANCES UNLESS OTHERWISE SPECIFIED:		APVD	C. DOOLEY	30OCT2006
0 PLC	± -	PRODUCT SPEC	108-1163	
1 PLC	± -	APPLICATION SPEC	114-6016	
2 PLC	± -	WEIGHT	-	
3 PLC	± -	CUSTOMER DRAWING	SCALE 4:1 SHEET 1 of 1 REV G	
4 PLC	± -			
ANGLES	± -			
FINISH	②			



MODULAR PLUG ASSEMBLY,
 8 POSITION, SHIELDED,
 ROUND CABLE, STRANDED WIRE