

NOTES:

1.0 MATERIALS:

- 1.1 HOUSING & NUTS: STAINLESS STEEL PER ASTM-A582, TYPE 303.
- 1.2 CENTER CONTACT: BERYLLIUM COPPER ROD ALLOY C172, PER ASTM-B196.
- 1.3 DIELECTRIC: PTFE FLUOROCARBON PER ASTM-D1457.

2.0 PLATING:

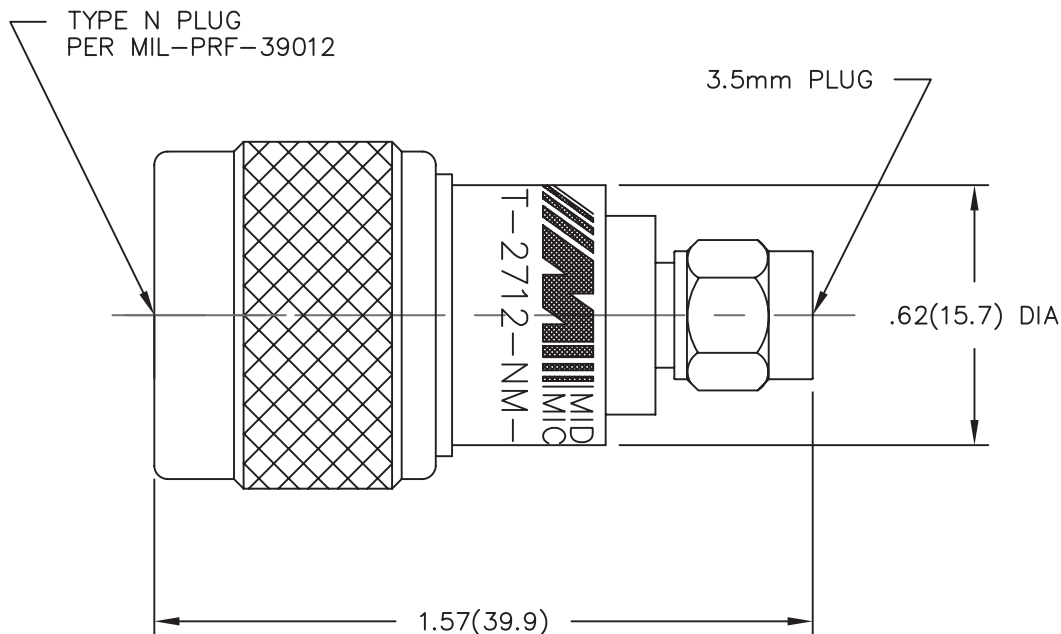
- 2.1 HOUSING & NUTS: PASSIVATED PER MIL-F-14072 & QQ-P-35.
- 2.2 CENTER CONTACT: GOLD PER MIL-G-45204, TYPE II, CLASS 2.

3.0 ELECTRICAL SPECIFICATIONS:

- 3.1 FREQUENCY RANGE: DC to 18.0 GHz
- 3.2 VSWR (MAX.):
  - DC to 4.0 GHz: 1.04:1
  - 4.0 TO 8.0 GHz: 1.07:1
  - 8.0 to 18.0 GHz: 1.12:1
- 3.3 IMPEDANCE: 50 OHMS

4.0 MARKING: MARK UNIT AS SHOWN (REF: INK-02669-27-25)


5.0 DIMENSIONS IN PARENTHESIS ARE IN MILLIMETERS.



MODEL NUMBER  
ADT-2712-NM-3MM-02

DWG. NO. WAS: 04457-01-00

REV.	DESCRIPTION	DATE
-	RELEASED	3/3/83
A	ECR 2802	4/19/83
B	ECR 6545	7/24/88
B1	UPDATE MODEL #	8/10/88
C	UPDATE ON CAD	12/16/83
D	ECN 16983	2/16/99
E	ECN 17597	7/12/00
E1	ADDED TITLEBLOCK	3/16/05

NOTICE: The information contained in this drawing is proprietary and must not be used without the permission of Cinch Connectivity Solutions.  UNLESS OTHERWISE NOTED DIMENSIONS ARE IN INCHES AND TOLERANCES ARE: 3 PLACE DECIMALS ±.005 2 PLACE DECIMALS ±.02 FRACTIONS ±1/64 PARALLELITY: T.I.R. _____ FLATNESS: T.I.R. _____ CONCENTRICITY: T.I.R. _____ ANGLES AND PERPENDICULARITY: ±1°		CAGE CODE <b>34078</b>		<b>MIDWEST MICROWAVE</b>	
				TITLE ADAPTER 3.5MM PLUG TO TYPE N PLUG OUTLINE DRAWING	
DRAWN/DATE M.HOLLMAN 12/16/92		ENG./DATE A.OSGA 12/18/92		DRAWING NUMBER ADT-2712-NM-3MM-02-01	
CHECKED/DATE A.BEATTY 12/18/92		APPROVED/DATE		REV. E1	
SCALE: 5=1				SHEET 1 of 1	