



PRODUCT DATASHEET

Laura series

last update 25/2/2013

DETAILS

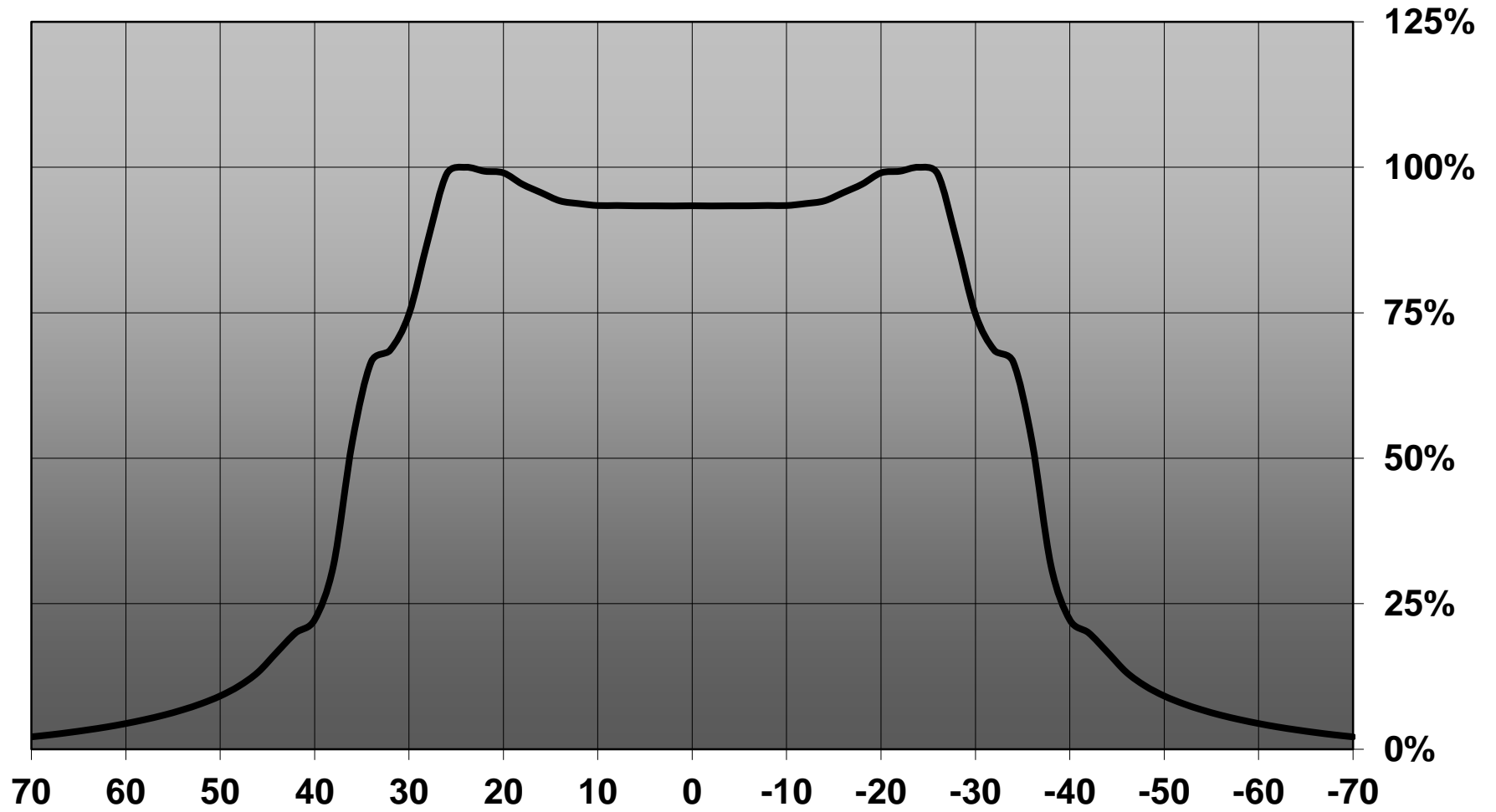
Product Number	CA12981_LAURA-R-XW
Family	Laura
Type	RefAssy
Color	black
Diameter	21,6 x 21,6 mm
Height	13,1 mm
Style	square
Optic Material	
Holder Material	
Fastening	tape
Status	production ready
ROHS Compliant	Yes
Date Updated	25/02/2013



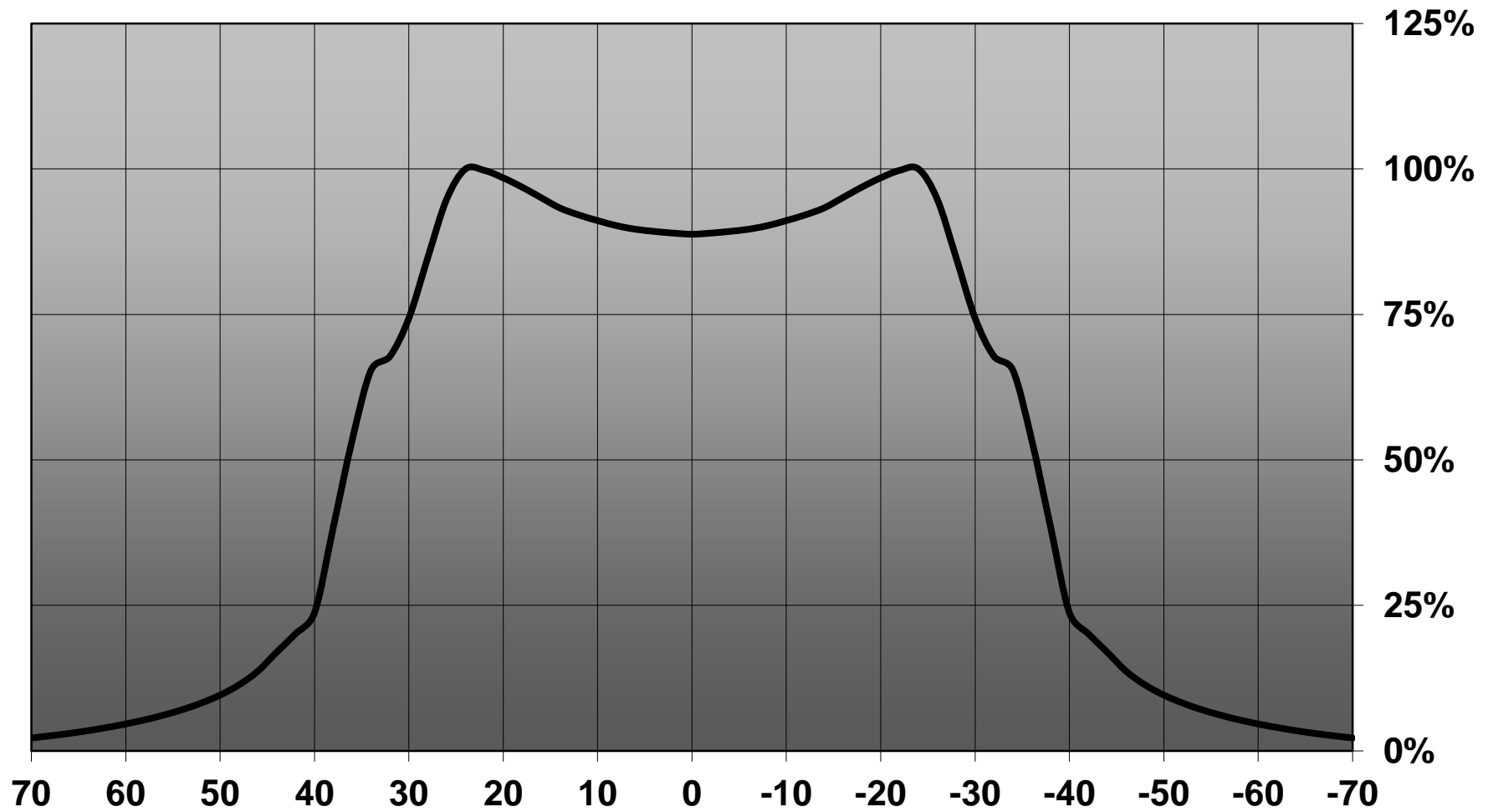
OPTICAL PROPERTIES

LED	Viewing Angle	Light Beam	Efficiency	cd/lm	Connector
XP-E	72 deg	WWW-class	86 %	0.600	-
XP-G	72 deg	WWW-class	86 %	0.590	-

Relative intensity of CA12981_LAURA-REF-XW_(XP-E)



Relative intensity of CA12981_LAURA-REF-XW (XP-G)

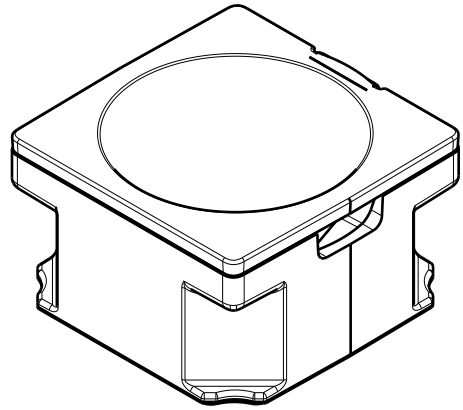
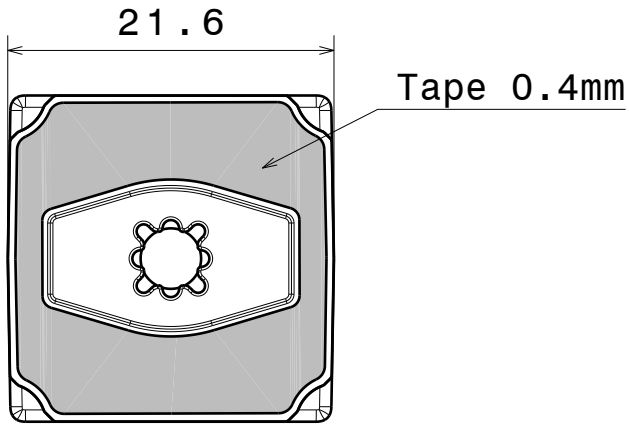


D

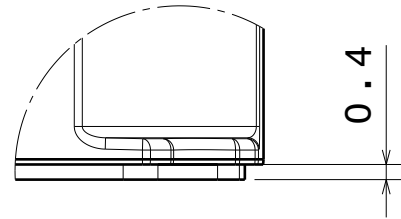
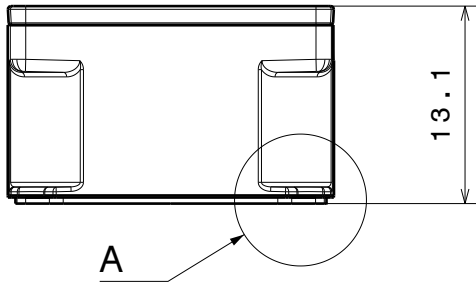
C

B

A



Isometric view
Scale: 2:1



Detail A
Scale: 5:1



Materials

Reflector: PC, high reflective white
Holder: PC, black
Tape: PU Foam

This drawing is our property.
It can't be reproduced
or communicated without
our written agreement.



Ledil Oy
Salorankatu 10
FIN 24240 SALO
Finland

DRAWING TITLE

LAURA - REF - XW - XP

DRAWN BY
as

DATE
3.8.2012

CHECKED BY
-

DATE
-

SIZE
A4

PART NUMBER

REV
001

DESIGNED BY
-

DATE
-

SCALE

2:1

WEIGHT

SHEET

1/1

D

A

NOTE: The typical divergence will be changed by different color, chip size and chip position tolerance. The typical total divergence is the full angle measured where the luminous intensity is half of the peak value.