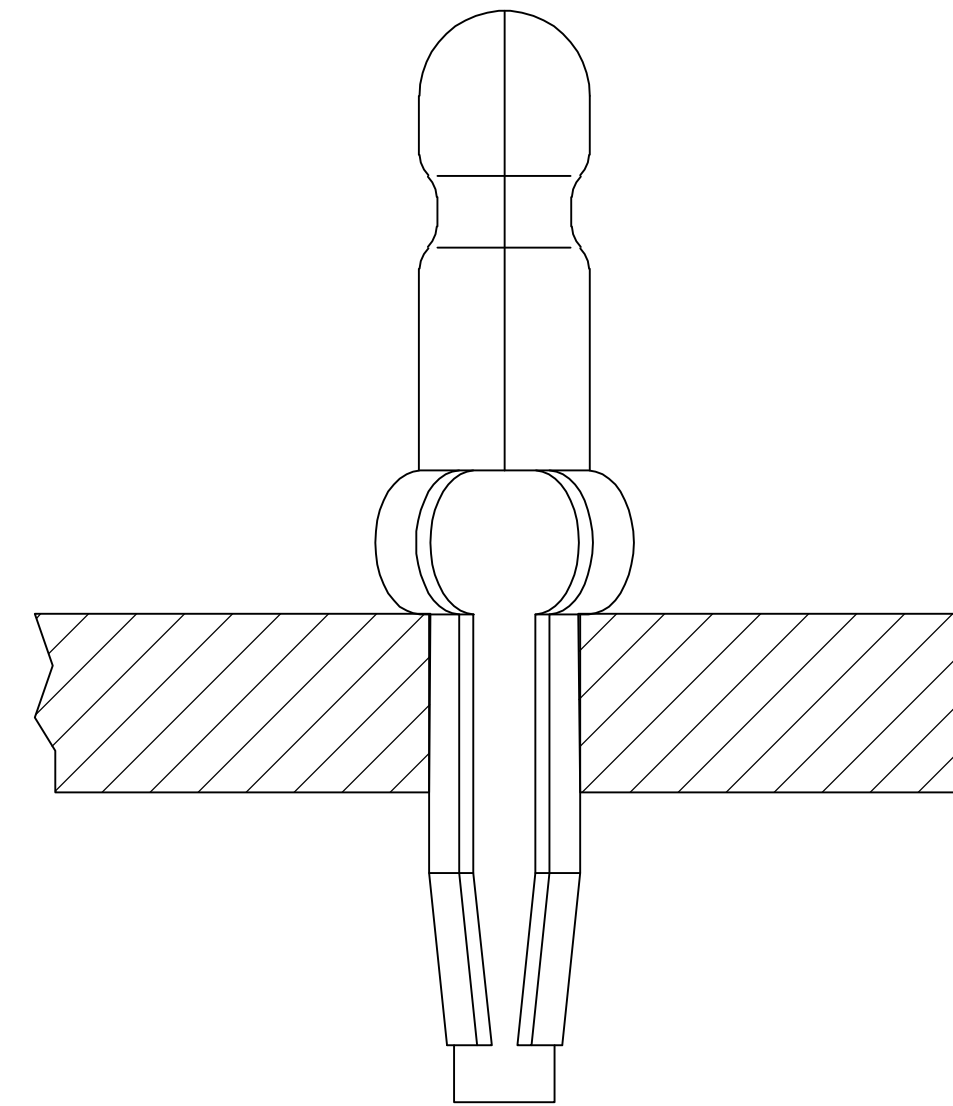
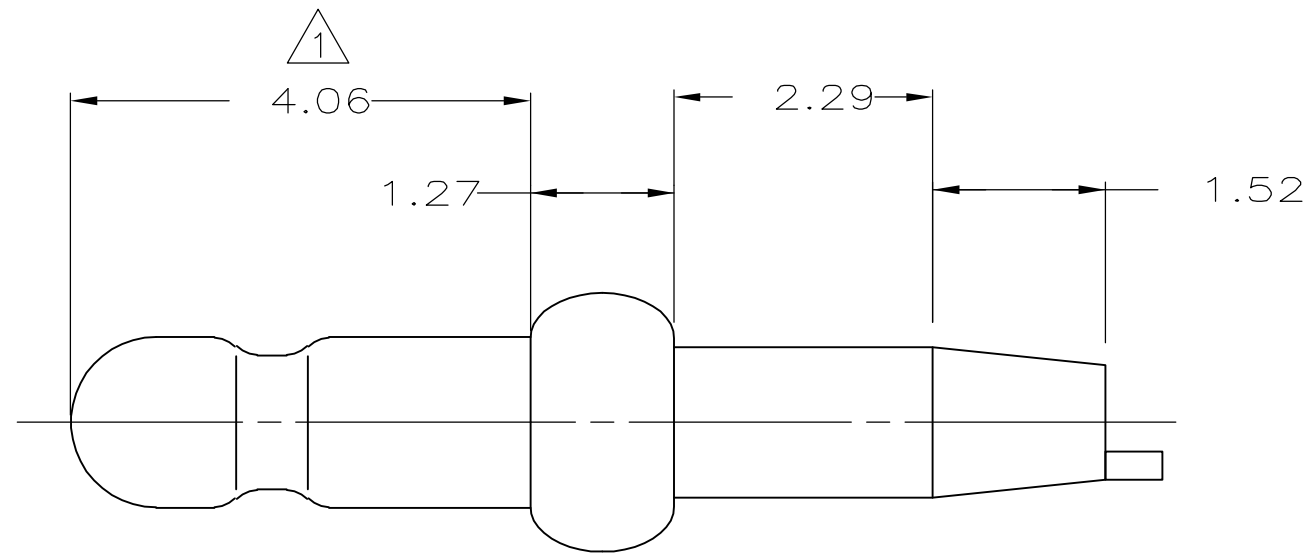
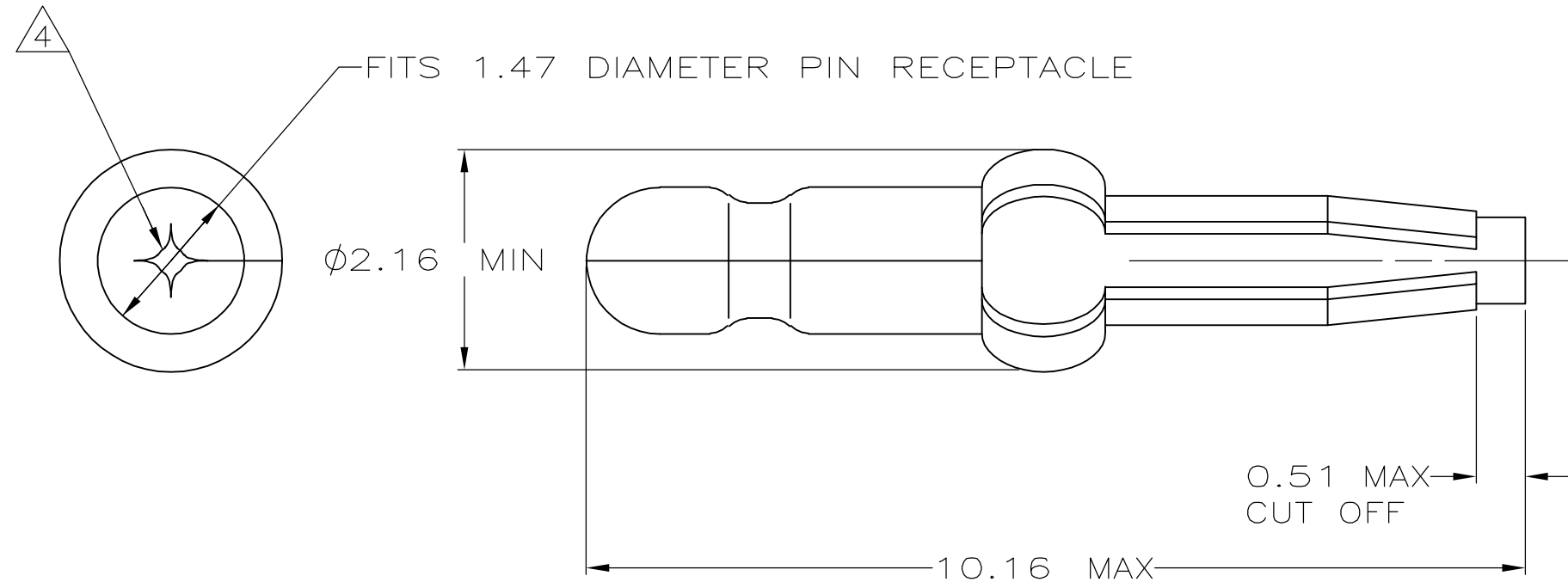


THIS DRAWING IS UNPUBLISHED. RELEASED FOR PUBLICATION  
 © COPYRIGHT BY TYCO ELECTRONICS CORPORATION. ALL RIGHTS RESERVED.

| LOC | DIST | REVISIONS |     |                           |         |     |      |
|-----|------|-----------|-----|---------------------------|---------|-----|------|
| CM  | 0    | P         | LTR | DESCRIPTION               | DATE    | DWN | APVD |
|     |      | N1        |     | REVISED PER ECO-05-015502 | 07DEC05 | KW  | JE   |

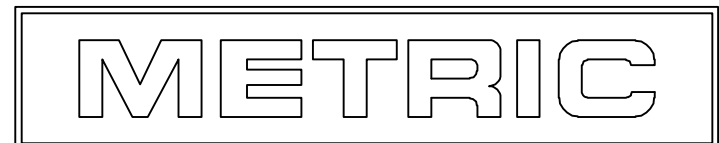
- ① 0.00076 MIN GOLD PLATING IN THIS AREA WITH 0.00381 MIN MATTE TIN LEAD ON THE REMAINDER, BOTH OVER 0.00127 MIN NICKEL UNDERPLATE.
- 2. FITS 1.17 - 1.27 DIAMETER HOLE IN A 1.57 OR 2.39 PRINTED CIRCUIT BOARD.
- 3. PARTS TO COMPLY WITH AMP SOLDERABILITY SPECIFICATION 109-11-3.
- ④ 0.05 - 0.25 DIAMETER OPENING REQUIRED IN TIP OF PIN.
- ⑤ 0.00076 MIN GOLD PLATING IN THIS AREA WITH 0.00381 MIN MATTE TIN ON THE REMAINDER, BOTH OVER 0.00127 MIN NICKEL UNDERPLATE.



|        |             |
|--------|-------------|
| ⑤      | 3-61067-1   |
| ①      | 61067-1     |
| FINISH | PART NUMBER |

|         |         |      |      |      |      |       |      |
|---------|---------|------|------|------|------|-------|------|
| 0.13    | .005    | 1.27 | .050 | 2.29 | .090 | -     | -    |
| 0.05    | .002    | 1.17 | .046 | 2.16 | .085 | -     | -    |
| 0.00381 | .000150 | 1.02 | .040 | 1.57 | .062 | 10.16 | .400 |
| 0.00127 | .000050 | 0.51 | .020 | 1.52 | .060 | 4.06  | .160 |
| 0.00076 | .000030 | 0.25 | .010 | 1.47 | .058 | 2.39  | .094 |
| MM      | IN      | MM   | IN   | MM   | IN   | MM    | IN   |

CONVERSION TABLE



THIS DRAWING IS A CONTROLLED DOCUMENT.

|                      |   |   |   |
|----------------------|---|---|---|
| DIMENSIONS: mm       | TOLERANCES UNLESS OTHERWISE SPECIFIED:                                  | DWN T. BECK 8-22-97   | Tyco Electronics Corporation<br>Harrisburg, PA 17105-3608   |
|                      | 0 PLC ± -<br>1 PLC ± -<br>2 PLC ± 0.13<br>3 PLC ± -<br>4 PLC ANGLES ± - | CHK R. SWING 8-22-97<br>APVD A. BEDDICK 9-10-97<br>PRODUCT SPEC 108-1025<br>APPLICATION SPEC 114-1008 |   |
| MATERIAL 0.25 PH BRZ | FINISH SEE TABLE  | WEIGHT -  | NAME PIN, .058 DIAMETER, PHOSPHOR BRONZE, PRESS FIT, LOOSE PIECE, P.C. CONTACT<br>SIZE A2 CAGE CODE 00779 DRAWING NO C=61067 RESTRICTED TO -<br>CUSTOMER DRAWING SCALE 15:1 SHEET 1 of 1 REV N1 |