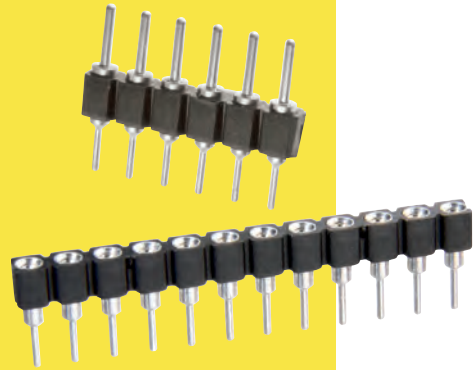


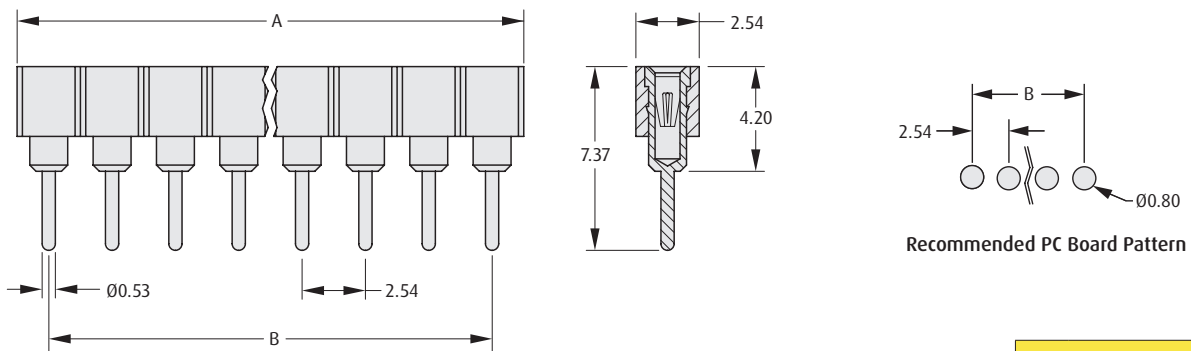
IC Sockets

Modular Single Row

- Connectors can be cut to smaller sizes.
- Socket accepts mating pin $\varnothing 0.40$ to 0.56mm , using four finger Beryllium Copper contact technology.
- Please consult Technical Drawings online for further specifications.

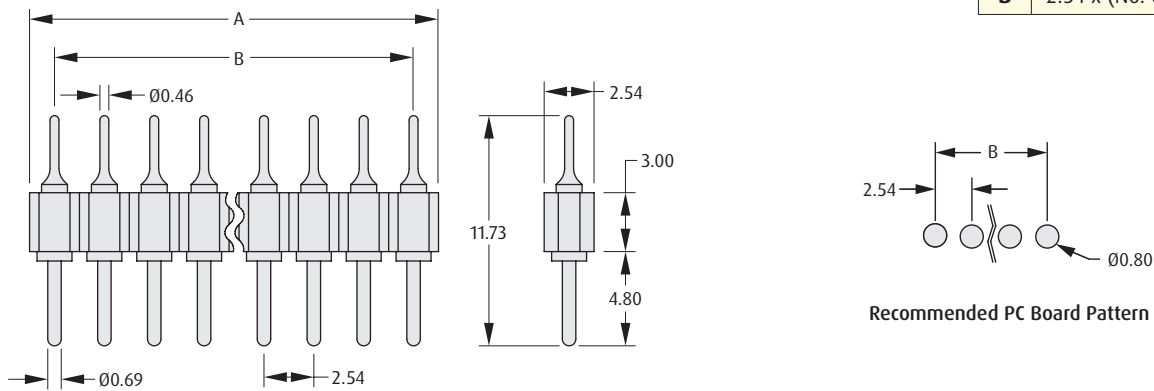


FEMALE



CALCULATION	
A	$2.54 \times \text{No. of contacts}$
B	$2.54 \times (\text{No. of contacts} - 1)$

MALE



HOW TO ORDER

D01 - 99 X XX XX

SERIES CODE	
7	Female
2	Male

FINISH	
42	Gold + Tin (Female)
46	Tin (Male)

NO. OF CONTACTS	
20, 32	

All dimensions in mm.