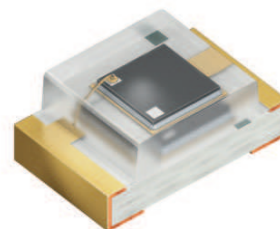


Silicon NPN Phototransistor with V_λ Characteristics

Version 1.3

SFH 3710



Features:

- **Spectral range of sensitivity:** (typ) 350 ... 950 nm
- **Package:** Chiplid (EIA 0805)
- **Special:** Adapted to human eye sensitivity (V_λ)
- Very small SMT package

Applications

- For control and drive circuits
- Ambient light detector
- Exposure meter for daylight and artificial light
- Sensor for backlight-dimming

Ordering Information

Type:	Photocurrent I_{PCE} [μA] $\lambda = 560 \text{ nm}$, $E_e = 10 \mu W/cm^2$, $V_{CE} = 5 \text{ V}$	Ordering Code
SFH 3710	2.5 ... 12.5	Q65110A3107
SFH 3710-2/3	2.5 ... 8	Q65110A3512
SFH 3710-3/4	4 ... 12.5	Q65110A3511

Note: *Single bins on request*

Maximum Ratings ($T_A = 25\text{ °C}$)

Parameter	Symbol	Values	Unit
Operating and storage temperature range	$T_{op}; T_{stg}$	-40 ... 85	°C
Collector-emitter voltage	V_{CE}	5.5	V
Collector current	I_C	20	mA
Emitter-collector voltage	V_{EC}	0.5	V
ESD withstand voltage (acc. to ANSI/ ESDA/ JEDEC JS-001 - HBM)	V_{ESD}	2000	V

Characteristics ($T_A = 25\text{ °C}$)

Parameter		Symbol	Values	Unit
Wavelength of max. sensitivity	(typ)	$\lambda_{S\ max}$	570	nm
Spectral range of sensitivity	(typ)	$\lambda_{10\%}$	(typ) 350 ... 950	nm
Radiant sensitive area	(typ)	A	0.29	mm ²
Dimensions of chip area	(typ)	L x W	(typ) 0.75 x 0.75	mm x mm
Half angle	(typ)	φ	± 60	°
Capacitance ($V_{CE} = 0\text{ V}$, $f = 1\text{ MHz}$, $E = 0$)	(typ)	C_{CE}	4	pF
Dark current ($V_{CE} = 5\text{ V}$, $E = 0$)	(typ (max))	I_{CE0}	3 (≤ 50)	nA
Temperature coefficient (Std. Light A)	(typ)	TC	0.9	% / K
Temperature coefficient ($\lambda = 550\text{ nm}$)	(typ)	TC	0.78	% / K

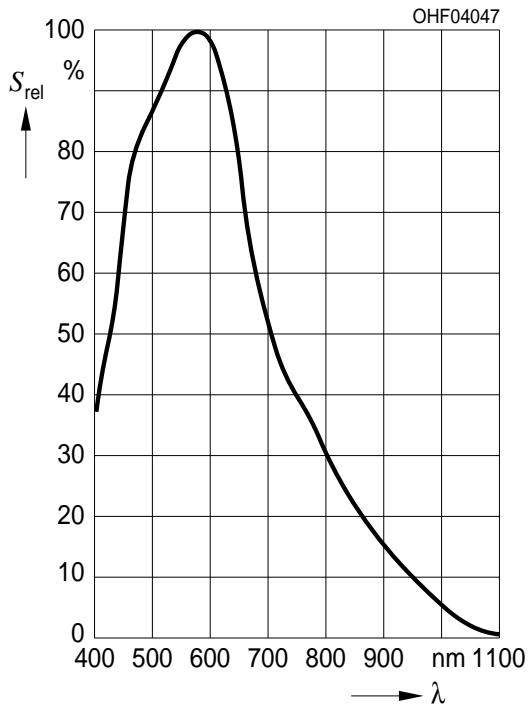
Grouping ($T_A = 25\text{ °C}$, $\lambda = 560\text{ nm}$)

Group	Min Photocurrent $E_e = 10\ \mu\text{W}/\text{cm}^2$, $V_{CE} = 5\ \text{V}$ $I_{PCE, \text{min}}\ [\mu\text{A}]$	Max Photocurrent $E_e = 10\ \mu\text{W}/\text{cm}^2$, $V_{CE} = 5\ \text{V}$ $I_{PCE, \text{max}}\ [\mu\text{A}]$	Typ Photocurrent $E_V = 1000\ \text{lx, Std. Light A, } V_{CE} = 5\ \text{V}$ $I_{PCE}\ [\mu\text{A}]$	Collector-emitter saturation voltage $I_C = I_{PCE\text{min}} \times 0.3, E_e = 10\ \mu\text{W}/\text{cm}^2$ $V_{CE\text{sat}}\ [\text{mV}]$
SFH 3710-2	2.5	5	220	100
SFH 3710-3	4	8	350	100
SFH 3710-4	6.3	12.5	570	100

Note.: $I_{PCE\text{min}}$ is the min. photocurrent of the specified group

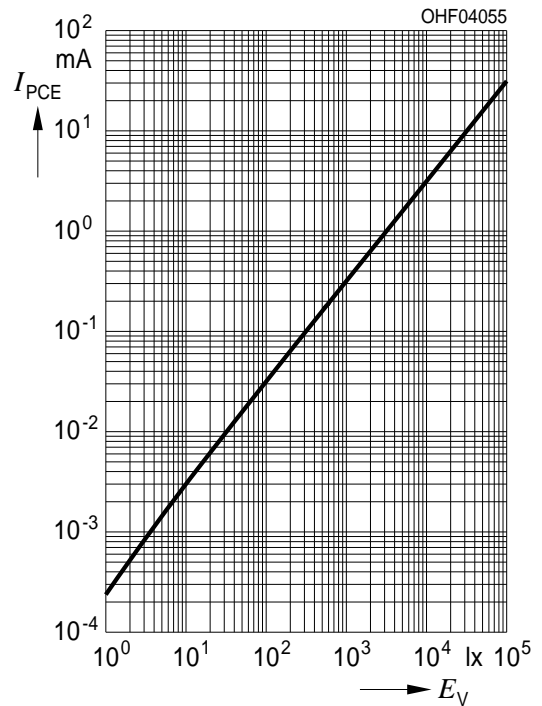
Relative Spectral Sensitivity ^{1) page 11}

$S_{\text{rel}} = f(\lambda)$



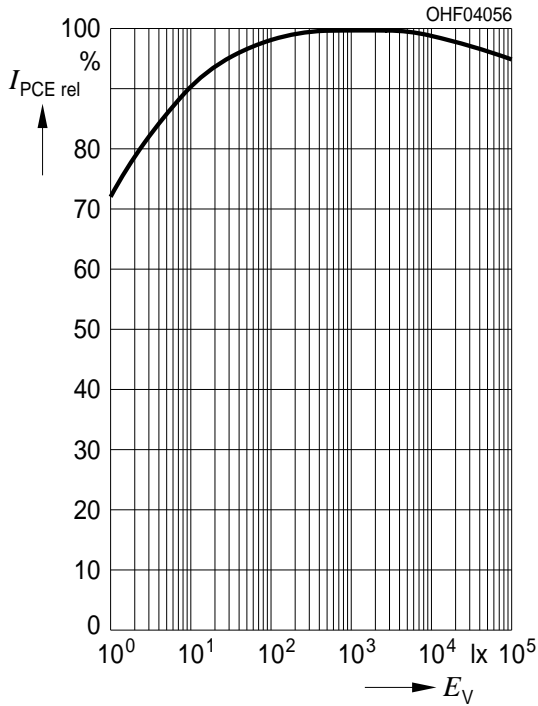
Photocurrent ^{1) page 11}

$I_{PCE} = f(E_V)$



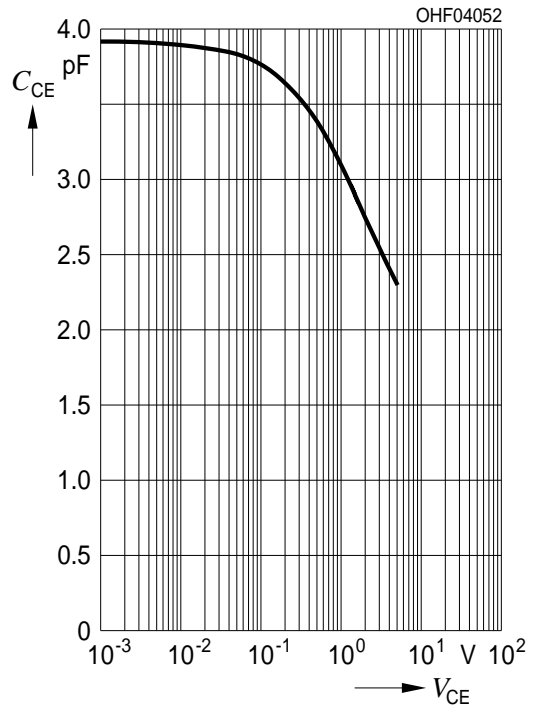
Photocurrent ^{1) page 11}

$I_{PCE} = f(E_V)$



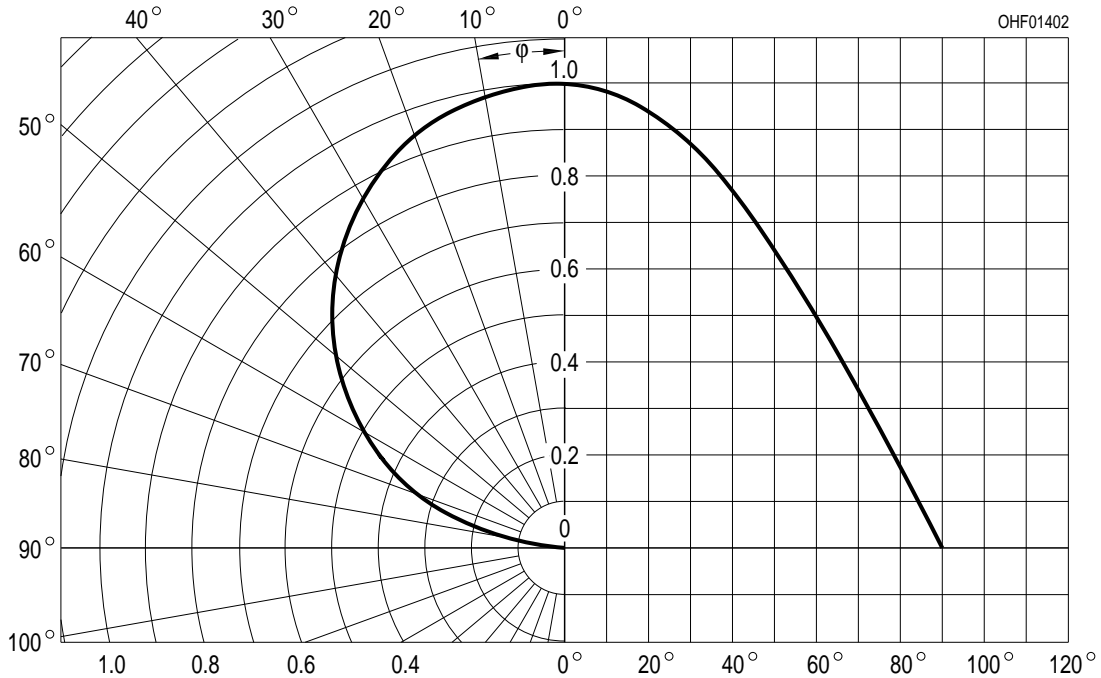
Collector-Emitter Capacitance ^{1) page 11}

$C_{CE} = f(V_{CE}), f = 1\text{ MHz}, E = 0$

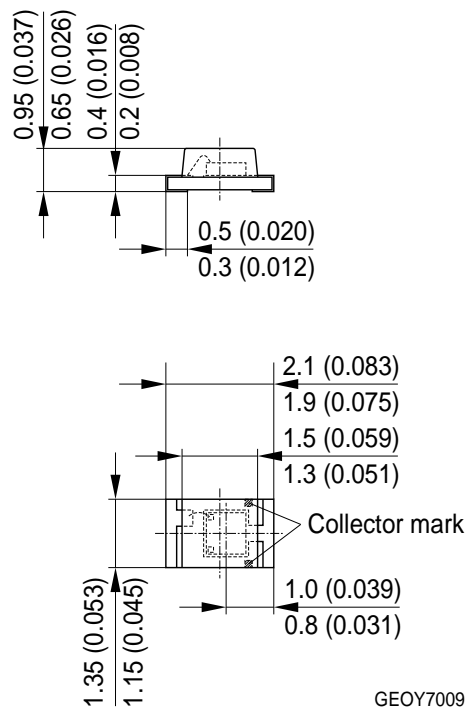


Directional Characteristics ^{1) page 11}

$S_{rel} = f(\phi)$



Package Outline



Dimensions in mm (inch).

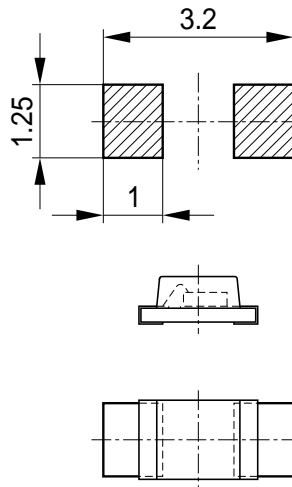
Package

Chiplid (EIA 0805)

Approximate Weight:

3.76 mg

Recommended Solder Pad



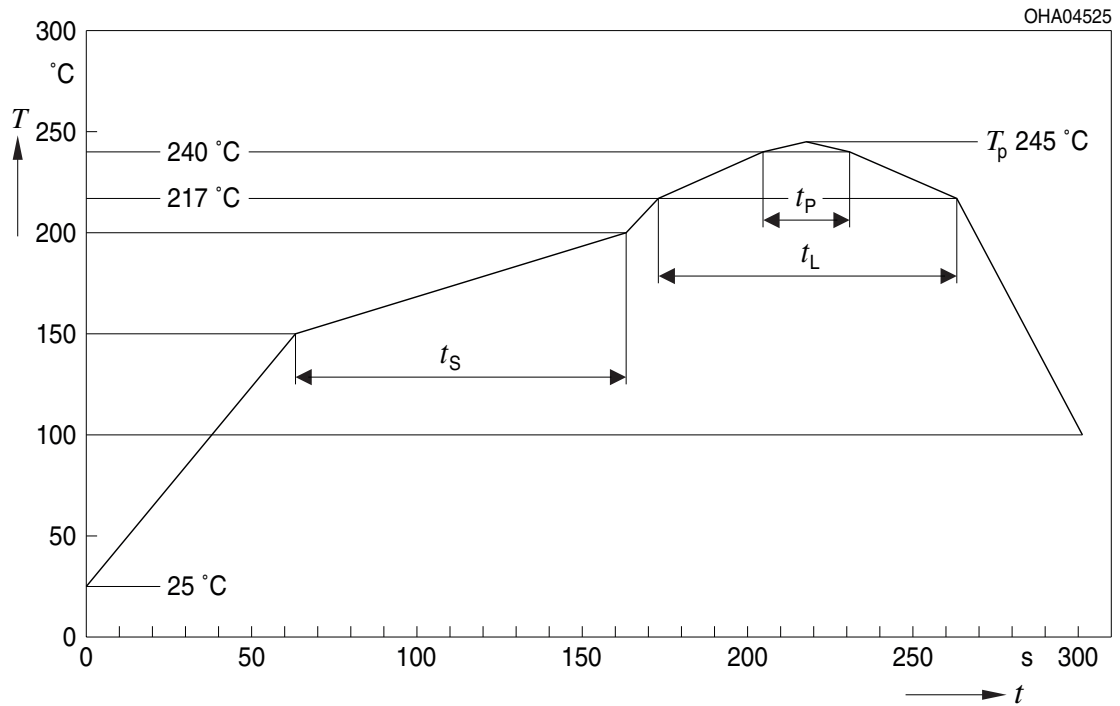
Bauteil positioniert
Component location on pad

OHFP2578

Dimensions in mm.

Reflow Soldering Profile

Product complies to MSL Level 2 acc. to JEDEC J-STD-020D.01



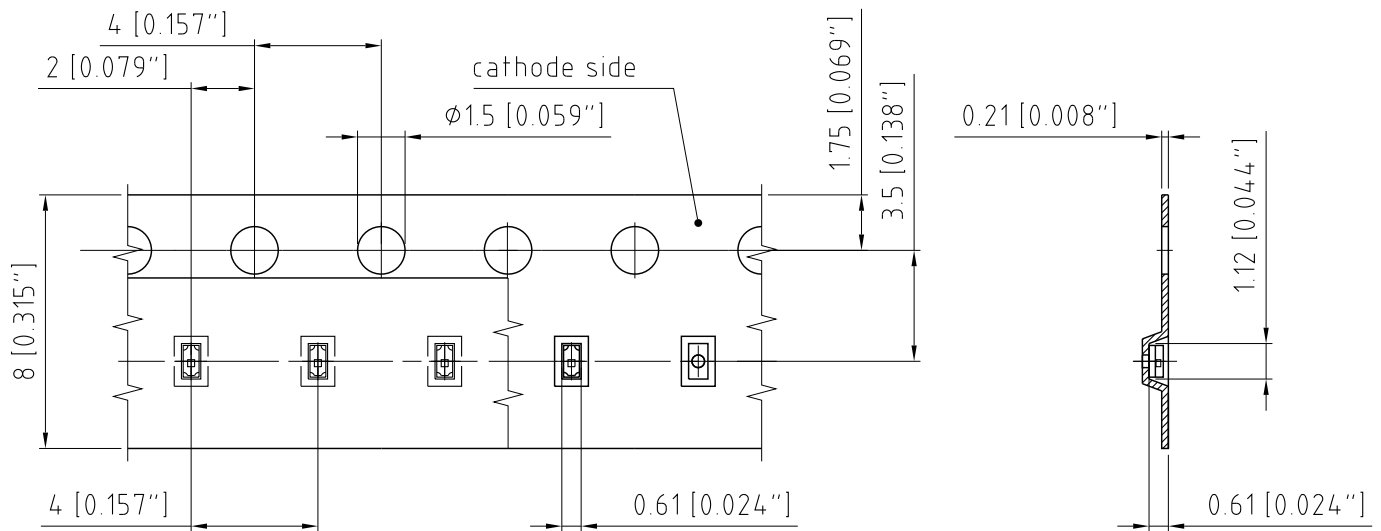
OHA04612

Profile Feature Profil-Charakteristik	Symbol Symbol	Pb-Free (SnAgCu) Assembly			Unit Einheit
		Minimum	Recommendation	Maximum	
Ramp-up rate to preheat*) 25 °C to 150 °C			2	3	K/s
Time t_S T_{Smin} to T_{Smax}	t_S	60	100	120	s
Ramp-up rate to peak*) T_{Smax} to T_P			2	3	K/s
Liquidus temperature	T_L	217			°C
Time above liquidus temperature	t_L		80	100	s
Peak temperature	T_P		245	260	°C
Time within 5 °C of the specified peak temperature $T_P - 5$ K	t_P	10	20	30	s
Ramp-down rate* T_P to 100 °C			3	6	K/s
Time 25 °C to T_P				480	s

All temperatures refer to the center of the package, measured on the top of the component

* slope calculation DT/Dt : Dt max. 5 s; fulfillment for the whole T-range

Taping

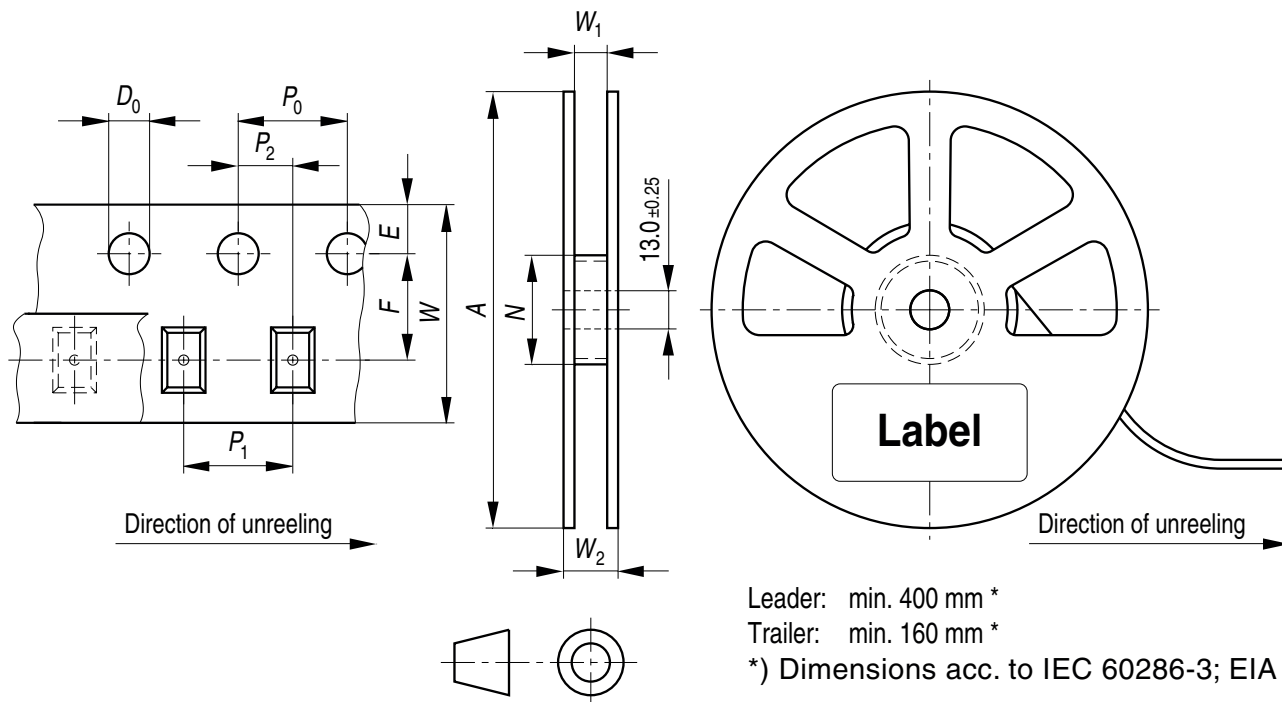


C63062-A4114-B1-02

Dimensions in mm (inch).

Tape and Reel

8 mm tape with 3000 pcs. on \varnothing 180 mm reel



Leader: min. 400 mm *
 Trailer: min. 160 mm *
 *) Dimensions acc. to IEC 60286-3; EIA 481-D
 OHAY0324

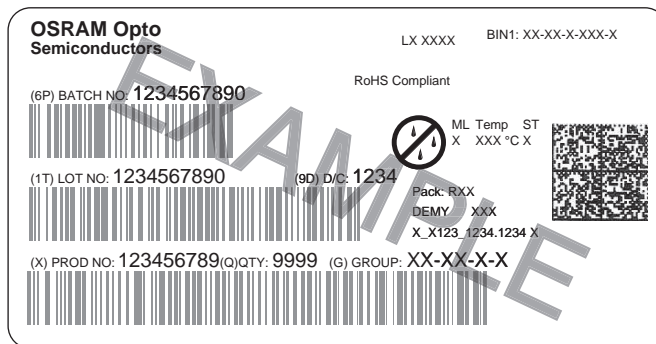
Tape dimensions [mm]

W	P ₀	P ₁	P ₂	D ₀	E	F
8 + 0.3 / -0.1	4 ± 0.1	2 ± 0.05 or 4 ± 0.1	2 ± 0.05	1.5 ± 0.1	1.75 ± 0.1	3.5 ± 0.05

Reel dimensions [mm]

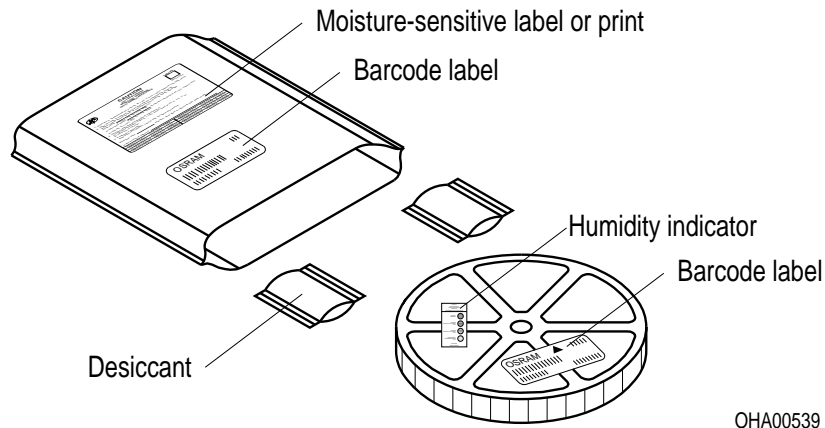
A	W	N _{min}	W ₁	W _{2max}
180	8	60	8.4 + 2	14.4

Barcode-Product-Label (BPL)



OHA04563

Dry Packing Process and Materials

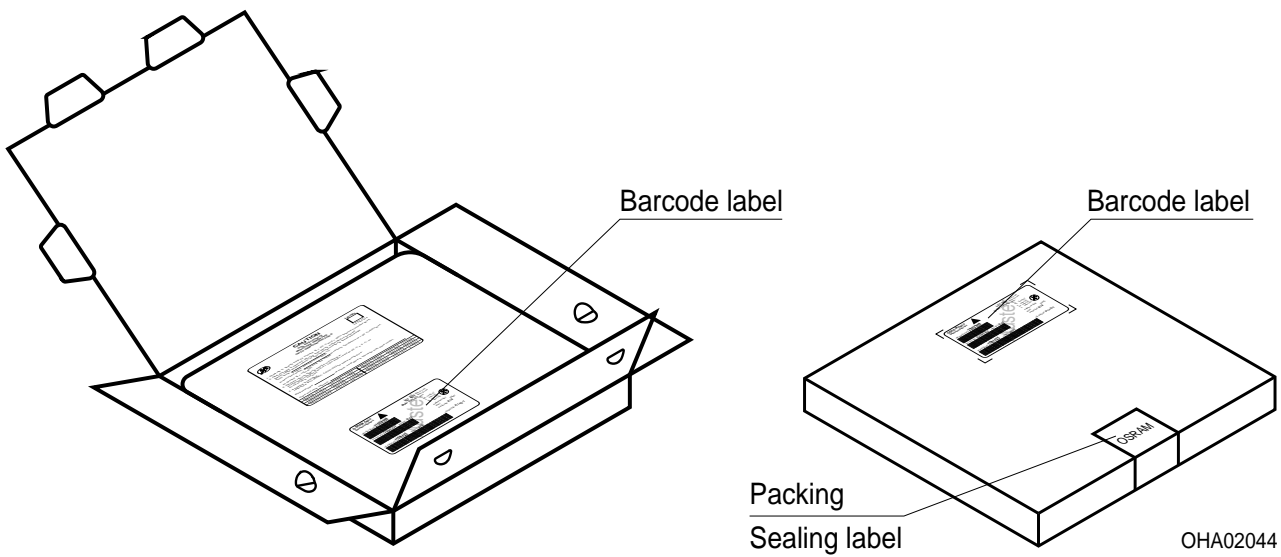


OHA00539

Note:

Moisture-sensitive product is packed in a dry bag containing desiccant and a humidity card. Regarding dry pack you will find further information in the internet. Here you will also find the normative references like JEDEC.

Transportation Packing and Materials



OHA02044

Dimensions of transportation box in mm

Width	Length	Height
200 ± 5	195 ± 5	30 ± 5

Disclaimer

Language english will prevail in case of any discrepancies or deviations between the two language wordings.

Attention please!

The information describes the type of component and shall not be considered as assured characteristics.

Terms of delivery and rights to change design reserved. Due to technical requirements components may contain dangerous substances.

For information on the types in question please contact our Sales Organization.

If printed or downloaded, please find the latest version in the Internet.

Packing

Please use the recycling operators known to you. We can also help you – get in touch with your nearest sales office.

By agreement we will take packing material back, if it is sorted. You must bear the costs of transport. For packing material that is returned to us unsorted or which we are not obliged to accept, we shall have to invoice you for any costs incurred.

Components used in life-support devices or systems must be expressly authorized for such purpose!

Critical components* may only be used in life-support devices** or systems with the express written approval of OSRAM OS.

*) A critical component is a component used in a life-support device or system whose failure can reasonably be expected to cause the failure of that life-support device or system, or to affect its safety or the effectiveness of that device or system.

**) Life support devices or systems are intended (a) to be implanted in the human body, or (b) to support and/or maintain and sustain human life. If they fail, it is reasonable to assume that the health and the life of the user may be endangered.

Glossary

- ¹⁾ **Typical Values:** Due to the special conditions of the manufacturing processes of LED, the typical data or calculated correlations of technical parameters can only reflect statistical figures. These do not necessarily correspond to the actual parameters of each single product, which could differ from the typical data and calculated correlations or the typical characteristic line. If requested, e.g. because of technical improvements, these typ. data will be changed without any further notice.

Published by OSRAM Opto Semiconductors GmbH
Leibnizstraße 4, D-93055 Regensburg
www.osram-os.com © All Rights Reserved.

EU RoHS and China RoHS compliant product



此产品符合欧盟 RoHS 指令的要求；
按照中国的相关法规和标准，不含有毒有害物质或元素。