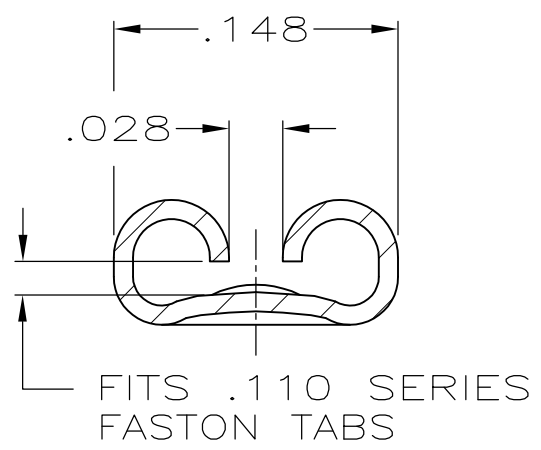
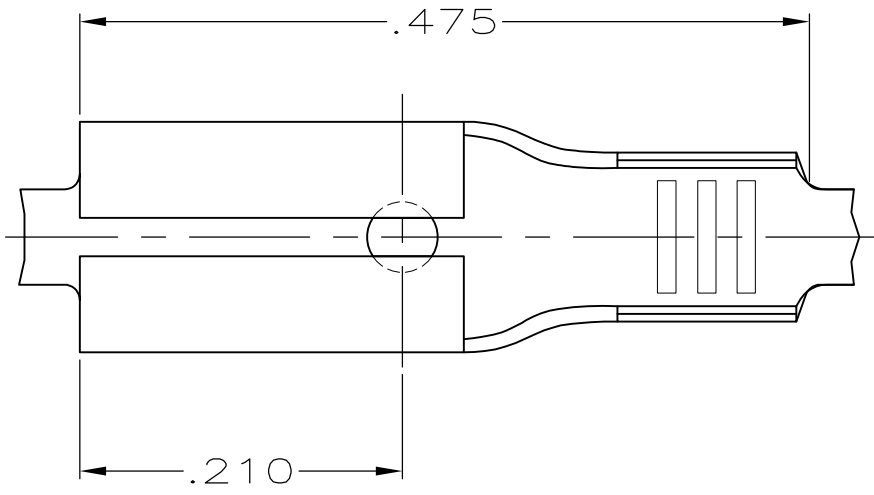
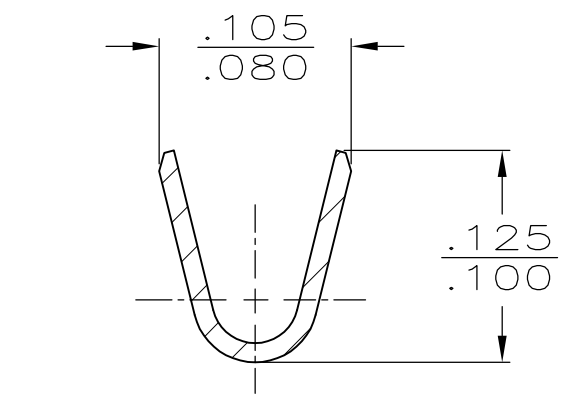
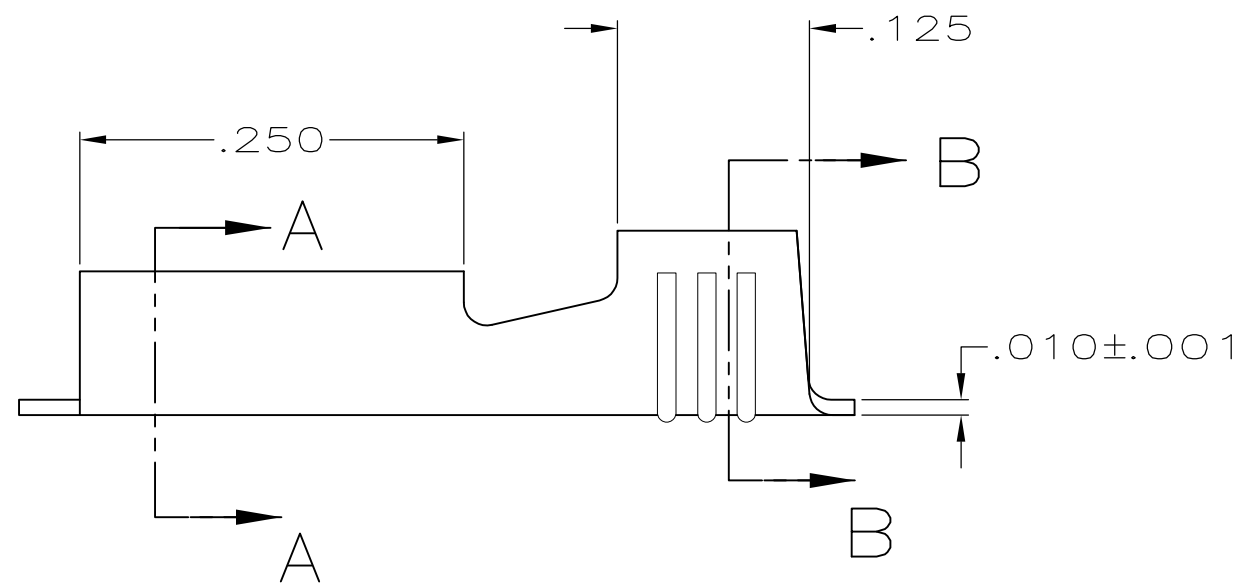


THIS DRAWING IS UNPUBLISHED. RELEASED FOR PUBLICATION
 © COPYRIGHT - By - ALL RIGHTS RESERVED.

LOC	DIST	REVISIONS			
P	LTR	DESCRIPTION	DATE	DWN	APVD
AF	50	U	REVISED PER ECR-12-013445	18OCT12	KH PD




- 1 CONTINUOUS STRIP ON REELS
- 2 FEED TO BE .535±.005



SECTION A-A
SCALE 10:1

SECTION B-B
SCALE 10:1

20-18 or (2) #20's	.016	42398-1
WIRE SIZE	MATING TAB THK ±.001	PART NO

THIS DRAWING IS A CONTROLLED DOCUMENT.		DWN JR RUTH 4/1/91	 TE Connectivity RECEPTACLE, FASTON, .110 SERIES	
DIMENSIONS: INCHES		CHK MS FEHER 4/1/91		
TOLERANCES UNLESS OTHERWISE SPECIFIED:		APVD C MEYERS 4/1/91		
0 PLC ± - 1 PLC ± - 2 PLC ± - 3 PLC ± .015 4 PLC ± - ANGLES ± -		NAME		
MATERIAL BRASS		FINISH PRE-TIN	PRODUCT SPEC	SIZE A3
			APPLICATION SPEC	CAGE CODE 00779
			WEIGHT -	DRAWING NO C-42398
			CUSTOMER DRAWING	RESTRICTED TO -
				SCALE 8:1
				SHEET 1 OF 1
				REV U