



austriamicrosystems AG

is now

ams AG

The technical content of this austriamicrosystems application note is still valid.

Contact information:

Headquarters:

ams AG
Tobelbaderstrasse 30
8141 Unterpremstaetten, Austria
Tel: +43 (0) 3136 500 0
e-Mail: ams_sales@ams.com

Please visit our website at www.ams.com

AS5215

Programmable 360° Magnetic Angle Encoder with SINE & COSINE Output Signals

AS5215-DB-1.0 Demoboard OPERATION MANUAL

1 General Overview

The AS5215 is a redundant contactless rotary encoder sensor for accurate angular measurement over a full turn of 360° and over an extended ambient temperature range of -40°C...+150°C.

Based on an integrated Hall element array, the angular position of a simple two-pole magnet is translated into analog output voltages. The angle information is provided by means of buffered sine and cosine voltages. This approach gives maximum flexibility in system design, as

it can be directly integrated into existing architectures and optimized for various applications in terms of speed and accuracy.

An SSI Interface is implemented for signal path configurations, as well as a one time programmable register block (OTP), which allows the customer to adjust the signal path gain for different mechanical constraints and magnetic fields.

2 The AS5215 Demoboard

The AS5215 demoboard is a complete rotary encoder system with built-in microcontroller, USB interface, and graphical LCD display. The board is USB powered or externally supplied with a 9V battery for standalone operation.

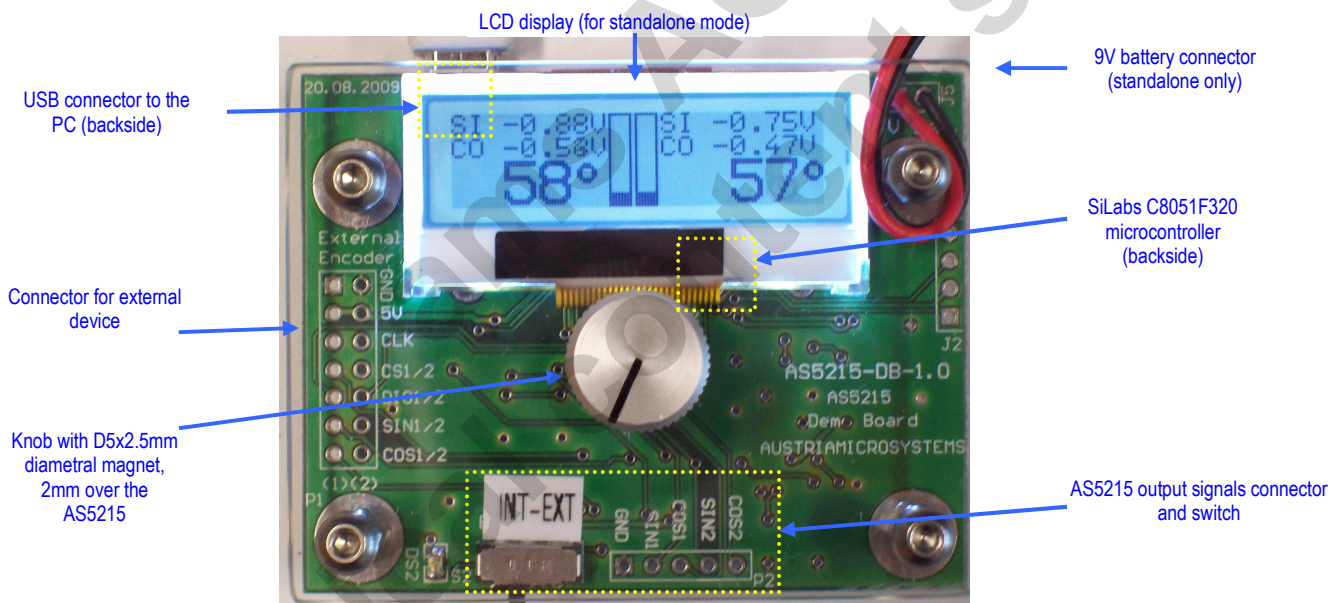


Figure 1: AS5215 Demoboard hardware with mounted magnet knob

3 Operating the AS5215 Demoboard

The AS5215 demoboard can be used in several ways:

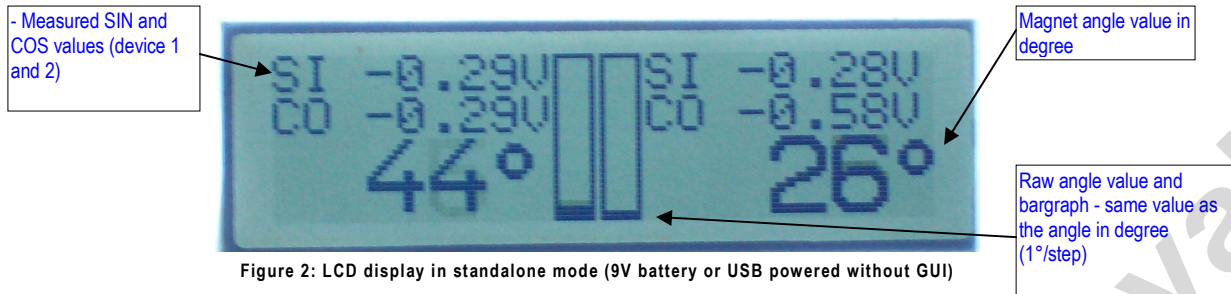
- As standalone unit supplied by a 9V battery**
 Connect a 9V battery to the battery connector on the top right side of the board. No other connections are required.
- As standalone unit supplied by an USB port**
 Connect the demoboard to a PC using a USB/USB cable (included in demoboard shipment). The board is supplied by the 5V supply of the USB port. No other connections are required.
- As input device for the AS5000 Programmer GUI software**
 This configuration uses the same USB hardware connection as mentioned above, but additionally the AS5000 Programmer GUI software is running. The LCD display will be turned off and the Angle/Sine/Cosine value will be displayed on the PC screen.

3.1 Hardware Indicators

3.1.1 Graphic LCD display

The LCD display shows the real-time absolute angle position of the magnet as a digital word (0...360), as well as the current sine and cosine value of the output voltage.

Turning the knob clockwise will increase the angle value until 359, then 0.



3.1.2 EXT LED

The EXT LED indicates whether the internal (on board) AS5215 or an external device is used and which values are shown on the display. By switching S2 to the right side the LED is turned on and one can use an external AS5215 by connecting it at P1.

The header P1 is pin compatible with the AS5215-AB.

4 AS5000 Programmer GUI software

4.1 Installing the GUI on the PC

The preliminary software is developed for a Microsoft Windows XP operating system with Service Pack 2. In addition the dotnet (.NET) framework version 2.0 or more must be installed on the PC. This package can be downloaded free of charge from the Microsoft webpage:

<http://www.microsoft.com/downloads/details.aspx?FamilyID=0856eacb-4362-4b0d-8edd-aab15c5e04f5&displaylang=en>

Following Procedure is recommended before starting the GUI:

1. check on your PC if Service Pack 2 is installed
2. install the mentioned .NET package to your computer
3. execute setup.exe
4. Finally start the GUI using the shortcut in the start menu or desktop.

4.2 The Home tab

Figure 3 shows the main window of the GUI. On the top left corner, board information as firmware (FW) version and demoboard name declaration can be found.

By default the GUI is in the auto detection mode. Any connected austriamicrosystems demoboard and programming tool will be automatically detected and displayed in the right top corner. The GUI is divided into three main sections HOME, TWI and OTP.

By selecting the TWI (AS5215 bidirectional serial protocol) tab, the information of the angular position appears. See figure 4.

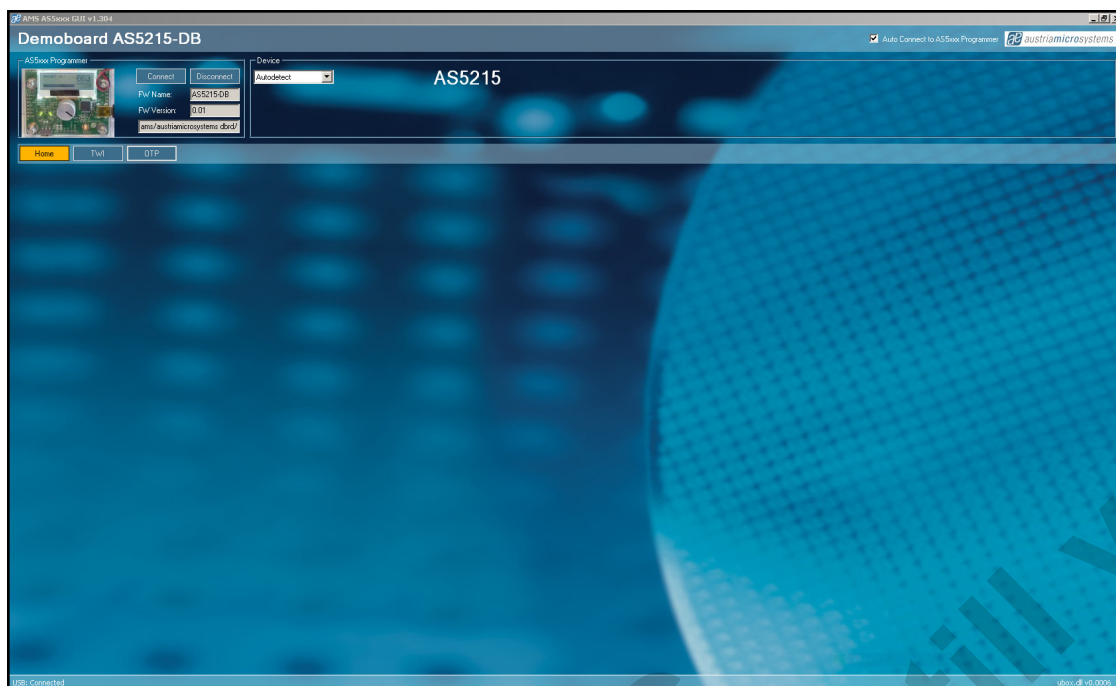


Figure 3: AS5000 GUI detected the AS5215 Demoboard

4.3 The TWI tab

This mode displays in realtime the angle value, Multiturn register value, AGC value and the UVW signal status.



Figure 4: TWI tab, allows access to the AS5215 registers from the serial bus

The **Read Interval** can be modified from 10 ms (fastest) to 1 s (slowest).

By clicking on **Digital Interface**, a new window opens, and allows the user to write directly into the AS5215 registers. See chapter 4.4.

4.4 Digital Interface sub-window

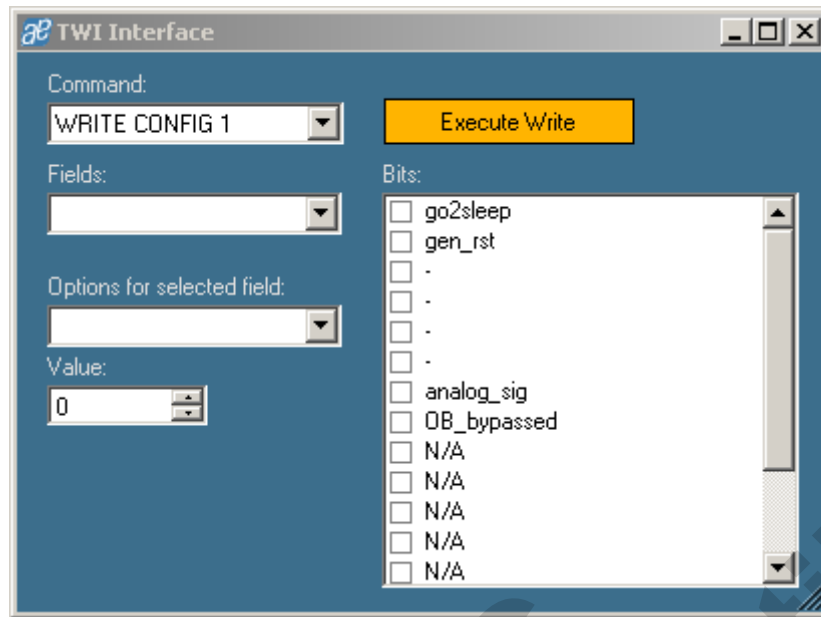


Figure 5: TWI interface sub-window

The Digital interface window allows accessing the internal registers of the AS5215:

#	command	bin	mode	15	14	13	12	11	10	9	8	7	6	5	4	3	2	1	0
23	WRITE CONFIG 1	10111	write	go2sleep	gen_rst					analog_sig	OB_bypassed								
16	EN_PROG	10000	write	1	0	0	0	1	1	0	0	1	0	1	0	1	1	1	0

The parameters don't need to be checked manually in the "Bits" window on the right, but can be set by the "Fields" and "Options for the selected bits" values. The corresponding bits will be checked automatically.

To validate the command, the **Execute Write** button must be clicked.

For further information please refer to datasheet.

4.5 OTP tab

The OTP tab is normally used for the AS5000 programmer, but the OTP bits can be changed on the AS5215 demoboard as well.

Options like gain and Hall bias can be changed by selecting the function in “Fields”, then changing the parameter in “Options for the selected field” or directly the decimal value of this parameter in “Value”.

By switching from *Die 0* to *Die 1*, one has access to the second device.

Each time a field’s value has been changed, the corresponding OTP bits will be automatically checked in the right window.

The button **Write** should be clicked to write the parameter into the AS5215.

The **Read** button reads back the OTP register, and updates the “Field” parameter as well as the OTP bits window.



Figure 6: OTP tab

Field Gain: Sets the gain of the internal signal path.

- 0: Sensitivity = 1.65
- 1: Sensitivity = 1.88
- 2: Sensitivity = 2.11
- 3: Sensitivity = 2.35

Field Hall Bias: To change the Hall Bias current:

- 0 – 63: depending on the desired output voltage

Note that the **Zap!** button is used for the AS5000 Programmer only and has no effect on the AS5215 Demoboard.

5 AS5215 Demoboard Schematics

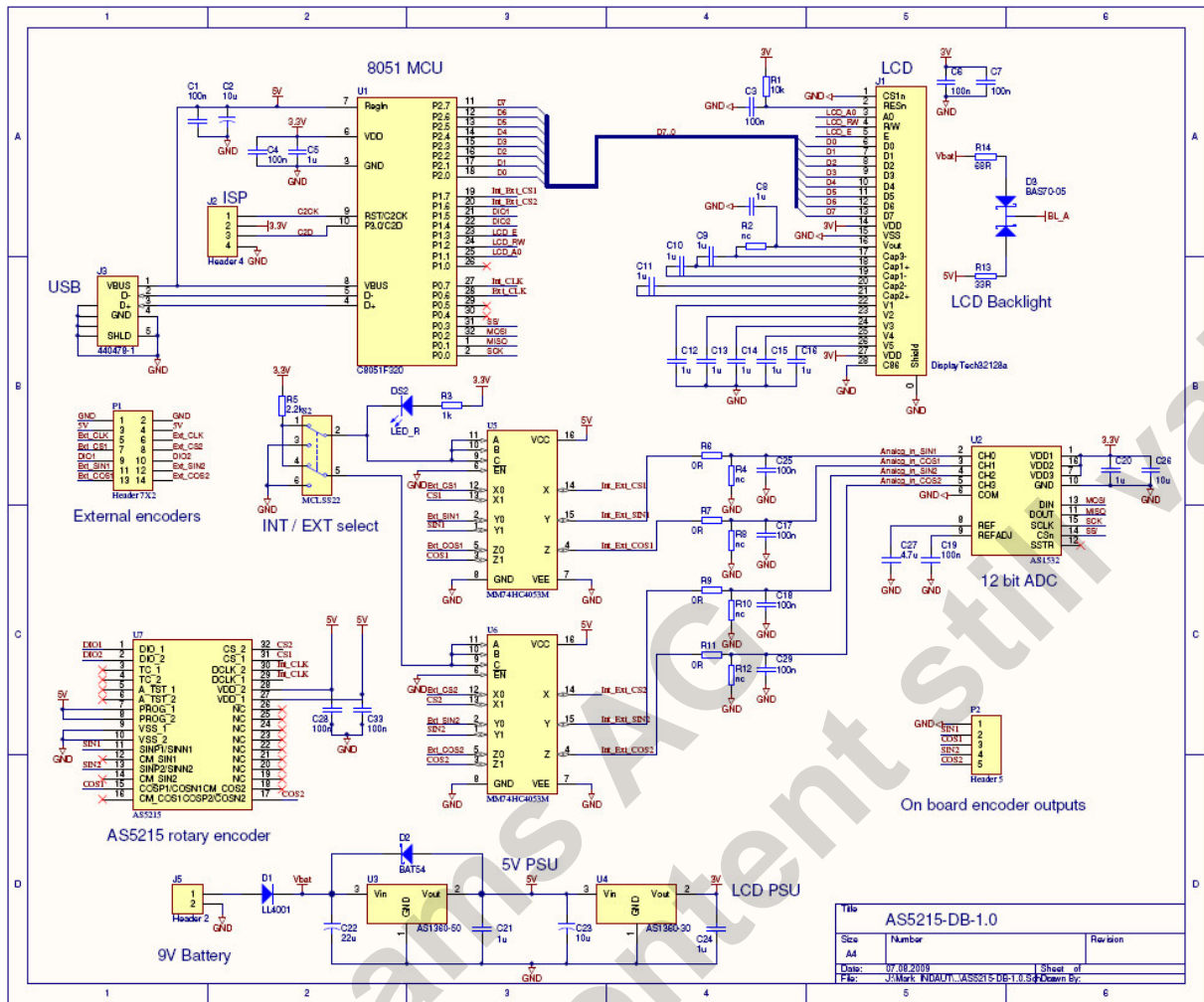


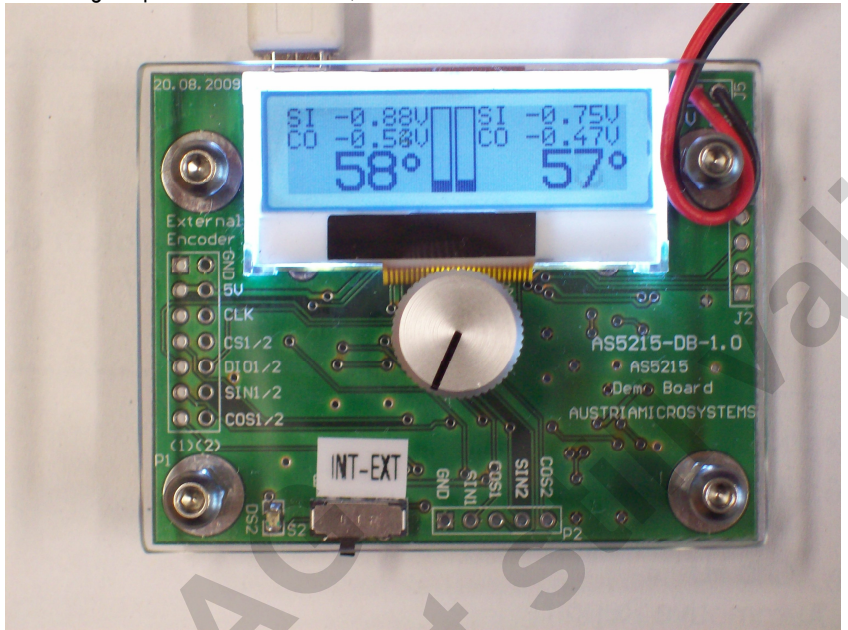
Figure 7: AS5215 Demoboard schematics

Index

1	General Overview	1
2	The AS5215 Demoboard	1
3	Operating the AS5215 Demoboard	1
3.1	Hardware Indicators	2
3.1.1	Graphic LCD display	2
3.1.2	EXT LED	2
4	AS5000 Programmer GUI software	2
4.1	Installing the GUI on the PC	2
4.2	The Home tab	2
4.3	The TWI tab	4
4.4	Digital Interface sub-window	5
4.5	OTP tab	6
5	AS5215 Demoboard Schematics	7
	Index	8
	Revision History	9
	Contact	10
	Copyright	11

Revision History

Revision	Date	Description
1.0	17.August 2009	First version
1.1	02.September 2009	Insert original photos of demoboard;



Contact

Headquarters

austriamicrosystems AG
 A 8141 Schloss Premstätten, **Austria**
 Phone: +43 3136 500 0
 Fax: +43 3136 525 01
industry.medical@austriamicrosystems.com
www.austriamicrosystems.com

Sales Offices

austriamicrosystems Germany GmbH
 Tegernseer Landstrasse 85
 D-81539 München, **Germany**
 Phone: +49 89 69 36 43 0
 Fax: +49 89 69 36 43 66

austriamicrosystems Italy S.r.l.
 Via A. Volta, 18
 I-20094 Corsico (MI), **Italy**
 Phone: +39 02 4586 4364
 Fax: +39 02 4585 773

austriamicrosystems France S.A.R.L.
 124, Avenue de Paris
 F-94300 Vincennes, **France**
 Phone: +33 1 43 74 00 90
 Fax: +33 1 43 74 20 98

austriamicrosystems Switzerland AG
 Rietstrasse 4
 CH 8640 Rapperswil, **Switzerland**
 Phone: +41 55 220 9008
 Fax: +41 55 220 9001

austriamicrosystems UK, Ltd.
 88, Barkham Ride,
 Finchampstead, Wokingham
 Berkshire RG40 4ET, **United Kingdom**
 Phone: +44 118 973 1797
 Fax: +44 118 973 5117

austriamicrosystems AG
 Klaavuntie 9 G 55
 FI 00910 Helsinki, **Finland**
 Phone: +358 9 72688 170
 Fax: +358 9 72688 171

austriamicrosystems AG
 Bivägen 3B
 S 19163 Sollentuna, **Sweden**
 Phone: +46 8 6231 710

austriamicrosystems USA, Inc.
 8601 Six Forks Road
 Suite 400
 Raleigh, NC 27615, **USA**
 Phone: +1 919 676 5292
 Fax: +1 509 696 2713

austriamicrosystems USA, Inc.
 4030 Moorpark Ave
 Suite 116
 San Jose, CA 95117, **USA**
 Phone: +1 408 345 1790
 Fax: +1 509 696 2713

austriamicrosystems AG
 Suite 811, Tsimshatsui Centre
 East Wing, 66 Mody Road
 Tsim Sha Tsui East, Kowloon, **Hong Kong**
 Phone: +852 2268 6899
 Fax: +852 2268 6799

austriamicrosystems AG
 AIOS Gotanda Annex 5th Fl., 1-7-11,
 Higashi-Gotanda, Shinagawa-ku
 Tokyo 141-0022, **Japan**
 Phone: +81 3 5792 4975
 Fax: +81 3 5792 4976

austriamicrosystems AG
 #805, Dong Kyung Bldg.,
 824-19, Yeok Sam Dong,
 Kang Nam Gu, Seoul
Korea 135-080
 Phone: +82 2 557 8776
 Fax: +82 2 569 9823

austriamicrosystems AG
 Singapore Representative Office
 83 Clemenceau Avenue, #02-01 UE Square
 239920, **Singapore**
 Phone: +65 68 30 83 05
 Fax: +65 62 34 31 20

Copyright

Devices sold by austriamicrosystems are covered by the warranty and patent indemnification provisions appearing in its Term of Sale. austriamicrosystems makes no warranty, express, statutory, implied, or by description regarding the information set forth herein or regarding the freedom of the described devices from patent infringement. austriamicrosystems reserves the right to change specifications and prices at any time and without notice. Therefore, prior to designing this product into a system, it is necessary to check with austriamicrosystems for current information. This product is intended for use in normal commercial applications.

Copyright © 2009 austriamicrosystems. Trademarks registered ®. All rights reserved. The material herein may not be reproduced, adapted, merged, translated, stored, or used without the prior written consent of the copyright owner. To the best of its knowledge, austriamicrosystems asserts that the information contained in this publication is accurate and correct. However, austriamicrosystems shall not be liable to recipient or any third party for any damages, including but not limited to personal injury, property damage, loss of profits, loss of use, interruption of business or indirect, special, incidental or consequential damages, of any kind, in connection with or arising out of the furnishing, performance or use of the technical data herein. No obligation or liability to recipient or any third party shall arise or flow out of austriamicrosystems rendering of technical or other services.