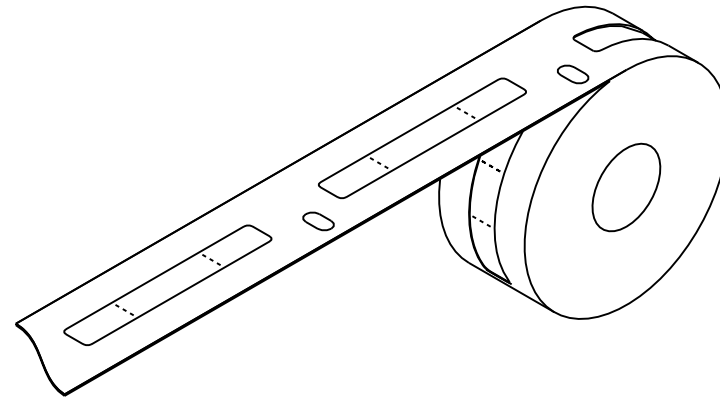
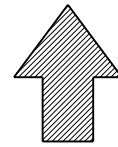
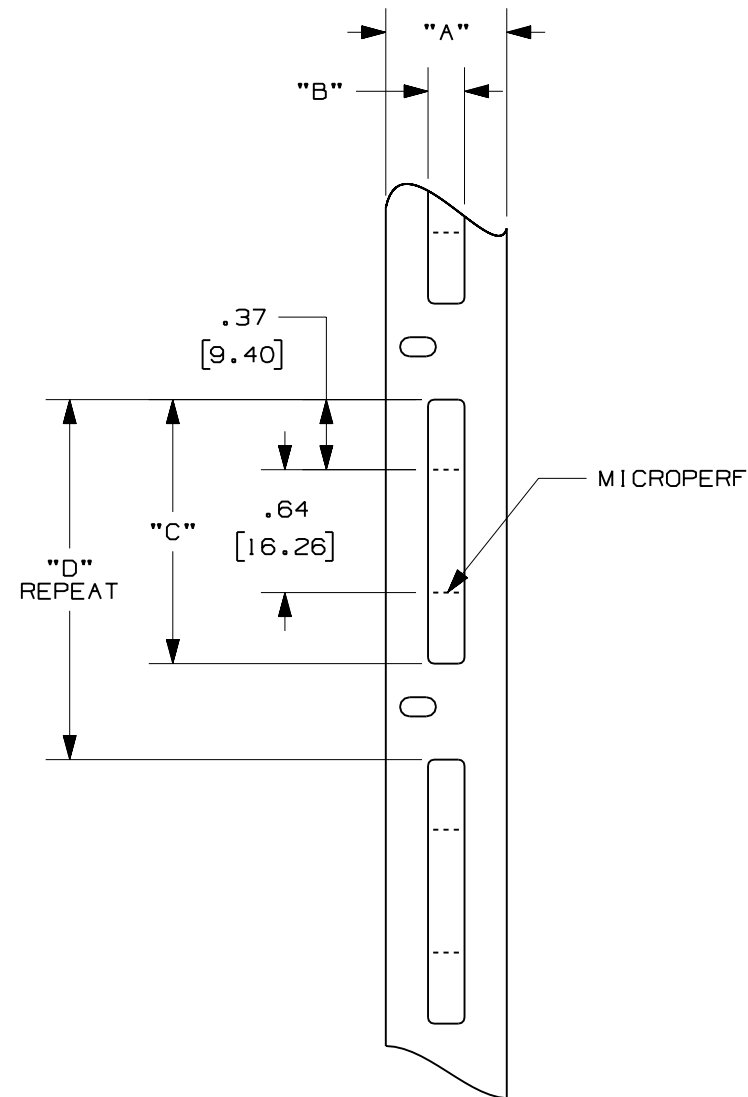


FEED DIRECTION



- NOTES:  
 1. SEE MFG. DWG. NO. A61349.  
 2. DIMENSIONS IN [ ] ARE IN MILLIMETERS.



PANDUIT PART NO.	"A"	"B"	"C"	"D"	LABELS/ROLL
C138X019FJC	0.63 [ 1.60 ]	0.190 [ 4.826 ]	1.375 [ 34.93 ]	1.625 [ 41.28 ]	200

CAD FILENAME/LAYERS: I00472MF\_C10418\_C138X019FJC\_00.prt

REV	DATE	BY	CHK	DESCRIPTION	ECN	R	CUST	SUP
0	5-11-06	RVU		RELEASED TO PRODUCTION.	4503	R		

**PANDUIT** CORP TINLEY PARK, ILLINOIS

CUSTOMER DRAWING  
 LSB COMPONENT LABELS  
 C138X019FJC

UNLESS OTHERWISE SPECIFIED,  
 DIMENSIONAL TOLERANCES ARE:  
 (.X) ± .030 ANGLES ±  
 (.XXX) ± .015

UNLESS OTHERWISE SPECIFIED,  
 ALL DIMENSIONS ARE GIVEN IN  
 INCHES, THIRD ANGLE PROJECTION

DRAWN BY  
 RVU

MAT'L:  
 POLYOLEFIN  
 GMPO

SCALE  
 NTS

DATE  
 5-11-06

DWG  
 B

DRAWING NO.  
 C10418

CHK'D

SIZE