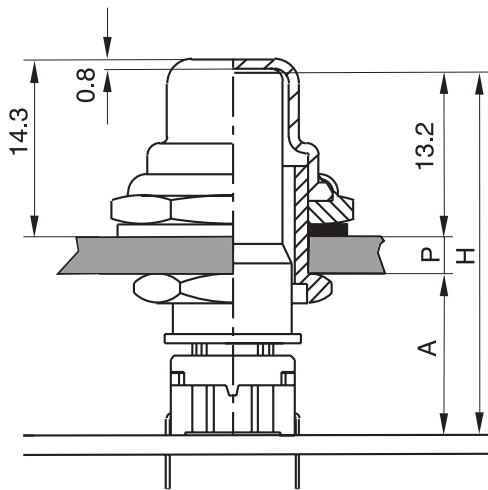


# multimec® Aquamec™

## Specifications switches: Specifications Sealing Boot:

- through-hole or SMD
- 50mA/24VDC
- single pole/momentary
- 10.000.000 operations life time
- IP67 sealing
- temperature range:  
low temp: -40/+115°C  
high temp: -40/+160°C

- Operating temperature: -40/+85°C
- IP67 sealing
- sealing life time: 2.000.000 operations
- material: silicone



$$H = A + P + 13.2$$


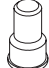
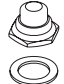
This leaves nominal 0.3 mm clearance between the top of the cap and the inner side of the sealing boot to accomplish assembly tolerances. **A** can be chosen between 10 -13 mm, we recommend 10 mm to reduce building height and optimize cap guidance.


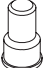
A	P	CAP	H	BUSHING
10.0	1.0	AQCXX-24.2	24.2	AQN-0.5
10.0	2.0	AQCXX-25.2	25.2	AQN-0.5
10.0	3.0	AQCXX-26.2	26.2	AQN-2.5
10.0	4.0	AQCXX-27.2	27.2	AQN-2.5

Cap is available in black (09) or transparent (11).

The dimension H is the overall height of the switch+cap.  
Bushing AQN-0.5 accepts panel thickness (P) 0.5-2.5 mm.  
Bushing AQN-2.5 accepts panel thickness (P) 2.5-4.0 mm.  
Panel cut out  $\varnothing$  12.0  $\pm$  0.2.

### How to order

<b>3 F</b>	<input type="checkbox"/>	<input type="checkbox"/>	+	<b>AQN</b>	<input type="checkbox"/> · <input type="checkbox"/>	+	<b>AQC</b>	<input type="checkbox"/>	-	<input type="checkbox"/> · <input type="checkbox"/>	+	<b>AQB01</b>	<input type="checkbox"/>
<b>Switch</b>	<b>Mounting</b>	<b>L 6</b> low temp. <b>H 9</b> high temp.		<b>Bushing</b>	<b>Panel</b>		<b>Cap</b>			<b>Overall Height</b>		<b>Sealing boot, incl. sealing ring</b>	
	<b>T</b> through-hole <b>S</b> surface mount				0.5 2.5		<b>09</b> black <b>11</b> transparent			24.2 25.2 26.2 27.2		<b>09</b> black <b>11</b> transparent	

<b>3 F</b>	<b>T</b>	<input type="checkbox"/>	+	<b>AQN</b>	<input type="checkbox"/> · <input type="checkbox"/>	+	<b>AQC</b>	<input type="checkbox"/>	-	<input type="checkbox"/> · <input type="checkbox"/>	+	<b>AQB01</b>	<input type="checkbox"/>
<b>Switch</b>	<b>Mounting</b>	<b>L 6</b> low temp. <b>H 9</b> high temp.		<b>Bushing</b>	<b>Panel</b>		<b>Cap</b>			<b>Overall Height</b>		<b>Sealing boot, incl. sealing ring</b>	
	<b>T</b> through-hole				0.5 2.5		<b>11</b> transparent			24.2 25.2 26.2 27.2		<b>11</b> transparent	
				<b>LED</b>									
				<b>00</b> blue									
				<b>20</b> green									
				<b>40</b> yellow									
				<b>60</b> white									
				<b>80</b> red									
				<b>2040</b> green/yellow									
				<b>8020</b> red/green									
				<b>8040</b> red/yellow									

Keycaps shown on this page can also be used on **illumec™ switch 4F** - see page 13

**Ordering example:** AQB0109 + AQC09-27.2 + AQN-2.5 + 3FTL6

For updates of products and/or changes of specifications please see [www.mec.dk](http://www.mec.dk)