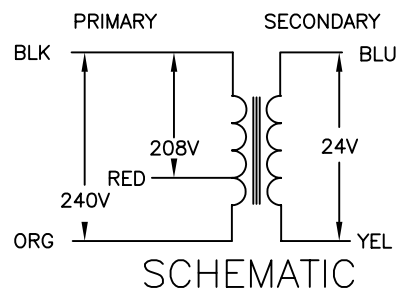
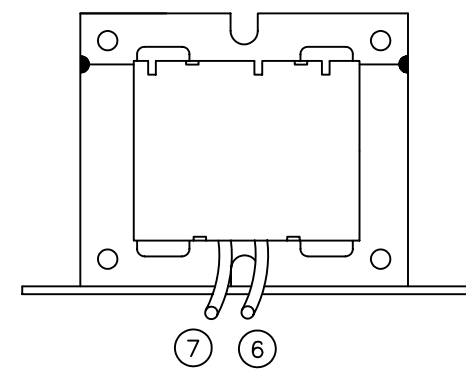
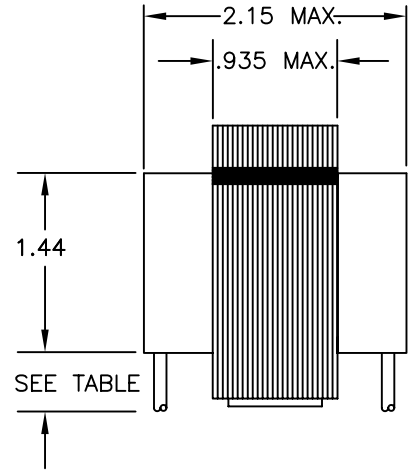
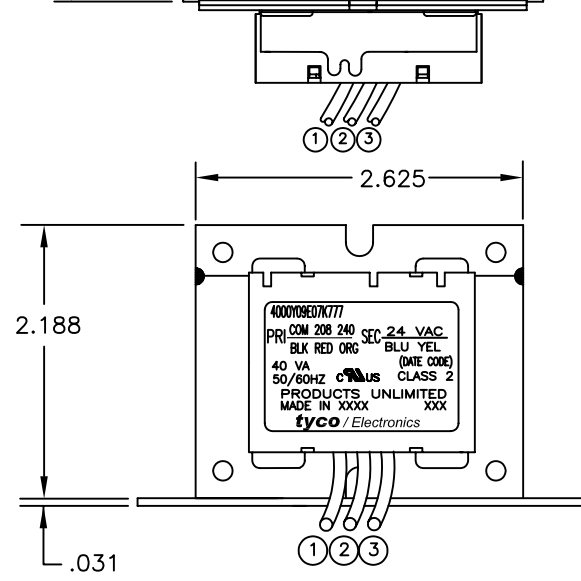


PRIMARY						SECONDARY				
LEAD NO.	1	2	3	4	5	LEAD NO.	6	7	8	9
VOLTAGE	COM	208	240			VOLTAGE	24	VAC		
COLOR	BLK	RED	ORG			COLOR	BLU	YEL		
LENGTH	9.0	9.0	9.0			LENGTH	9.0	9.0		
STRIP LENGTH	.50	.50	.50			STRIP LENGTH	.50	.50		

ALL LEADS 18AWG—UNLESS OTHERWISE SPECIFIED

NOTES:  
 1. DIMENSIONS FOR REFERENCE ONLY.  
 2. WINDING PROTECTION—INHERENTLY LIMITING

CERTIFICATION:UL/CUL FILE NO E87824



TYCO PART NUMBER  
 2-1611457-4

THIS DRAWING IS A CONTROLLED DOCUMENT.		DWN: K.H. 28JAN05	Tyco Electronics Corporation Harrisburg, PA 17105-3608	
DIMENSIONS: INCHES		CHK: DH 28JAN05	APVD: HT 28JAN05	
TOLERANCES UNLESS OTHERWISE SPECIFIED:		NAME: TRANSFORMER OUTLINE P.U. EXPORT		
0 PLC ±-		SIZE: A3		
1 PLC ±-		CAGE CODE: 00779		
2 PLC ±-		DRAWING NO: C=4000Y09E07K777		
3 PLC ±-		RESTRICTED TO		
4 PLC ±-		SCALE: 1:1		
ANGLES ±-		SHEET: 1 OF 1		
MATERIAL: -		REV: A		
FINISH: -		CUSTOMER DRAWING		