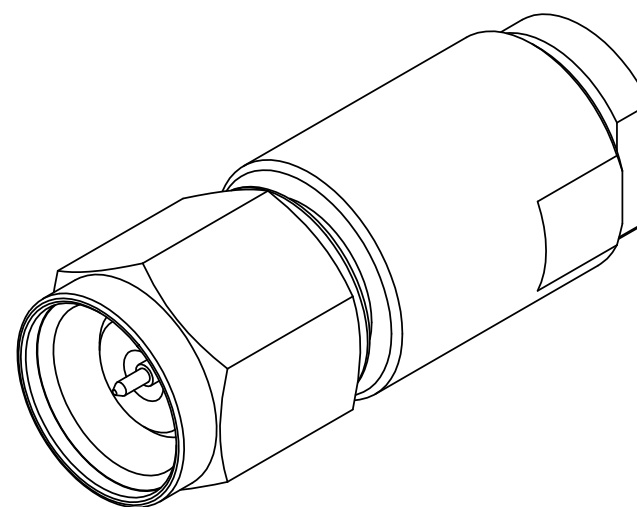
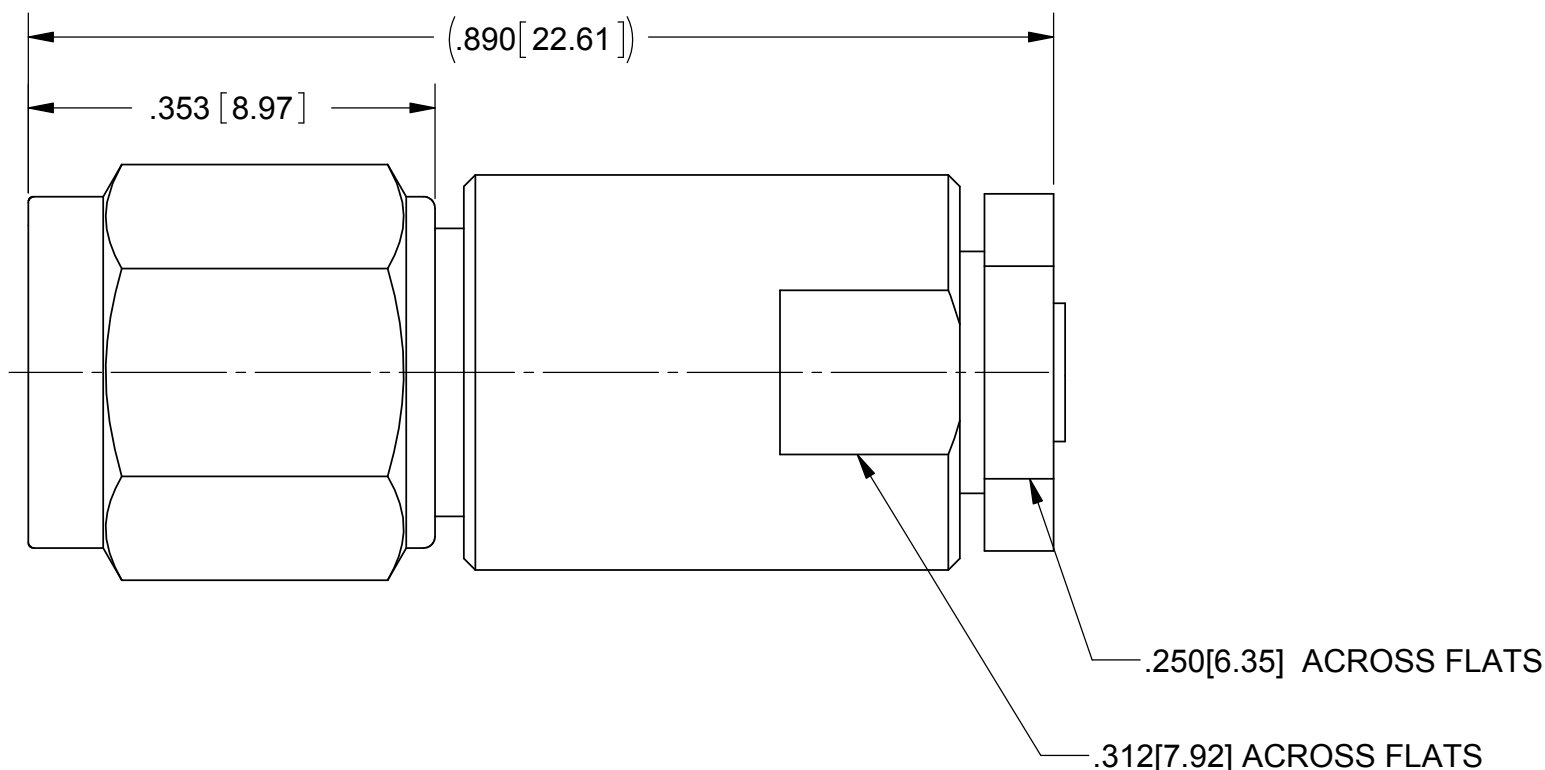
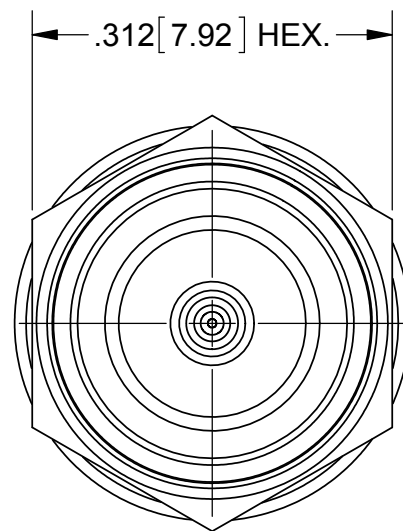


# PRODUCT DATA DRAWING

REVISION HISTORY			
REV	DESCRIPTION	DATE	APPROVED
-	REL. DCN 39275	08/10/12	STW
A	REV. DCN 41068	01/21/15	STW



- MATERIAL:**  
 BODY, CLAMP NUT, COUPLING NUT & FERRULE: STAINLESS STEEL PER AMS-5640, ALLOY UNS S30300, TYPE 1
- CONTACTS & LOCK RING:** BERYLLIUM COPPER PER ASTM B196, ALLOY No. UNS C17300, TD04
- INSULATORS:** PCTFE PER ASTM D1430
- GASKET:** SILICONE RUBBER PER A-A-59588, CLASS 2B, GRADE 50/60
- FINISH:**  
 CONTACTS & FERRULE: GOLD PER ASTM B 488, TYPE II, CODE C, CLASS 1.27; OVER NICKEL PER AMS-QQ-N-290, CLASS 1, .00005" MIN.  
 BODY, CLAMP NUT & COUPLING NUT: PASSIVATED PER AMS-2700
- PERFORMANCE:**  
 IMPEDANCE: 50 OHMS  
 FREQ. RANGE: DC TO 65.0 GHz  
 VSWR: 1.33:1 DC TO 65.0 GHz  
 INSERTION LOSS: .03 X SQRT F(F IN GHz)  
 DWV: 500 VRMS  
 OPERATING TEMP.: -55°C TO +125°C
- ENGAGEMENT/DISENGAGEMENT:** 2 IN-LBS

MATERIAL: SEE NOTES	DIMENSIONS ARE IN INCHES TOLERANCES: FRACTIONAL: ±1/64 ANGULAR: X° ±1'0" X'X' ±15'	UNLESS OTHERWISE SPECIFIED 1) ALL DIMENSIONS ARE IN INCHES (MILLIMETERS) 2) ALL DIMENSIONS ARE AFTER PLATING. 3) BREAK CORNERS & EDGES .005 R. MAX. 4) CHAM. 1ST & LAST THREADS. 5) SURFACE ROUGHNESS 63-MIL-STD-10. 6) DIA. 'S ON COMMON CENTERS TO BE CONCENTRIC WITHIN .005 T.I.R. 7) REMOVE ALL BURRS	<b>SV Microwave, Inc.</b> 2400 Centrepark West Drive, Suite 100 West Palm Beach, FL 33409
FINISH: SEE NOTES	DECIMAL: X ±.030 .XX ±.010 .XXX ±.005	INTERPRET DIMENSIONS AND TOLERANCES PER ASME Y14.5M - 1994	TITLE: 1.85MM PLUG FOR Ø.085 SEMI RIGID CABLE
SURFACE AREA: N/A	THIRD ANGLE PROJECTION	DRAWN: JMC 08/10/12	SIZE: B CAGE CODE: 95077 DWG. NO. SF3311-60003
PROPRIETARY THE INFORMATION CONTAINED IN THIS DRAWING IS THE SOLE PROPERTY OF SV MICROWAVE, INC. ANY REPRODUCTION IN PART OR AS A WHOLE WITHOUT THE WRITTEN PERMISSION OF SV MICROWAVE, INC IS PROHIBITED.		CHECKED: STW 08/10/12	SCALE: 6:1
		APPROVED: STW 08/10/12	SHEET 1 OF 1