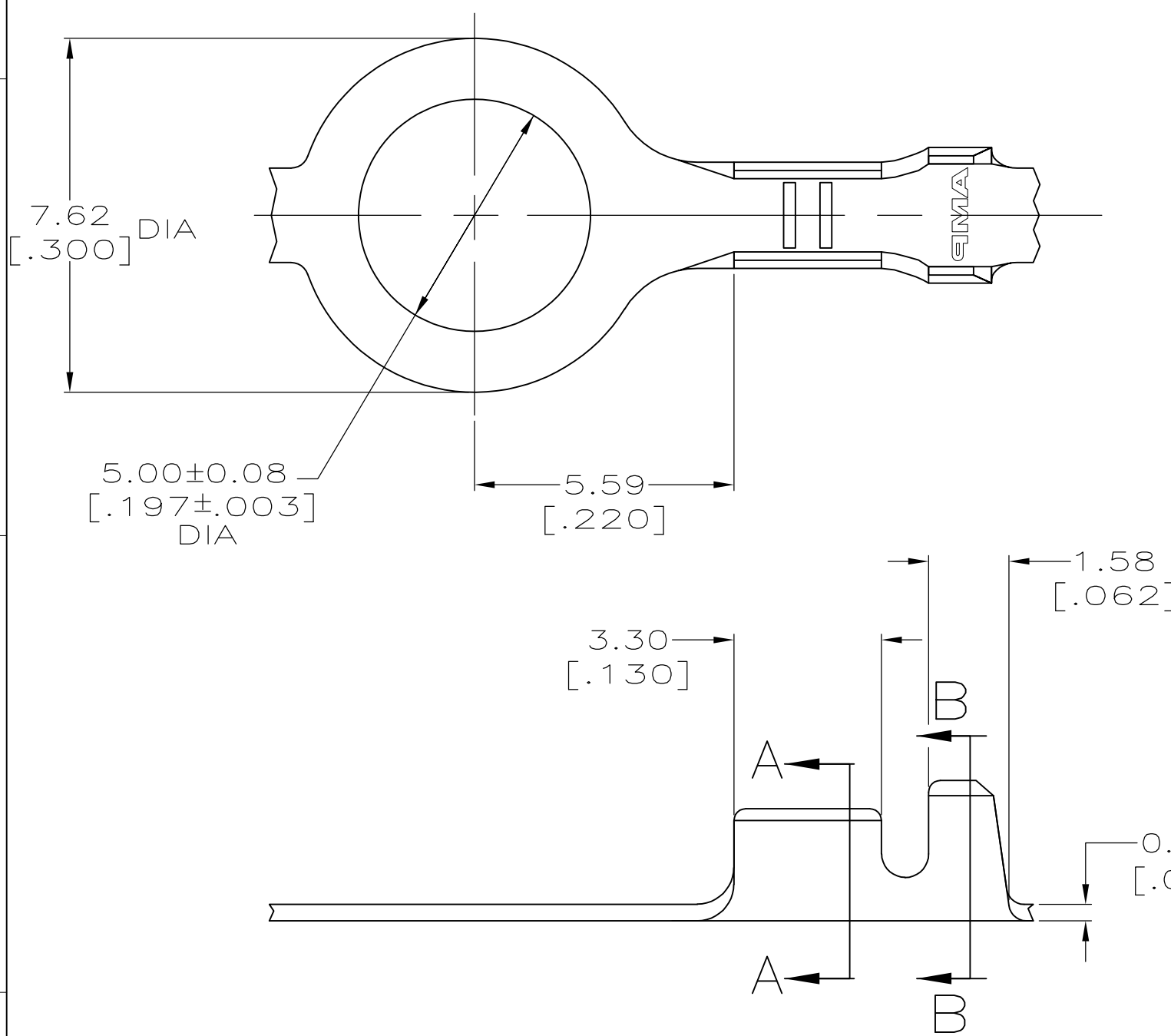
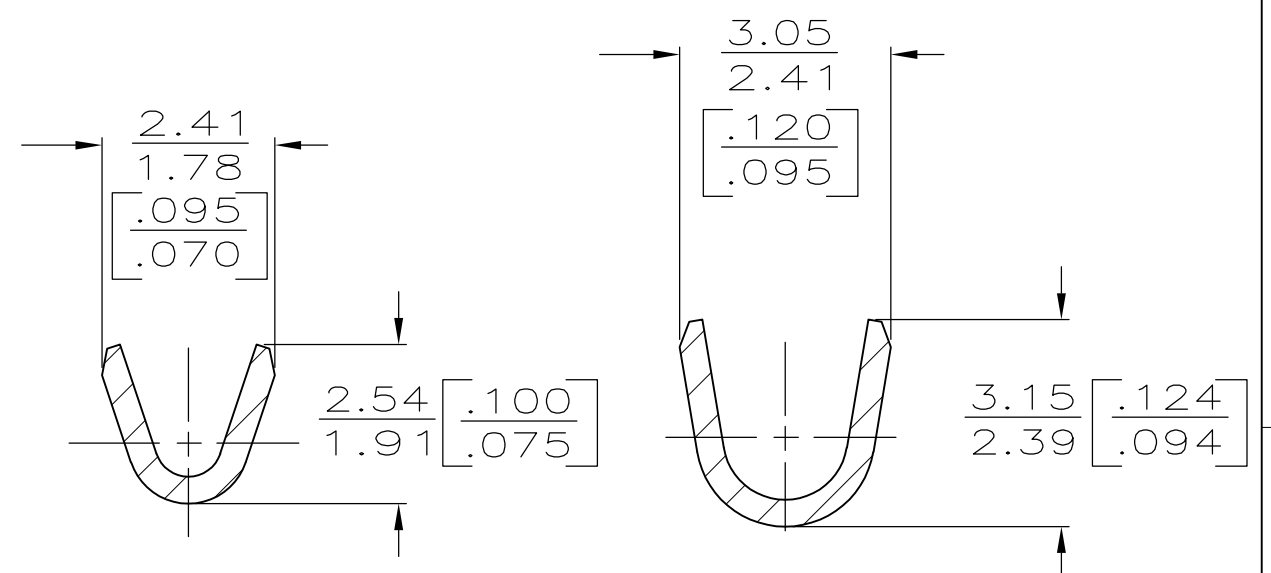


THIS DRAWING IS UNPUBLISHED. RELEASED FOR PUBLICATION
 © COPYRIGHT - By - ALL RIGHTS RESERVED.

REVISIONS					
P	LTR	DESCRIPTION	DATE	DWN	APVD
F1		REVISED PER ECR-09-000368	20JAN09	HMR	DD
F2		REVISED PER ECR-16-012480	06SEP16	ST	TD



- 1 CONTINUOUS STRIP ON REEL.
- 2 0.002032 [.000080] MIN TIN PLATE PER MIL-T-10727.



SECTION A-A
SCALE 10:1

SECTION B-B
SCALE 10:1

0.356±0.025
[0.014±0.001]

OBSOLETE	---	1.22-1.98 DIA	[24-20] AWG	60555-2
	2	[.048-.078]		60555-1
	FINISH	INSULATION RANGE	WIRE RANGE	PART NO.

TYPE	WIDTH	STRIP LENGTH	TYPE	WIDTH	HEIGHT	WIRE
INSUL BARREL CRIMP	0 .090	2.29	F	2.03	1.40 [055]	0.6mm [20]
	F .010	[090]		[080]	1.35 [053]	0.3mm [22]
		[170]			1.27 [050]	0.2mm [24]
		±0.38 [±.015]			±0.051 [±.002]	

THIS DRAWING IS A CONTROLLED DOCUMENT.

DIMENSIONS: INCHES

TOLERANCES UNLESS OTHERWISE SPECIFIED:

0 PLC	± -
1 PLC	± -
2 PLC	± 0.25 [.010]
3 PLC	± -
4 PLC	± -
ANGLES	± -

MATERIAL: 082 BRASS

FINISH: SEE TABLE

STE TE Connectivity

RING

PHILLIP M FORTNEY 6/9/94
 CHK JEFF RUTH 6/9/94
 APVD GARY YETTER 6/9/94
 PRODUCT SPEC RON KUZO 6/9/94

SIZE: A3 CAGE CODE: 00779 DRAWING NO: C-60555

WEIGHT: 0.000000

CUSTOMER DRAWING

SCALE: 8:1 SHEET: 1 OF 1 REV: F2