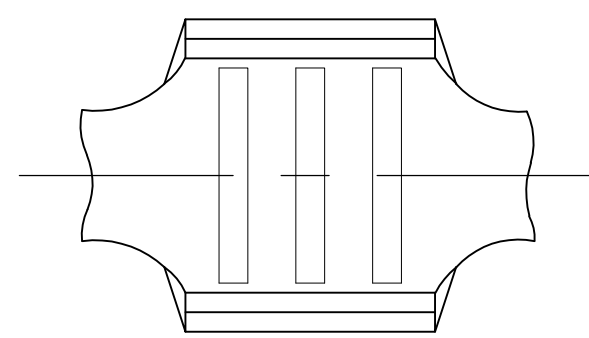
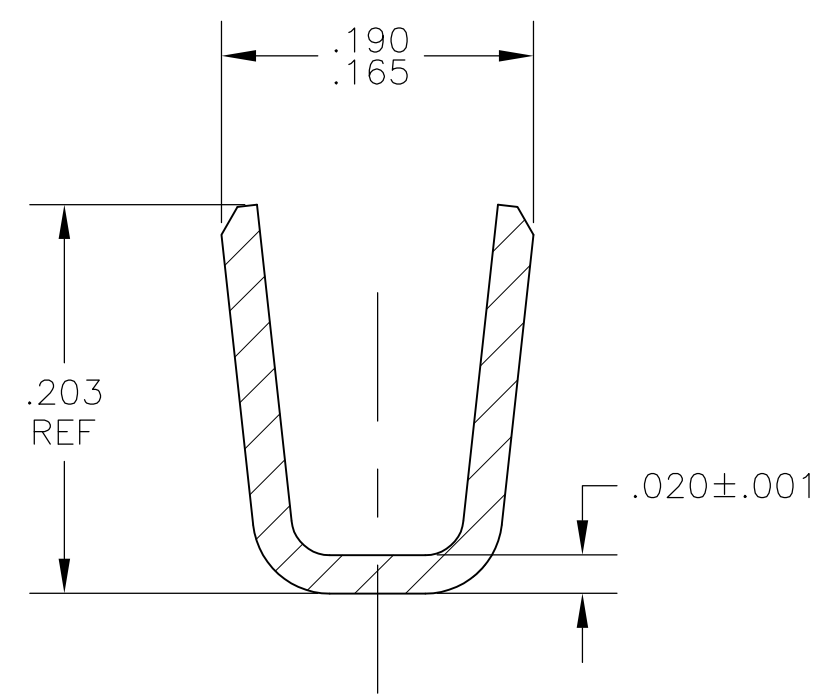
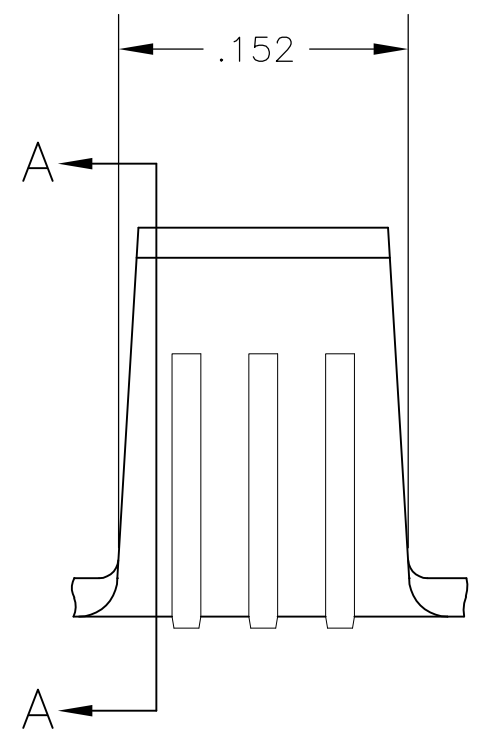


THIS DRAWING IS UNPUBLISHED. RELEASED FOR PUBLICATION  
 © COPYRIGHT BY TYCO ELECTRONICS CORPORATION. ALL RIGHTS RESERVED.

LOC	DIST	REVISIONS			
P	LTR	DESCRIPTION	DATE	DWN	APVD
	E1	ECR-07-018635(REDRAWN IN AUTOCAD)	03JUL07	HMR	GP



- 1 CONTINUOUS STRIP ON REELS.
- 2 WIRE RANGE: 3300 TO 9000 CMA
- 3 CRIMP WIDTH: .140, "F" TYPE  
 CRIMP HEIGHT  $(\pm.002) = (\text{TOTAL CMA} + 14,600) / 223,200$   
 FOR APPLICATOR INFORMATION CALL: 1-800-722-1111  
 FOR PRODUCT INFORMATION CALL: 1-800-522-6752



SECTION A-A

60470-1  
PART NO

THIS DRAWING IS A CONTROLLED DOCUMENT.		DWN RAGHAVENDRA 03JUL07	Tyco Electronics Corporation Harrisburg, PA 17105-3608		
DIMENSIONS: INCHES	TOLERANCES UNLESS OTHERWISE SPECIFIED:	CHK G.D.PORTA 03JUL07	NAME		
	0 PLC ± -	APVD G.D.PORTA 03JUL07	PRODUCT SPEC		
	1 PLC ± -		APPLICATION SPEC		
MATERIAL STAINLESS STEEL	FINISH BLACKEN	—	SIZE A3	CAGE CODE 00779	DRAWING NO G-60470
CUSTOMER DRAWING			RESTRICTED TO	SCALE 10:1	SHEET 1 OF 1
			REV E1		