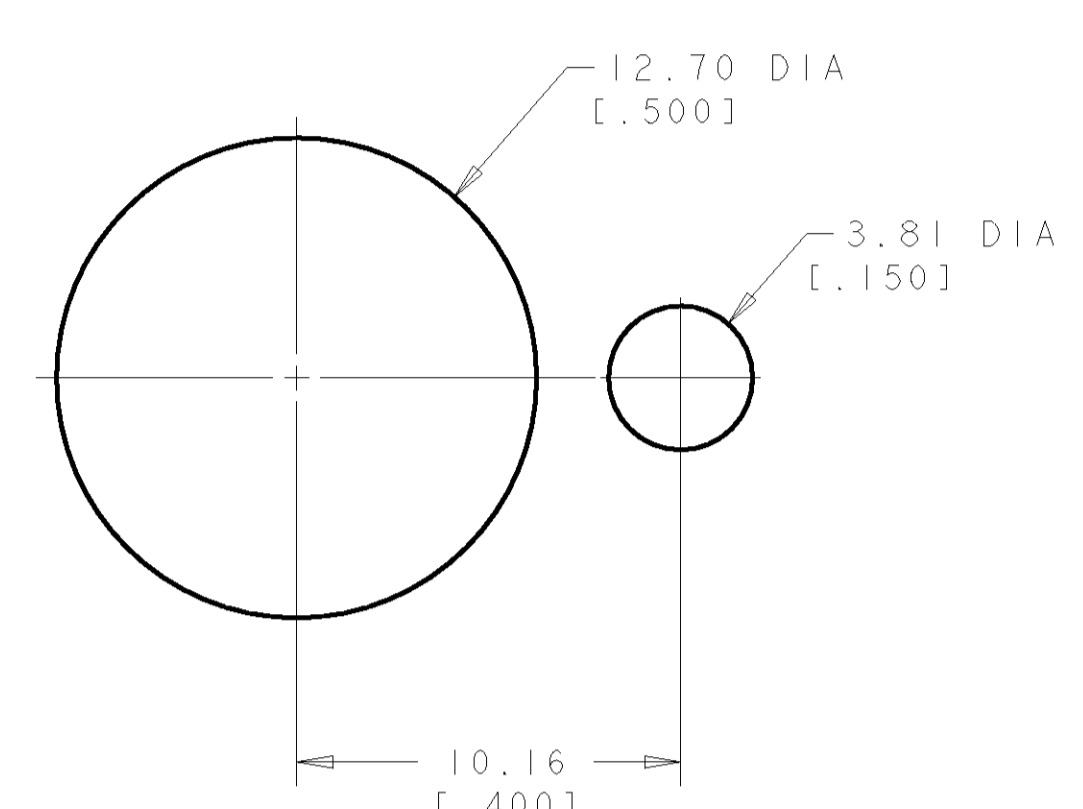
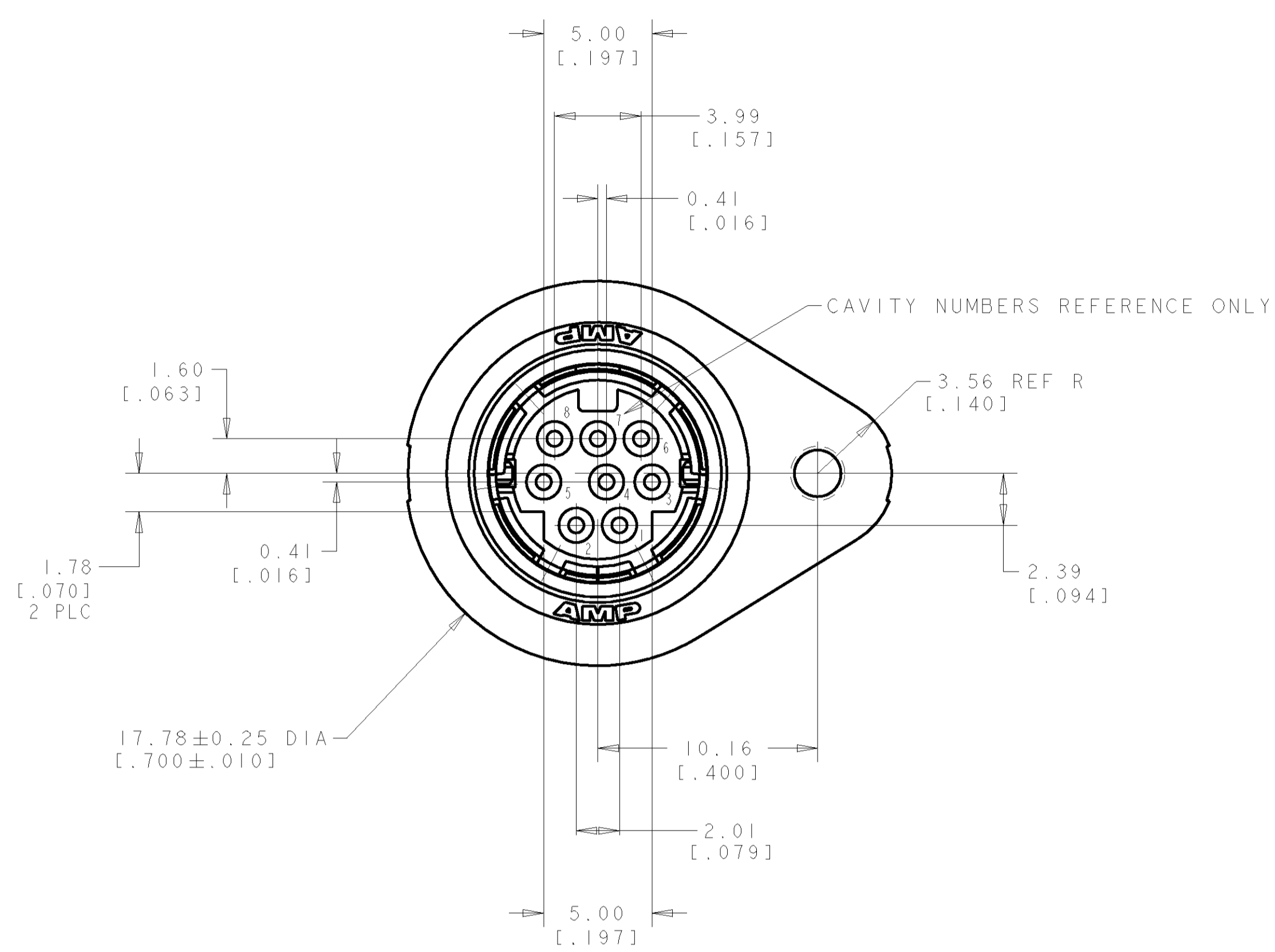
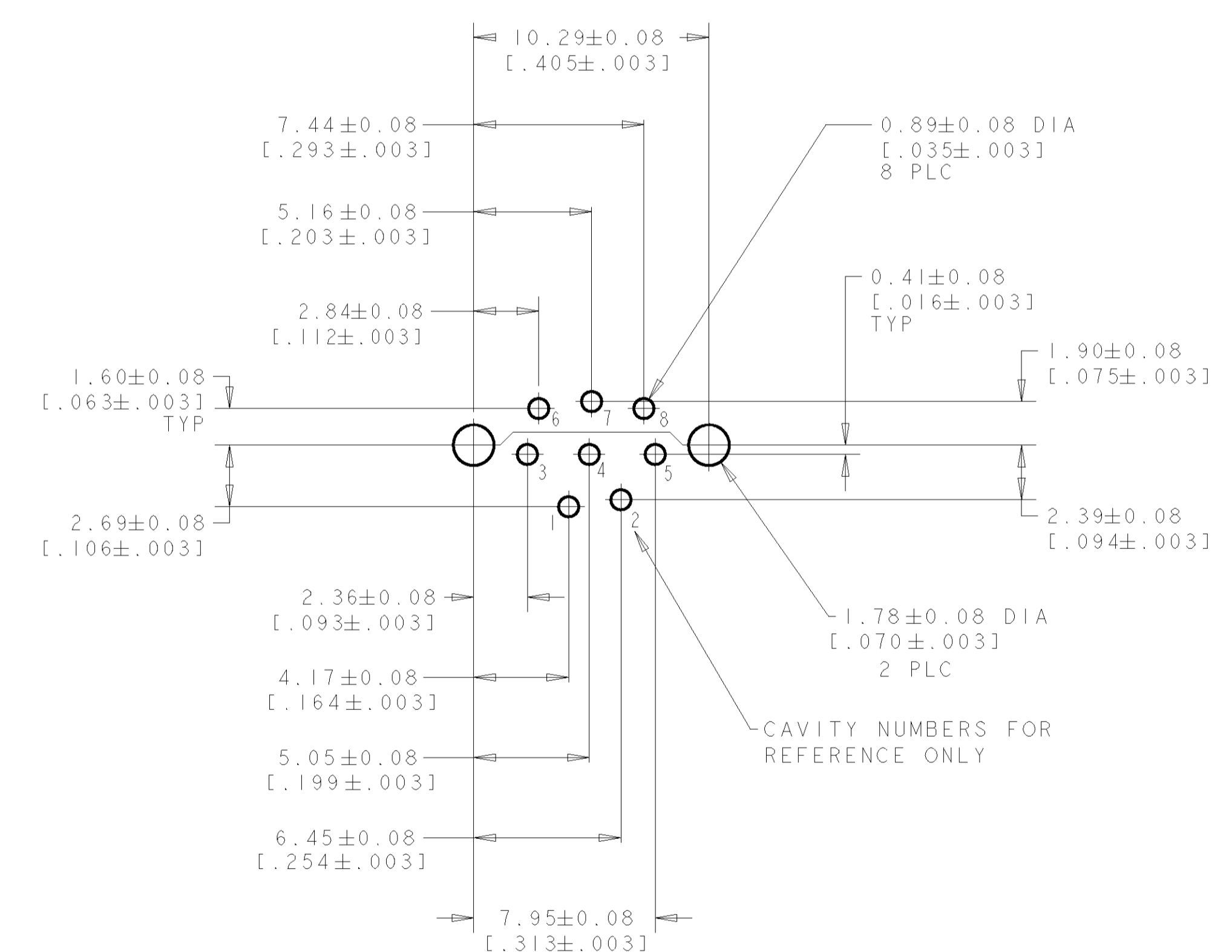
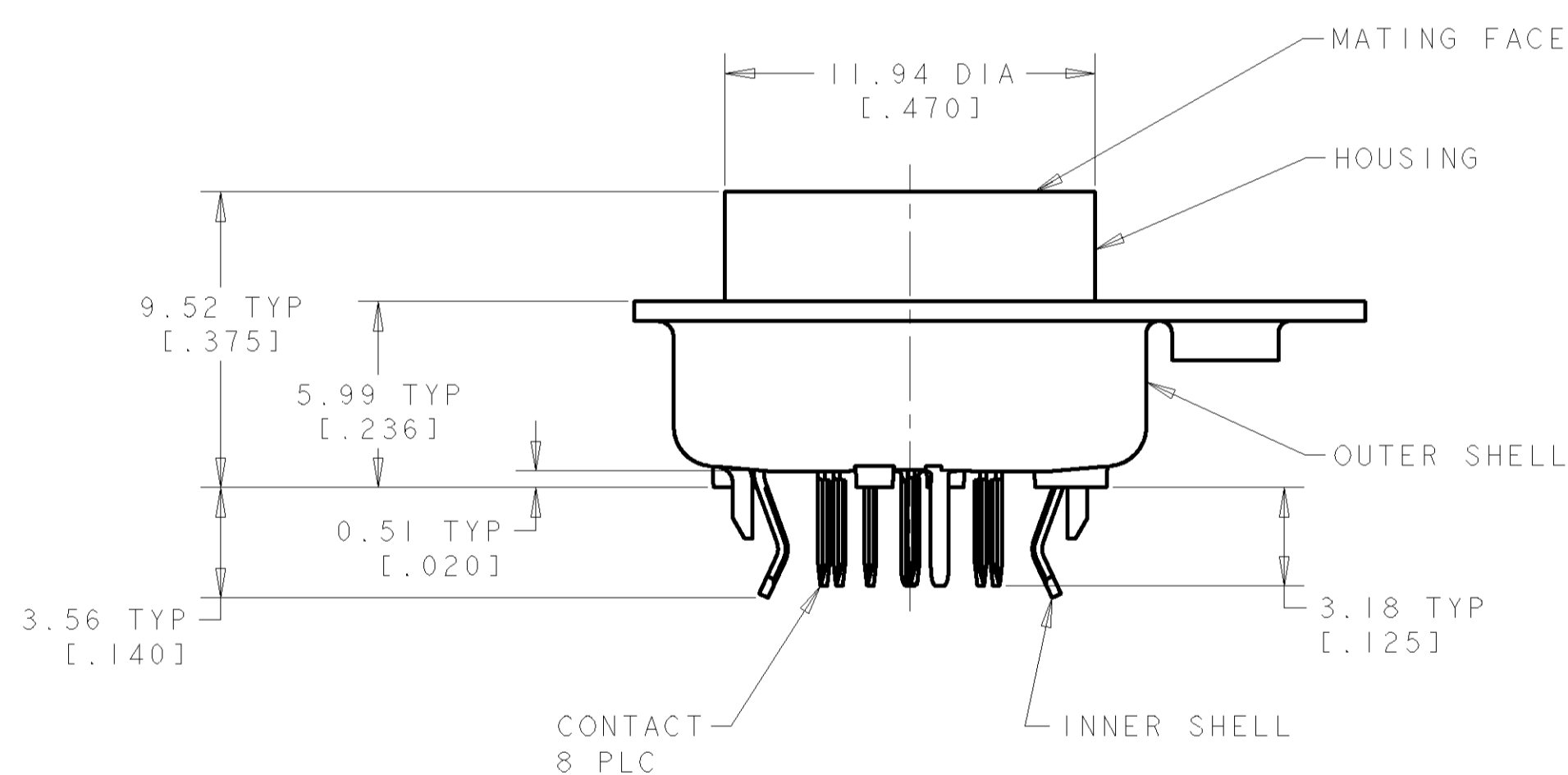


REVISONS		DATE	BY	CHKD
0	NPR FP00-0216-04	31AUG2004	LWY	LSF

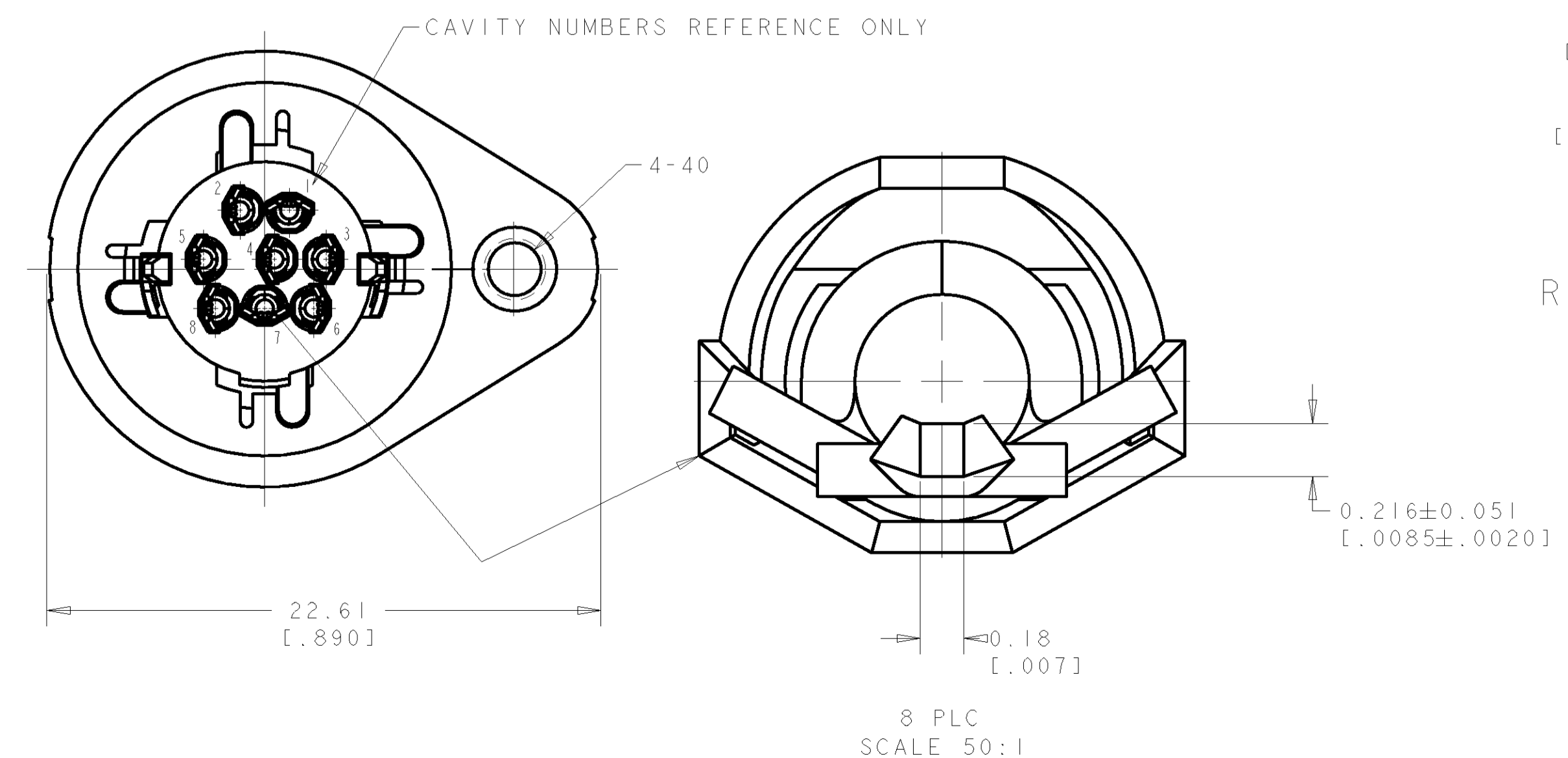


RECOMMENDED PANEL CUT-OUT

- 1 SHELLS: BRASS; CONTACTS: PHOSPHOR BRONZE; HOUSING: POLYESTER, UL 94V-0 RATED, BLACK.
- 2 0.76  $\mu\text{m}$  [.000030] MIN GOLD ON MATING END FOR A LENGTH OF 1.37 [.054] MIN ON INSIDE, 2.54  $\mu\text{m}$  [.000100] MIN TIN FOR A LENGTH OF 3.30 [.130] MIN FROM OPPOSITE END, ALL OVER 1.27  $\mu\text{m}$  [.000050] MIN NICKEL.
- 3 0.38  $\mu\text{m}$  [.000015] MIN GOLD ON MATING END FOR A LENGTH OF 1.37 [.054] MIN ON INSIDE, 2.54  $\mu\text{m}$  [.000100] MIN TIN FOR A LENGTH OF 3.30 [.130] MIN FROM OPPOSITE END, ALL OVER 1.27  $\mu\text{m}$  [.000050] MIN NICKEL.
- 4. RECEPTACLE ASSEMBLY MATES WITH 8 PIN, 8.99±0.10 [.354±.004] DIAMETER PLUG.



RECOMMENDED PC BOARD LAYOUT BOTTOM VIEW



CONTACT FINISH	5750340-2
PART NO	5750340-1
Tyco Electronics Singapore Pte. Ltd.	
<b>RECEPTACLE ASSEMBLY, 8 POSN, LOW FLANGE, SHIELDED, VERTICAL, MINATURE CIRCULAR DIN</b>	
SIZE	CAGE CODE
A1	00779
SCALE	5:1
SHEET	1 OF 1
REV	0

<small>THIS DRAWING IS A CONTROLLED DOCUMENT FOR AMP INCORPORATED. ALL DIMENSIONS SHALL BE TO THE DIMENSIONS ON THE DRAWING UNLESS OTHERWISE SPECIFIED. FOR THE LATEST REVISION, ORGANIZATION SHOULD BE CONTACTED FOR THE LATEST REVISION.</small>		DWG: WYLEE CHK: SF LEONG APD: SF LEONG PRODUCT SPEC: - APPLICATION SPEC: - WEIGHT: - CUSTOMER DRAWING: -
DIMENSIONS: mm [INCHES] TOLERANCES UNLESS OTHERWISE SPECIFIED: 0 PLC ± 1 PLC ± 2 PLC ±0.13 [.005] 3 PLC ± 4 PLC ± ANGLES ±	31AUG2004 NAME: SF LEONG DRAWING NO: A100779 SCALE: 5:1	DATE: 31AUG2004 BY: LWY CHKD: LSF