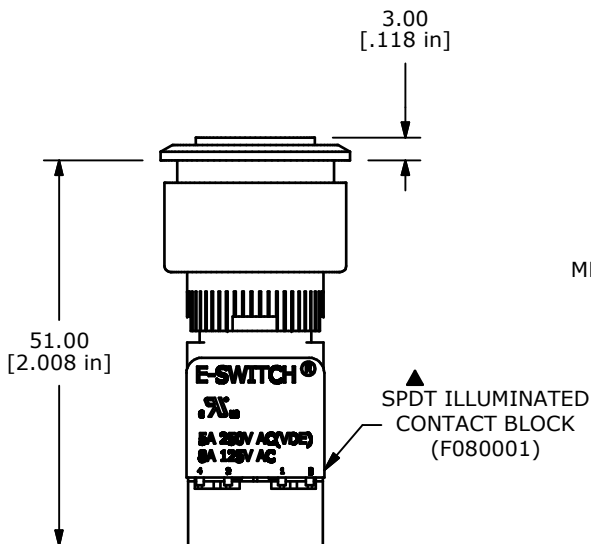
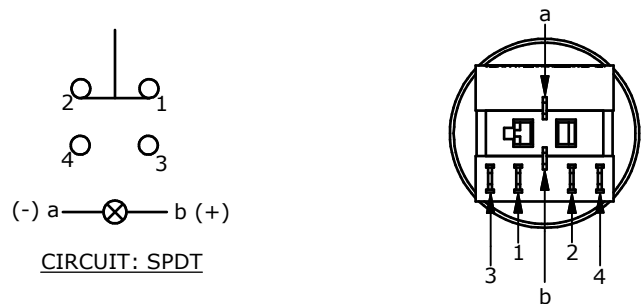
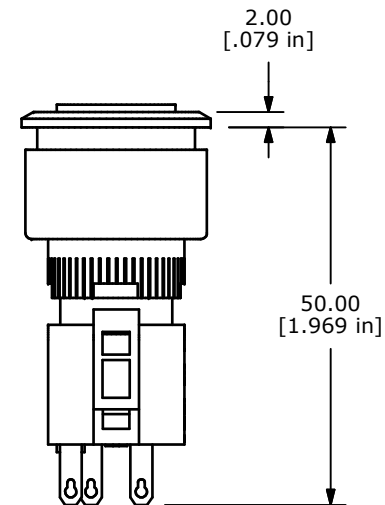


ACTUATOR COLOR:
RED

ISOMETRIC



MDP160AR33R
(F083111)



SOCKET PROTECTOR
REMOVED (FOR
CLARIFICATION)

- NOTE:
1. ALL DIMENSIONS IN MM [INCH]
 2. GENERAL TOLERANCE: X.X=±0.4
X.XX=±0.25
 3. TERMINAL NUMBERS FOR REF ONLY
 - ▲ 4. RATING: UL: 5A @ 250VAC; 8A @125VAC
 5. INSULATION RESISTANCE: 50 MEGA-OHMS (INITIAL)
 - ▲ 6. ELECTRICAL LIFE: 30,000 MAKE-AND-BREAK CYCLES min.
 7. CONTACT MATERIAL: SILVER
 8. PANEL THICKNESS RANGE: 0.50 - 5.00 mm
 9. OPERATING TEMP.: -25°C to 55°C
 10. STORAGE TEMP.: -40°C to 70°C
 11. ▲ DENOTES CRITICAL PARAMETER.
 12. 2002/95/EC (ROHS) COMPLIANT
 13. PACKAGING: SHIPPED SEPARATELY IN BULK
 14. LAMP: 28VAC INCANDESCENT
 15. DEGREE OF PROTECTION: IP65



A	18776	RELEASED FOR PRODUCTION	2/11/10	BLR
REV	PCR NO	DESCRIPTION	DATE	BY

TITLE MDP160AR3103R				
SCALE	DATE	DR	DWG	REV
1.25 : 1	2/11/2010	BLR	XF0812P	A

THE INFORMATION CONTAINED IN THIS DOCUMENT IS PROPRIETARY TO E-SWITCH AND IS NOT TO BE COPIED OR TRANSFERRED