

4 CIRCUIT

6 CIRCUIT

8 CIRCUIT

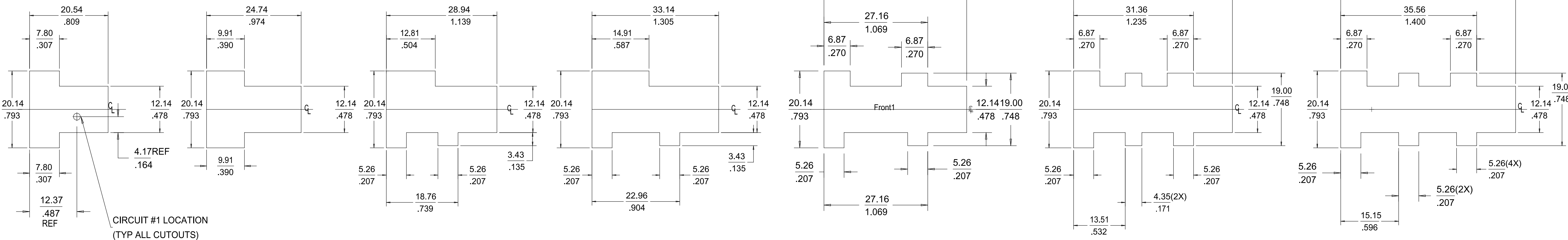
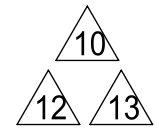
10 CIRCUIT

12 CIRCUIT

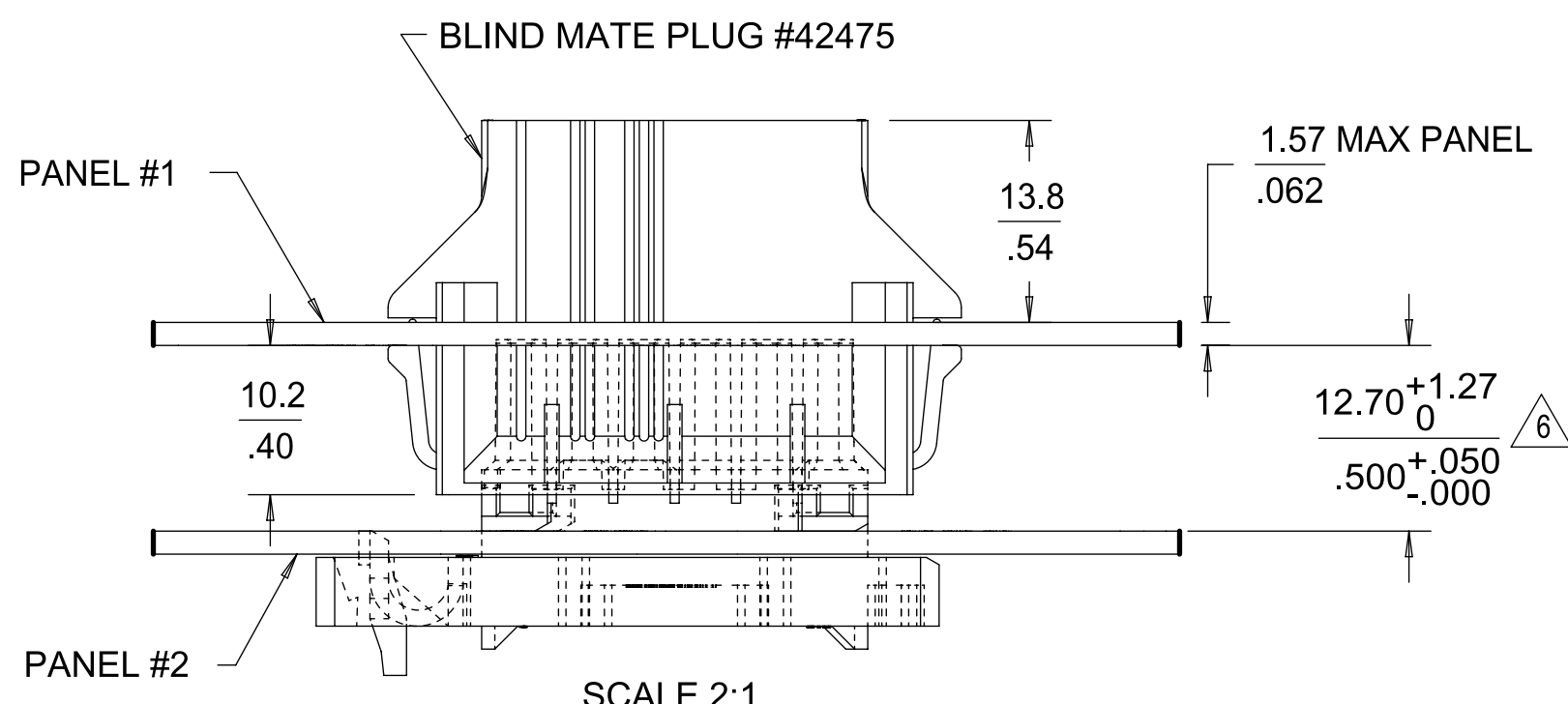
14 CIRCUIT

16 CIRCUIT

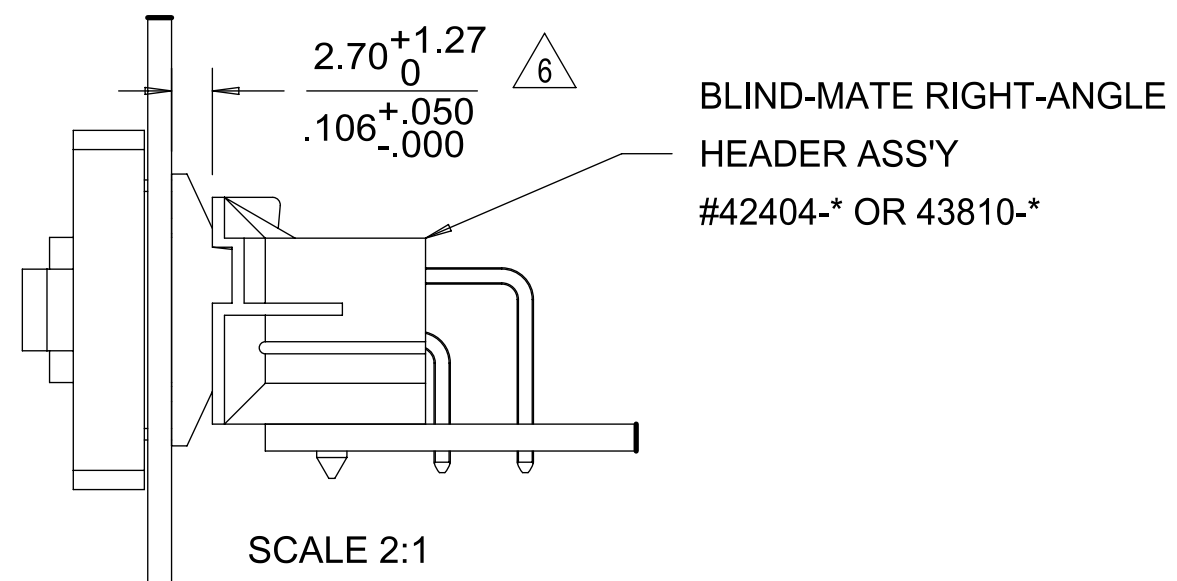
RECOMMENDED PANEL CUTOUTS
VIEWED FROM MATING SIDE



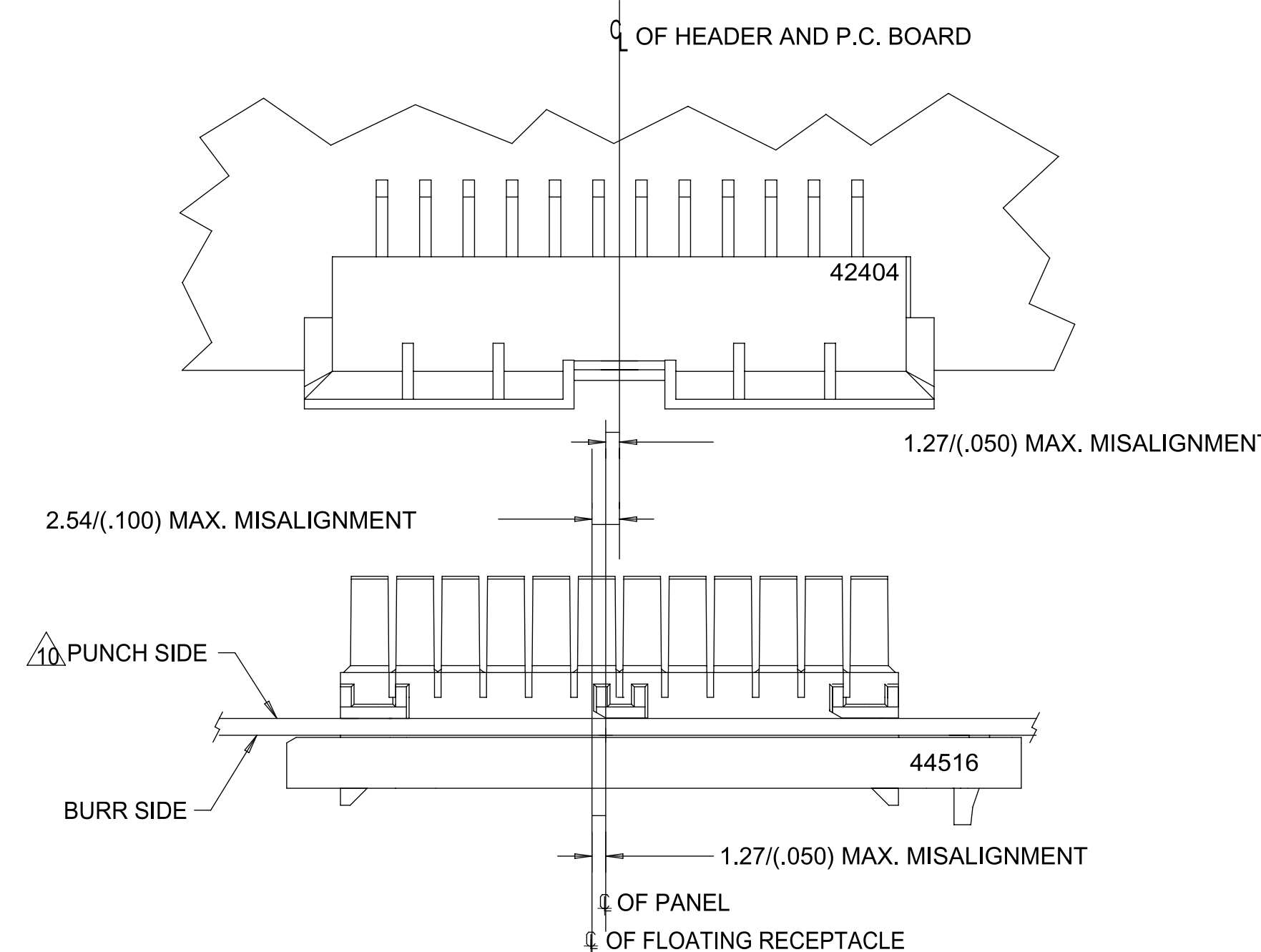
CIRCUIT #1 LOCATION
(TYP ALL CUTOUTS)



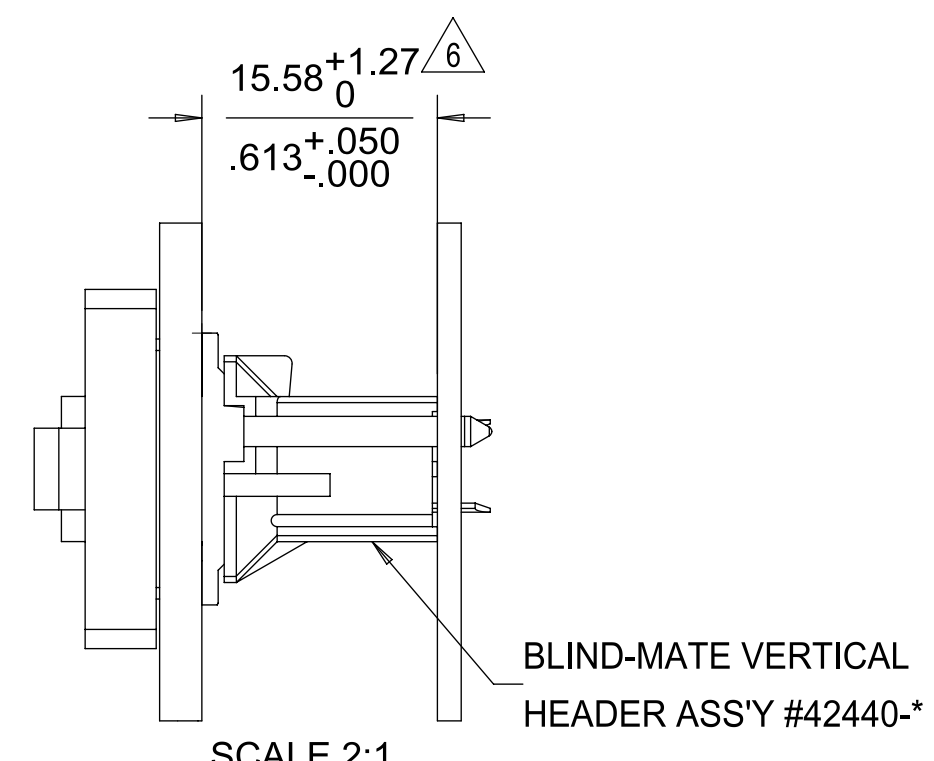
SCALE 2:1
PANEL-TO-PANEL
APPLICATION #1



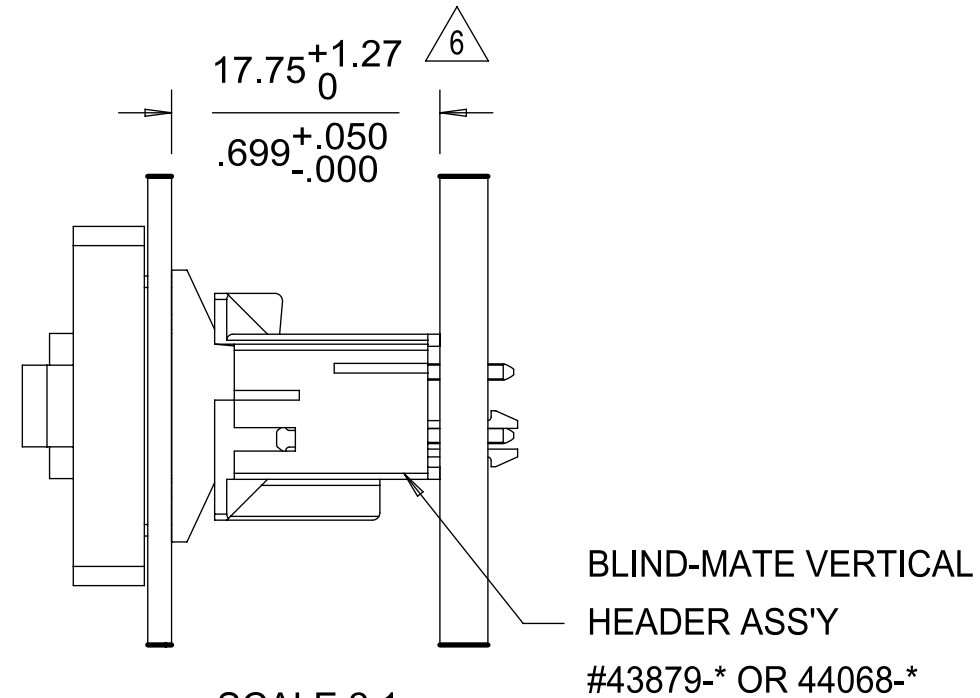
SCALE 2:1
PANEL-TO-P.C. BOARD
APPLICATION #3



ALIGNMENT TOLERANCES FOR 1.27/(.050) MAX. BOARD TO PANEL MISALIGNMENT
±1.27/(.050) RECEPTACLE FLOAT.



SCALE 2:1
PANEL-TO-P.C. BOARD
APPLICATION #2



SCALE 2:1
PANEL-TO-P.C. BOARD
APPLICATION #4

| | | | | | | |
|---|---|---|---------------------------------------|---|--|--|
| QUALITY SYMBOLS ∇ = 0 ∇ = 0 ∇ = 0 ▽ = 0 ∇ = 0 ⊗ = 0 ■ = 0 ∇ = 0 | THIS DRAWING CONTAINS INFORMATION THAT IS PROPRIETARY TO MOLEX ELECTRONIC TECHNOLOGIES, LLC AND SHOULD NOT BE USED WITHOUT WRITTEN PERMISSION | | DIMENSION UNITS SCALE MM/IN 2:1 | | | |
| | GENERAL TOLERANCES (UNLESS SPECIFIED) | | DRWN BY DATE HRIBAR 01/08/21 | | | PRODUCT CUSTOMER DRAWING PANEL-MOUNT RECEPTACLE, 4-16 CKT. BLIND MATE, MINI-FIT SLIDE 'N' LOCK |
| | 4 PLACES ± ± 3 PLACES ± ± .010 2 PLACES ± 0.25 ± .014 1 PLACES ± 0.35 ± | | CHKD BY DATE BANDURA 01/08/21 | | | |
| | ANGULAR TOL ± 1/2 DRAFT WHERE APPLICABLE MUST REMAIN WITHIN DIMENSIONS | | APPR BY DATE MARGULIS 01/08/21 | | | |
| EC NO. 102885 DRWN CSIAFTER CHKD. JBELL REV. APPR. FSMITH | | DRAWING SIZE THIRD ANGLE PROJECTION D | | SERIES MATERIAL NUMBER CUSTOMER 44516 SEE CHART GENERAL MARKET | | |
| RELEASE -0002 B4 | | DOCUMENT NUMBER DOC TYPE DOC PART SHEET NUMBER SD-44516-004 PSD 000 2 OF 2 | | | | |