



# PRODUCT DATASHEET

## Lena series

last update 23/2/2014

### DETAILS

<b>Product Number</b>	CN13343_LENA-X-WAS-DL
<b>Family</b>	Lena
<b>Type</b>	RefPack
<b>Color</b>	white
<b>Diameter</b>	111 mm
<b>Height</b>	42 mm
<b>Style</b>	round
<b>Optic Material</b>	HRC
<b>Holder Material</b>	
<b>Fastening</b>	socket, screw
<b>Status</b>	production ready
<b>ROHS Compliant</b>	Yes
<b>Date Updated</b>	23/02/2014



### OPTICAL PROPERTIES

LED	Viewing Angle	Light Beam	Efficiency	cd/lm	Connector
CXA/B 25xx	Asymmetric deg	Asymmetric	78 %	0.500	-

D

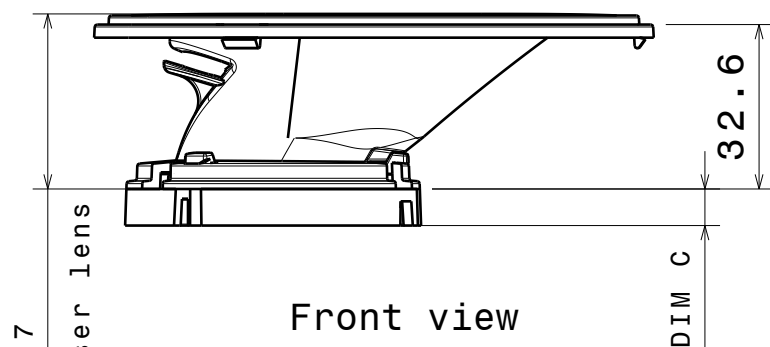
C

B

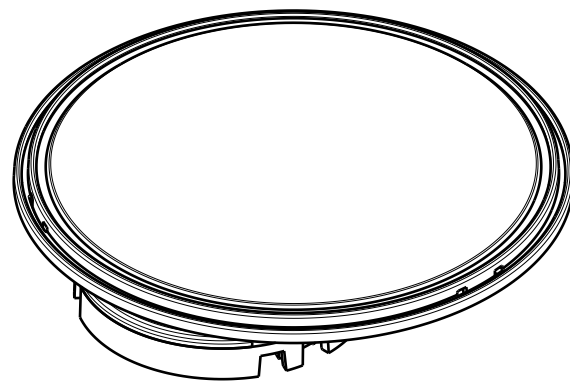
A

4

4



Front view



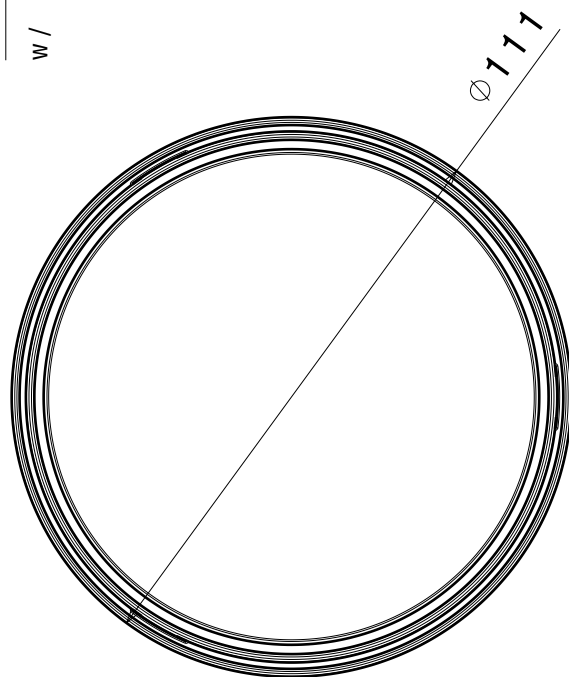
Isometric view

34.7  
w/ diffuser lens

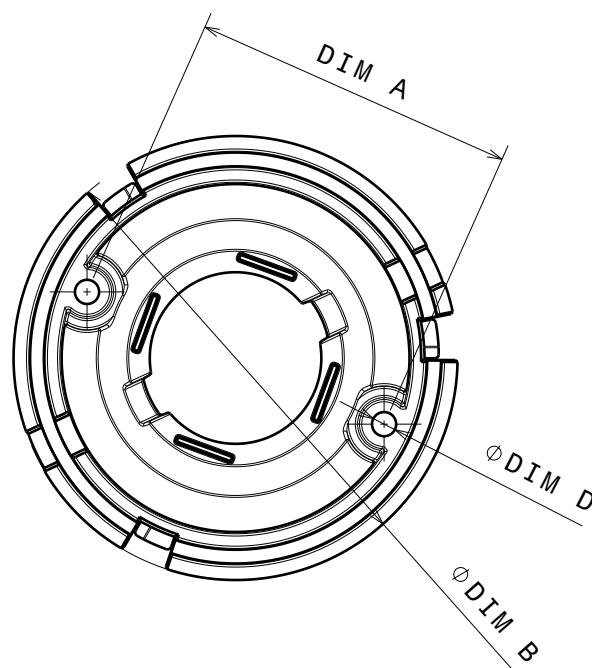
DIM C

3

3



Top view



Bottom view

2

2

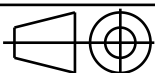
Base Part	DIM A	DIM B	DIM C	DIM D
C13186_LENA-STD-BASE-CXA15	43 mm	58,7 mm	7 mm	3,2 mm
C12924_LENA-STD-BASE-LUXEON-K	43 mm	58,2 mm	6,5 mm	3,2 mm
C13324_LENA-STD-BASE-CXA25	43 mm	58,7 mm	7,3 mm	3,2 mm
C12692_LENA-STD-BASE-CLL040	41,3 mm	58,6 mm	7,3 mm	3,2 mm
C12691_LENA-STD-BASE-CLL030	43 mm	58,6 mm	5,4 mm	3,2 mm
C11995_LENA-STD-BASE-CL340	43 mm	58,6 mm	6 mm	3 mm
C12153_LENA-STD-BASE-BXRA	43 mm	58,6 mm	6,3 mm	2,99 mm

Tolerances if not otherwise shown  
According to DIN ISO 2768-1  
Linear measures:  
Up to 30mm class M, otherwise class C.  
According to DIN ISO 2768-2  
Form and position: class L

LEDiL

Ledil Oy  
Salorankatu 10  
FIN 24240 SALO  
Finland

THIRD ANGLE PROJECTION:



DRAWING TITLE

LENA-X-WAS Datasheet

This drawing is the property  
of LEDiL Oy. It may not be  
reproduced, copied or  
communicated without a written  
agreement with LEDiL Oy.

SIZE PART NUMBER

A4

SCALE 2:3 WEIGHT - g

SHEET 1/1

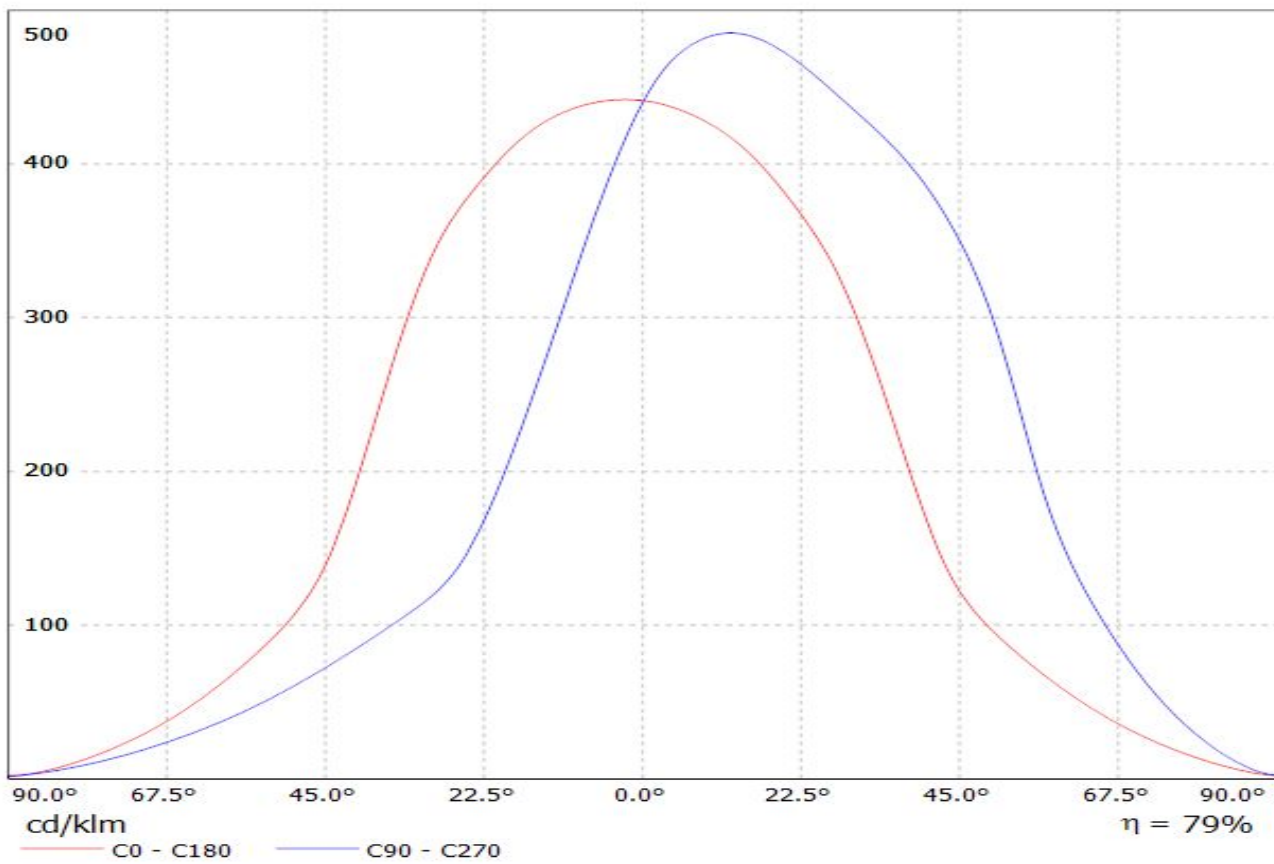
1

1

D

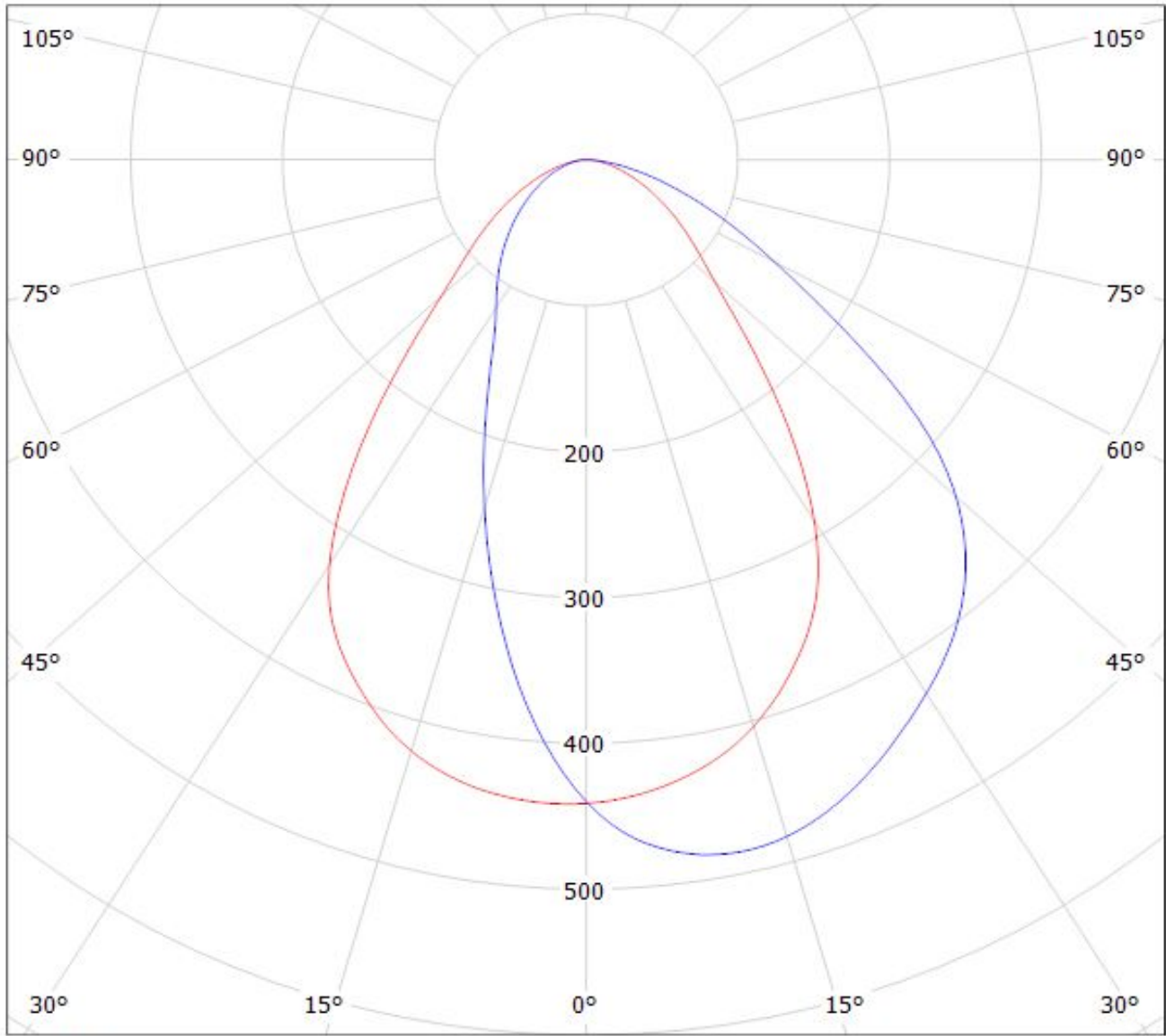
A

Luminaire: LEDiL Oy CN13343\_LENA-X-WAS-DL\_(CXA25) Eff.78.5%  
Lamps: 1 x CREE\_CXA25\_(2520-7A-N4-N0U) 888.265lm@250mA CCT=3000K P=8.58457W I=249.9mA



Luminaire: LEDiL Oy CN13343\_LENA-X-WAS-DL\_(CXA25) Eff.78.5%

Lamps: 1 x CREE\_CXA25\_(2520-7A-N4-N0U) 888.265lm@250mA CCT=3000K P=8.58457W I=249.9mA



cd/klm

— C0 - C180

— C90 - C270

$\eta = 79\%$

**NOTE: The typical divergence will be changed by different color, chip size and chip position tolerance. The typical total divergence is the full angle measured where the luminous intensity is half of the peak value.**