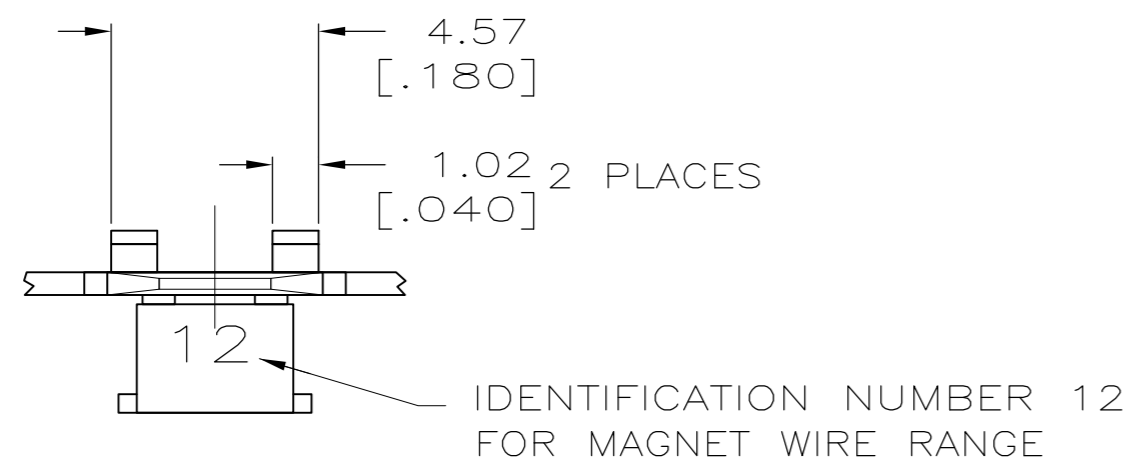
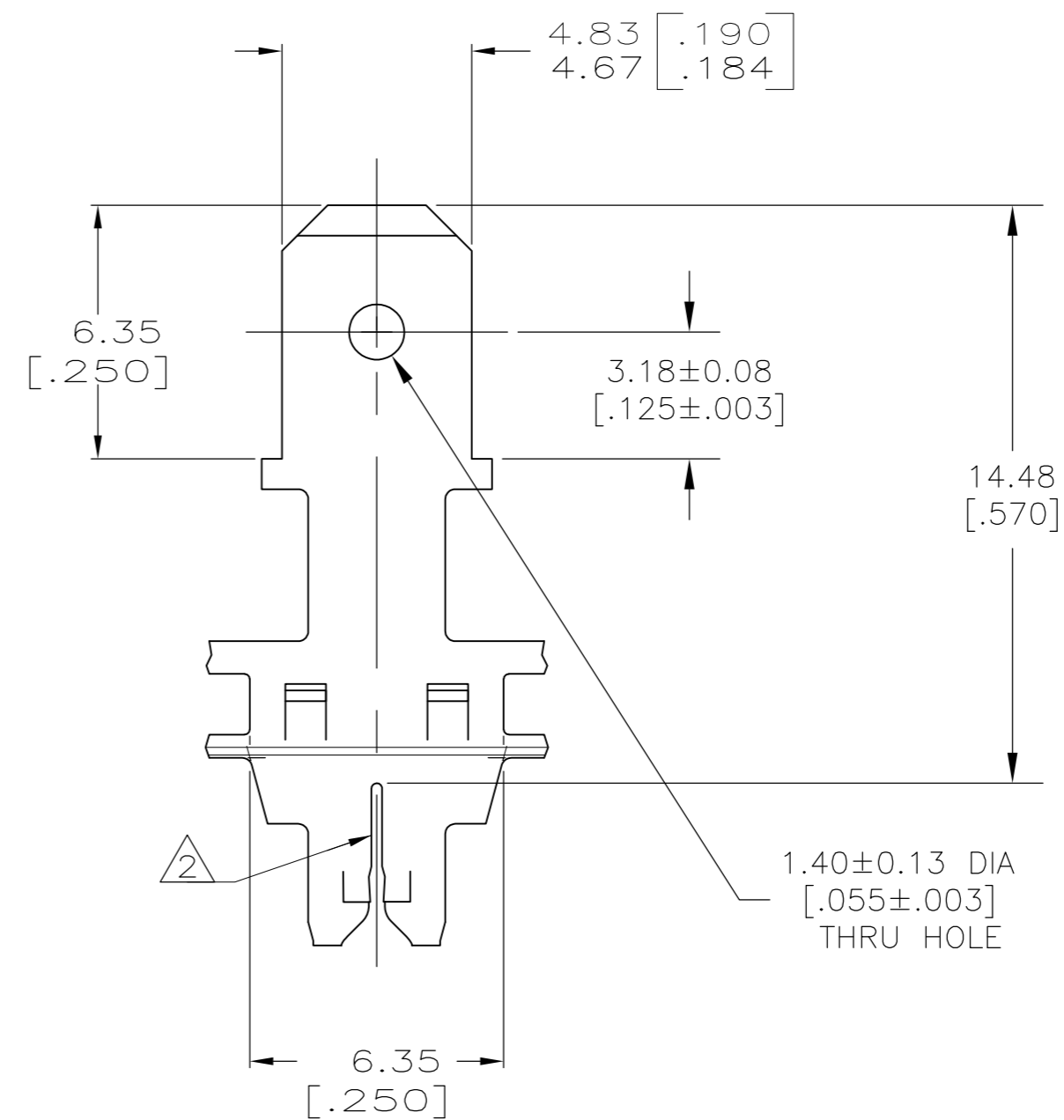
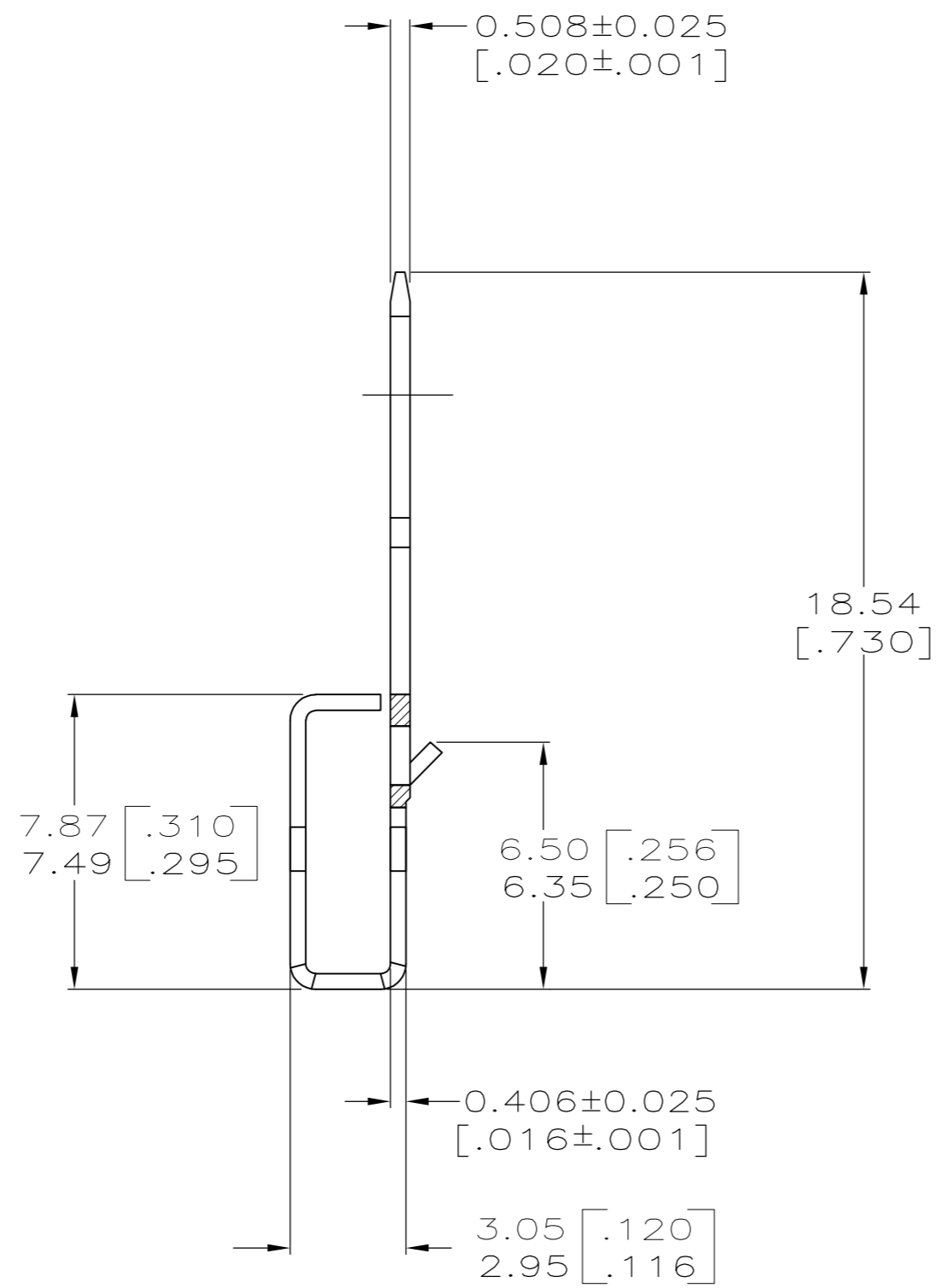
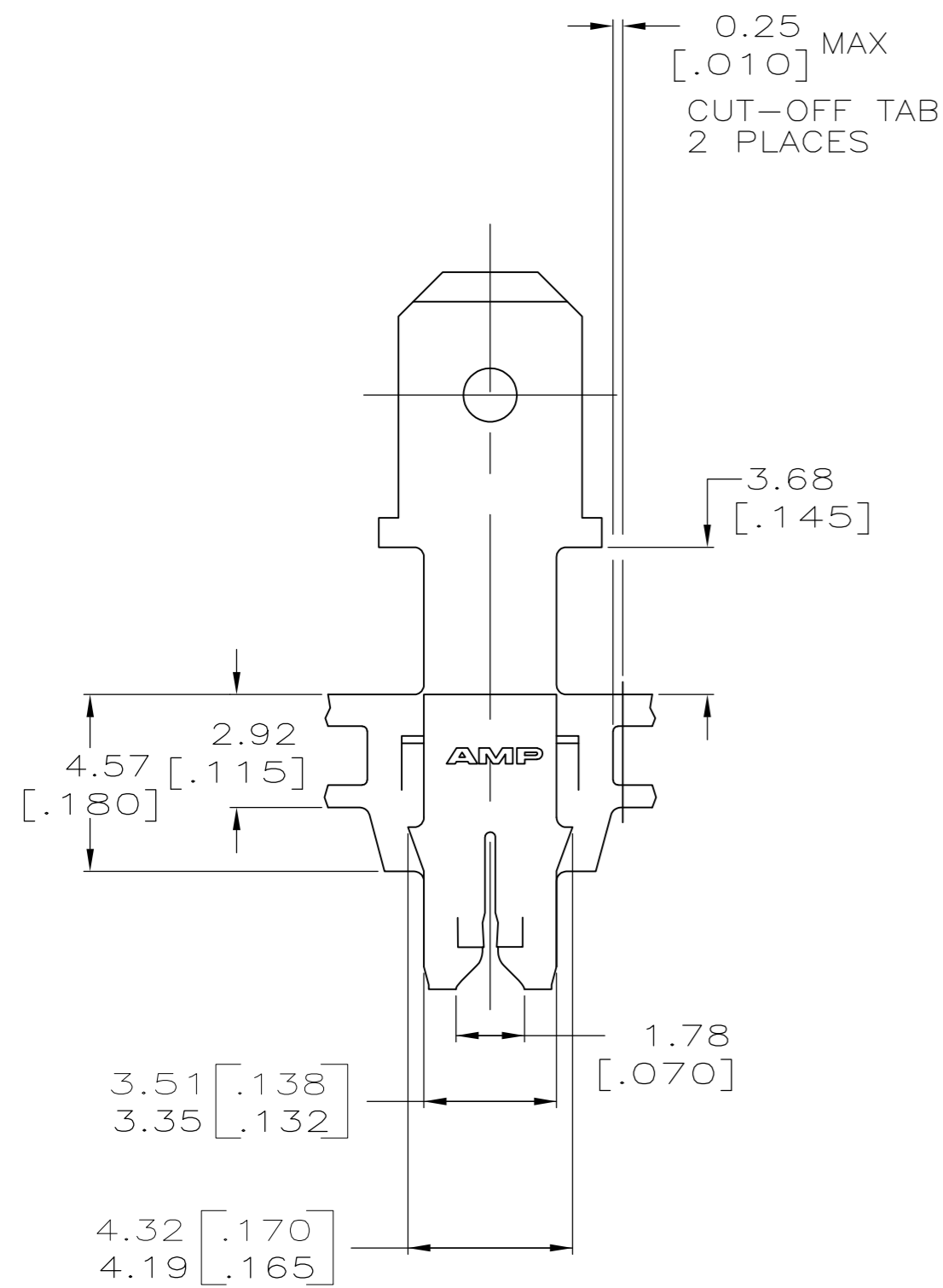


THIS DRAWING IS UNPUBLISHED. RELEASED FOR PUBLICATION
 © COPYRIGHT - By - ALL RIGHTS RESERVED.

LOC	DIST	REVISIONS					
		P	LTR	DESCRIPTION	DATE	DWN	APVD
AF	50	B1		ECR-13-016672	25OCT13	PKS	RRP



- 1 CONTINUOUS STRIP ON REELS WITH TERMINALS LOCATED ON 8.38±0.08 [.330±.003] CENTERS.
- 2 SLOT ACCEPTS 0.45-0.64mm [#25-#22] AWG COPPER MAGNET WIRE. TWO WIRES OF THE SAME SIZE PER SLOT EXCEPT 0.62mm [#22] AWG WHICH IS ONE WIRE ONLY.



1217931-1
 PART NUMBER

THIS DRAWING IS A CONTROLLED DOCUMENT.		DWN	JR RUTH	13MAR03	 TE Connectivity						
DIMENSIONS: mm [INCHES]		CHK	KURT A. RANDOLPH	13MAR03							
TOLERANCES UNLESS OTHERWISE SPECIFIED:		APVD	KURT A. RANDOLPH	13MAR03							
0 PLC ± - 1 PLC ± - 2 PLC ± 0.25 [.010] 3 PLC ± - 4 PLC ± - ANGLES ± -		NAME	TAB, 4.75 [.187] FASTON,™ 300 SERIES MAG-MATE™								
MATERIAL	BRASS	FINISH	TIN PLATE	PRODUCT SPEC	108-2012						
		WEIGHT	-	APPLICATION SPEC	114-2094						
		CUSTOMER DRAWING	SCALE	6:1	SHEET	1 of 1					
				SIZE	A2	CAGE CODE	00779	DRAWING NO	1217931	RESTRICTED TO	-
				REV	B1						