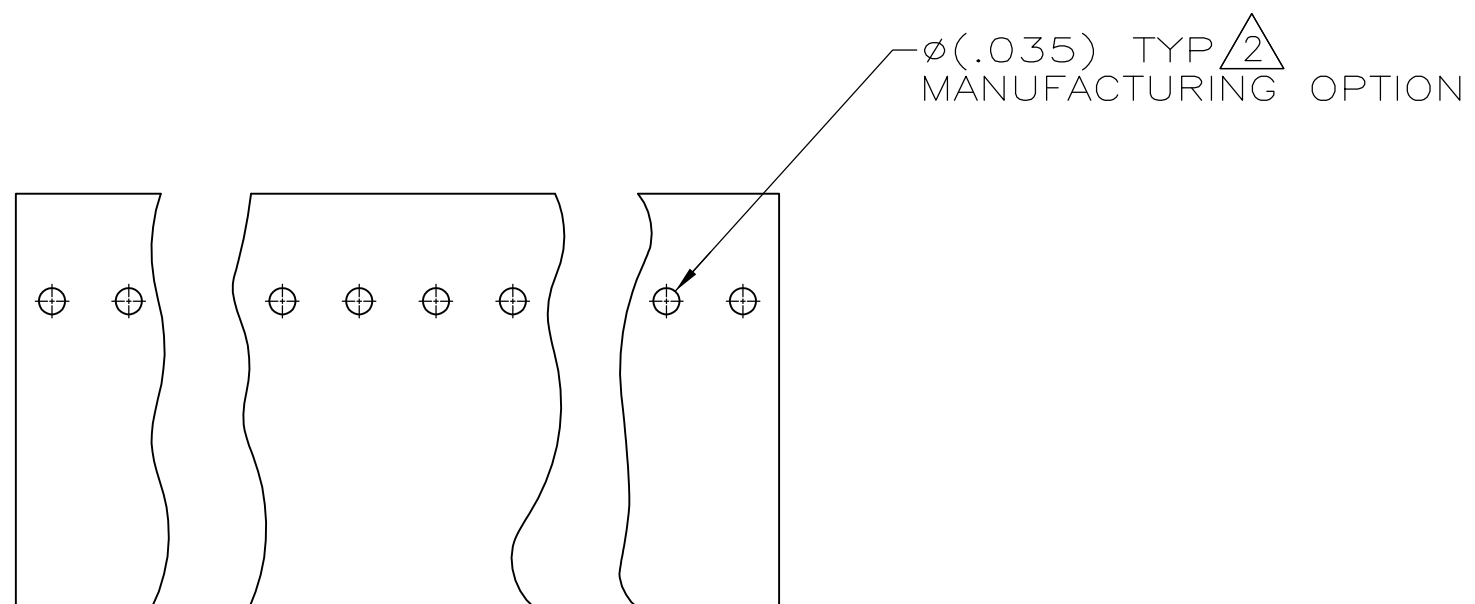
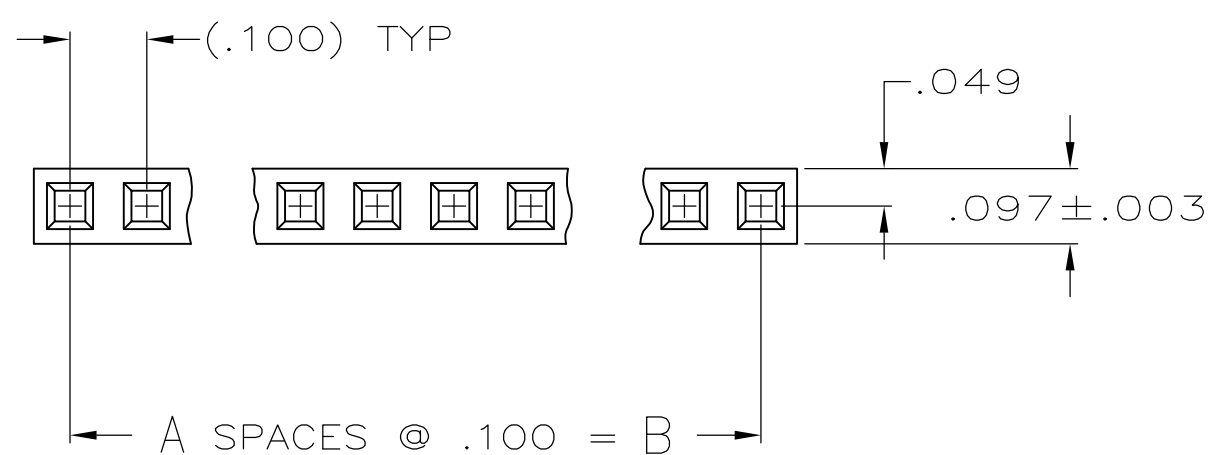
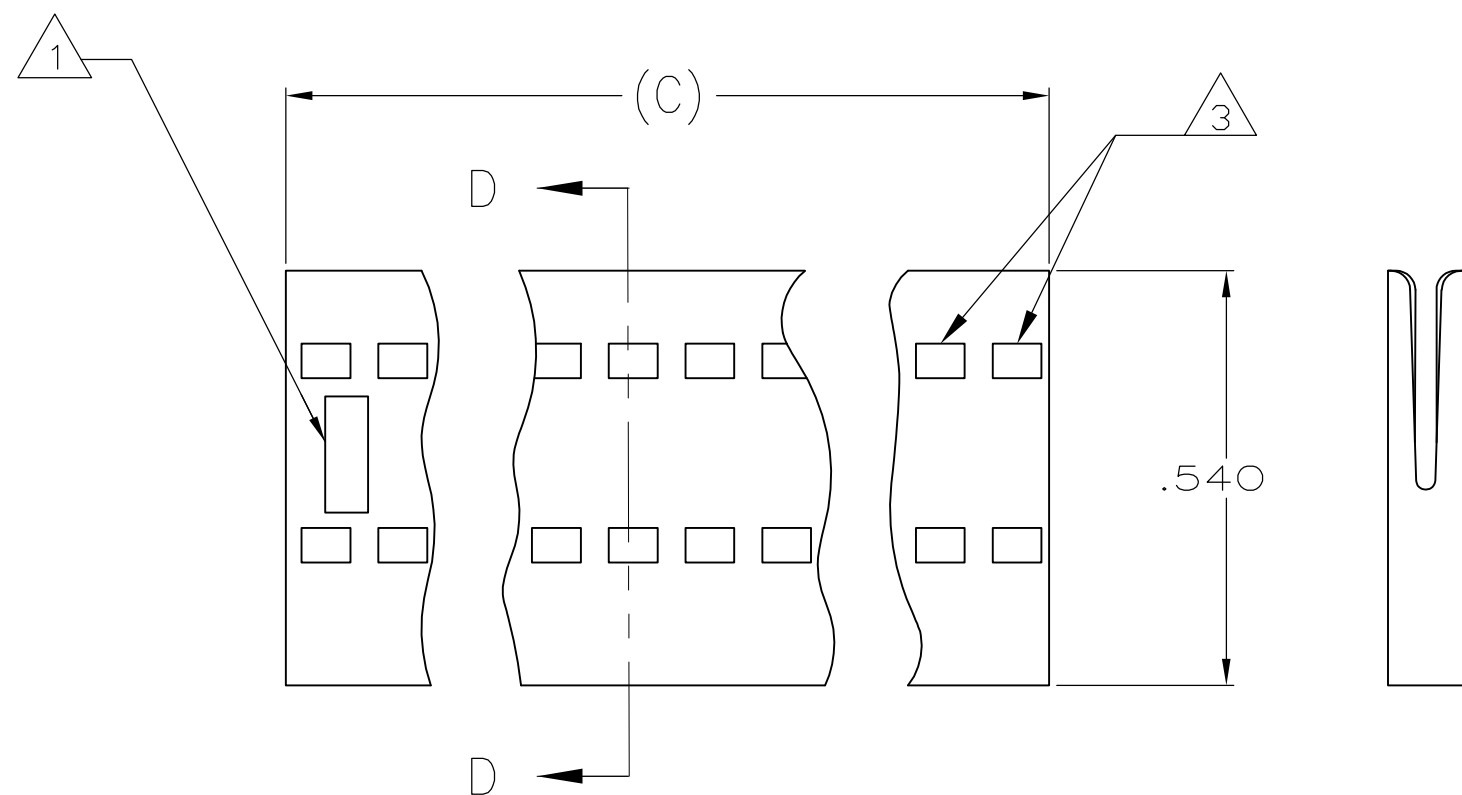
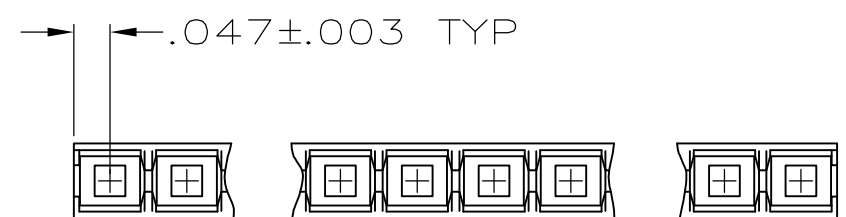
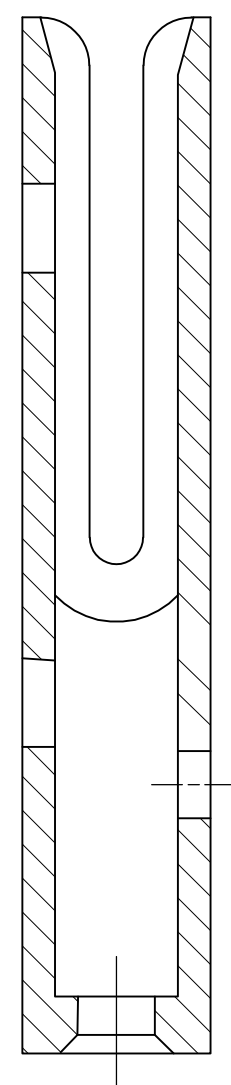


THIS DRAWING IS UNPUBLISHED. RELEASED FOR PUBLICATION  
 © COPYRIGHT - By - ALL RIGHTS RESERVED.

| LOC | DIST | REVISIONS   |                           |           |         |
|-----|------|-------------|---------------------------|-----------|---------|
| P   | LTR  | DESCRIPTION | DATE                      | DWN       | APVD    |
| GP  | 00   | C           | REVISED PER ECO-11-017188 | 06DEC2011 | CJV/CWR |



- 1 TYCO TRADEMARK AND MOLD CAVITY IDENTIFICATION LOCATED AT EITHER END OF THE HOUSING IN APPROXIMATE LOCATION SHOWN.
- 2 THIS HOLE IS FOR MOLDING PURPOSES ONLY AND MAY BE FLASHED OVER.
- 3 WINDOWS MAY OR MAY NOT BE PRESENT ON THIS END OF HOUSING.



SECTION D-D

|       |      |   |           |           |
|-------|------|---|-----------|-----------|
| .894  | .800 | 8 | 9         | 1761789-8 |
| C REF | B    | A | NO OF POS | PART NO   |

|  |  |                                |                                  |                    |
|--|--|--------------------------------|----------------------------------|--------------------|
| THIS DRAWING IS A CONTROLLED DOCUMENT. |  | DWN<br>S. WAITMAN<br>18APR05   | TE Connectivity                  |                    |
| DIMENSIONS:<br>INCHES                  |  | CHK<br>J. GERACE<br>18APR05    | NAME<br>HOUSING, RECEPTACLE, FFC |                    |
| TOLERANCES UNLESS OTHERWISE SPECIFIED: |  | APVD<br>M. WALMSLEY<br>18APR05 | PRODUCT SPEC<br>108-9024         |                    |
| 0 PLC ± -                              |  | APPLICATION SPEC<br>114-16015  |                                  | SIZE<br>A2         |
| 1 PLC ± -                              |  | WEIGHT<br>-                    |                                  | CAGE CODE<br>00779 |
| 2 PLC ± -                              |  | DRAWING NO<br>C=1761789        |                                  | RESTRICTED TO<br>- |
| 3 PLC ± .005                           |  | SCALE<br>4:1                   |                                  | SHEET<br>1 of 1    |
| 4 PLC ± -                              |  | REV<br>C                       |                                  |                    |
| ANGLES ± -                             |  |                                |                                  |                    |
| FINISH<br>-                            |  |                                |                                  |                    |
| MATERIAL<br>THERMOPLASTIC,             |  | CUSTOMER DRAWING               |                                  |                    |