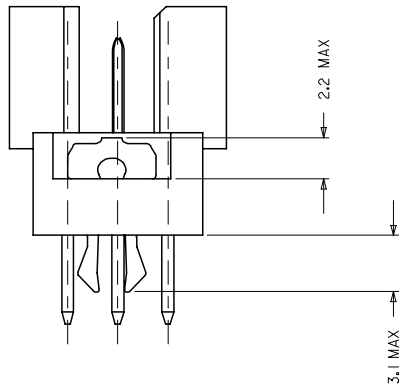
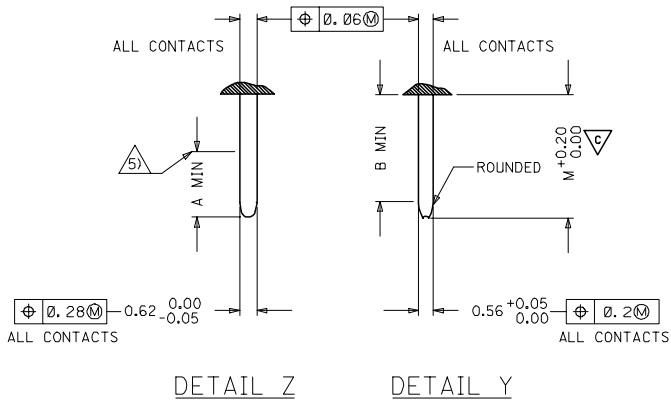




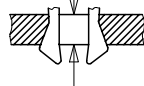
PRE MATING CONTACTS	5.4	4.1	4.8
NORMAL CONTACTS	4.8	3.5	4.2
	M	A	B

### MALE CONNECTOR WITH MOUNTING CLIPS



CLIPS SNAP UNDER  
PC - BOARD OF  
1.5 to 1.8 mm  
Fm < 60N  
Fr >= 20N  
Fr >= 200N, WHEN  
SOLDERED IN  
PLATED - THROUGH  
FIXING HOLES

Fm = MOUNTING FORCE  
(FOR ONE CONNECTOR = 2 CLIPS)



FR = RETENTION FORCE  
(FOR ONE CONNECTOR = 2 CLIPS)

CLIPS STICK IN  
FIXING HOLE OF  
PC - BOARDS  
OVER 1.8 mm  
Fm < 60N  
FR >= 16N



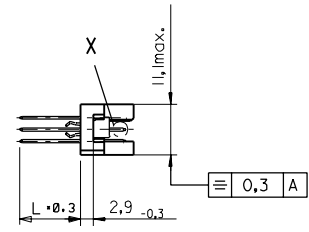
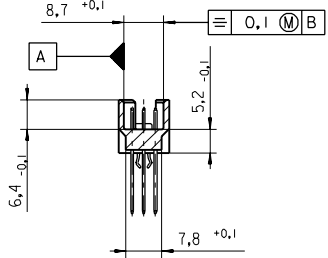
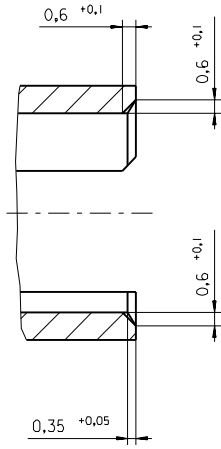
IEC NO. 12005-0092 2004/11/23 DRW:SHYASHA CHK:KPRASAD APPR:SSUDHIR 2004/11/23	QUALITY SYMBOLS ▽=0 ▽=1	GENERAL TOLERANCES (UNLESS SPECIFIED)		DIMENSION STYLE MM ONLY	SCALE 2:1	DESIGN UNITS METRIC	THIRD ANGLE PROJECTION		
		4 PLACES ± --- ± ---	3 PLACES ± 0.005 ± ---	2 PLACES ± 0.05 ± ---	1 PLACE ± 0.1 ± ---	ANGULAR ± 2 °	DRAWN BY NS	DATE 2004/03/31	TITLE 48 POS. MALE CONNECTOR ACC. DIN 41612 STYLE R/2 CONTACTS
		CHECKED BY GJLOWE	DATE 2004/03/31	APPROVED BY GJLOWE	DATE 2004/03/31	MATERIAL NO. SEE CHART	DOCUMENT NO. E-85013-0002	SHEET NO. 2 OF 2	
		DRAFT WHERE APPLICABLE MUST REMAIN WITHIN DIMENSIONS							THIS DRAWING CONTAINS INFORMATION THAT IS PROPRIETARY TO MOLEX INCORPORATED AND SHOULD NOT BE USED WITHOUT WRITTEN PERMISSION



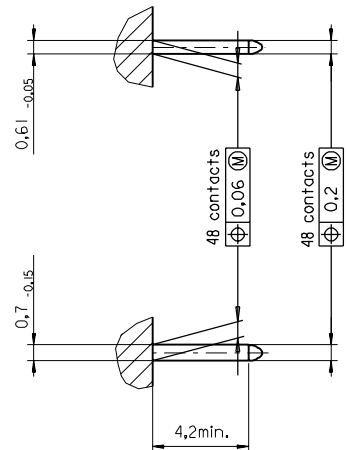


PART NO.  
DWG. NO.

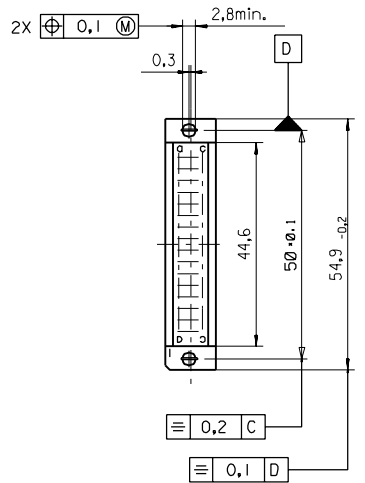
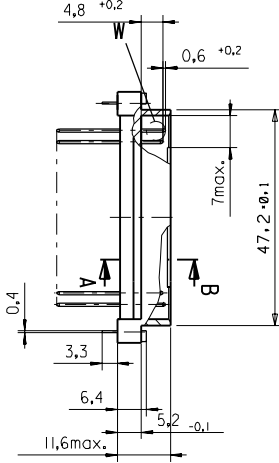
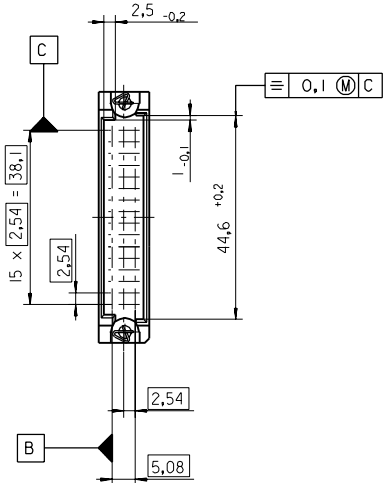
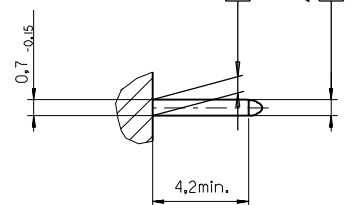
Section A - B  
5:1



View X  
5:1



View W  
5:1



FIRST ANGLE PROJECTION		REVISE ONLY ON CAD SYSTEM		SH.	REV.
first release see ECN No. 1887	LTR	UNLESS OTHERWISE SPECIFIED TOLERANCES: ANGULAR ±2°	DRWG BY	CAD/CAM PROJECT NAME	
		INCH METRIC	Ca	85013000 821	THIS DRAWING CONTAINS INFORMATION THAT IS PROPRIETARY TO MOLEX INC. & SHOULD NOT BE USED WITHOUT WRITTEN PERMISSION
3 PLACE ± . ±	FOR PREVIOUS REVISIONS SEE MRI LIST	2 PLACE ± . ±	CHK'D BY	TITLE	
1 PLACE ± . ±			KN	48 pos. Male connector acc. DIN 41612 style R/2 Dimensions	
	DRAFT WHERE APPLICABLE MUST REMAIN WITHIN DIMENSIONS		APP'D BY	SHEET NO. DATE	
DESIGN DIMENSION	<input checked="" type="checkbox"/> MM			1 OF 95/06/08	
EQUIVALENT DIMENSION	<input type="checkbox"/> IN.		SCALE	PART NO. DWG NO. SIZE	
	<input type="checkbox"/> MM			SDA-85013-0002 B	
	<input type="checkbox"/> IN.				
IF TWO DIMENSIONS ARE SHOWN THE UPPER IS THE DESIGN DIMENSION, LOWER IS SECONDARY					

VIEW ON MATING SIDE

⊂	A	A	A	A	A	A	A	A	A	A	A	A	A	A	A	A	A	A	A
⊃	A	A	A	A	A	A	A	A	A	A	A	A	A	A	A	A	A	A	A
⊂	A	A	A	A	A	A	A	A	A	A	A	A	A	A	A	A	A	A	A

1 2 3 4 5 6 7 8 9 10 11 12 13 14 15 16 17 18 19 20

A = 48 STANDARD CONTACTS L=4,5

Marking	Standard
Performance level	G2/0 = Contact area perform. level2 / Termination tin
Flux proof	no
Fixing clip	no
Dimensions	SDA-85013-0002 sht.1
Technical Data	PS-85013-0001

A	G2/0	a1-l6	b1-l6	c1-l6
Contact symbol	Perform. level	Contact position number		

first release see ECN No. 1868	REVISIONS		FOR PREVIOUS REVISIONS SEE MRI LIST	
	LTR	DESCRIPTION	DATE	BY

UNLESS OTHERWISE SPECIFIED TOLERANCES: ANGULAR ± 2°	DRWG BY	SIGN	CAD/CAM PROJECT NAME	SH. REV.
INCH	Ca		S8501300	THIS DRAWING CONTAINS INFORMATION THAT IS PROPRIETARY TO MOLEX INC. & SHOULD NOT BE USED WITHOUT WRITTEN PERMISSION
METRIC	CHK'D BY	SIGN	s71	
3 PLACE ± .	KN			
2 PLACE ± .	APP'D BY	SIGN		
1 PLACE ± .	SCALE			
DRAFT WHERE APPLICABLE MUST REMAIN WITHIN DIMENSIONS	DESIGN DIMENSION	<input type="checkbox"/> MM <input type="checkbox"/> IN.	TITLE	
EQUIVALENT DIMENSION	<input type="checkbox"/> MM <input type="checkbox"/> IN.	48 pos. Male connector acc. DIN 41612 style R/2 contacts arrangement		
IF TWO DIMENSIONS ARE SHOWN, THE UPPER IS THE DESIGN DIMENSION, LOWER IS SECONDARY	SHEET NO. DATE			
	MOLEX EUROPE			1 OF 1 95/06/07
	PART NO.			SIZE
	85013-0074			SDA-85013-0074 A