



PRODUCT DATASHEET

Lenina series

last update 31/10/2016

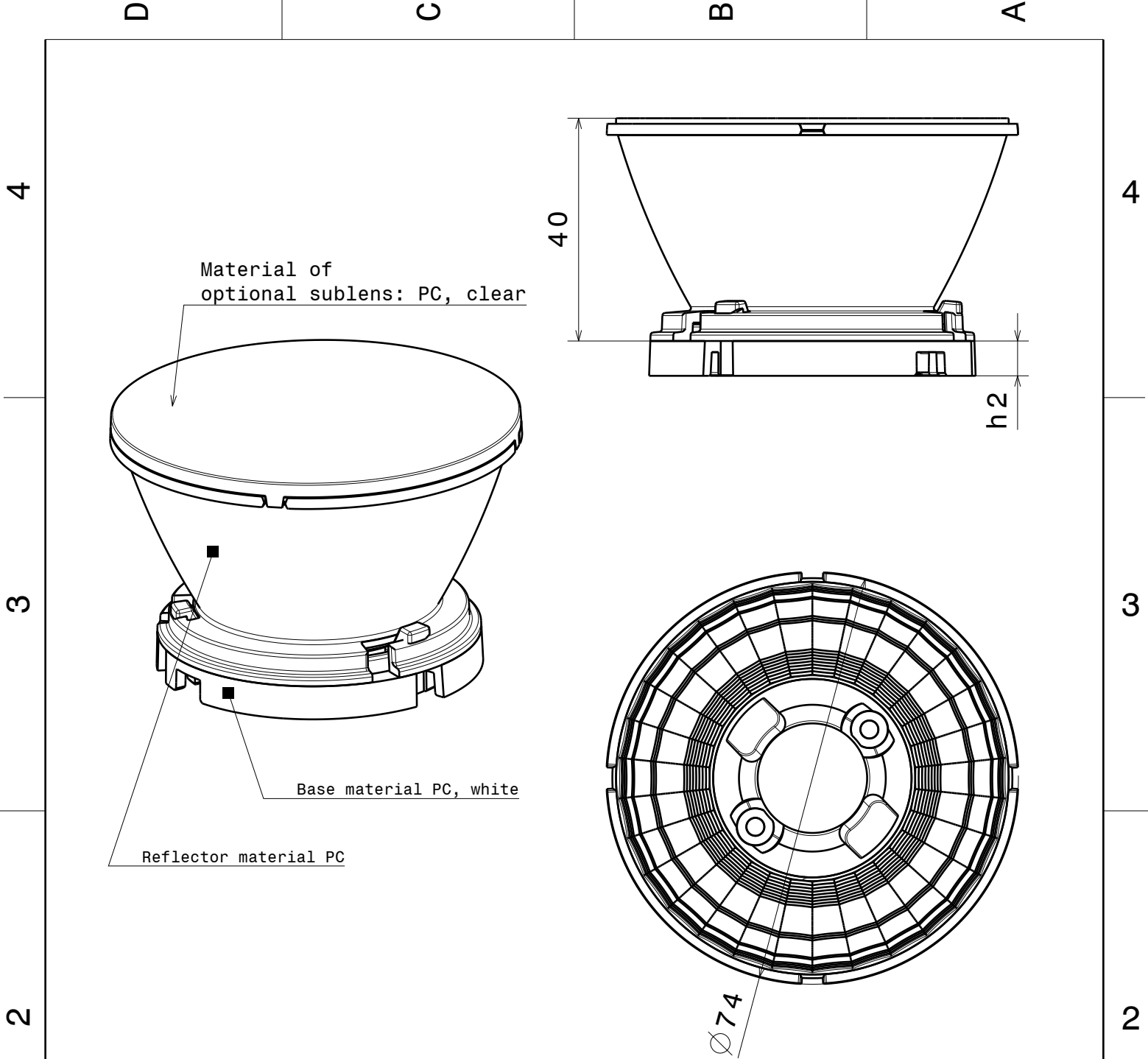
DETAILS

Product Number	CN12933_LENINA-M
Family	Lenina
Type	RefPack
Color	metal
Diameter	74 mm
Height	46,5 mm
Style	round
Optic Material	
Holder Material	
Fastening	screw, socket
Status	production ready
ROHS Compliant	Yes
Date Updated	31/10/2016



OPTICAL PROPERTIES


LED	Viewing Angle	Light Beam	Efficiency	cd/lm	Connector
LUXEON K16	30 deg	Medium	85 %	2.000	-
LUXEON K12	28 deg	Medium	89 %	2.300	-



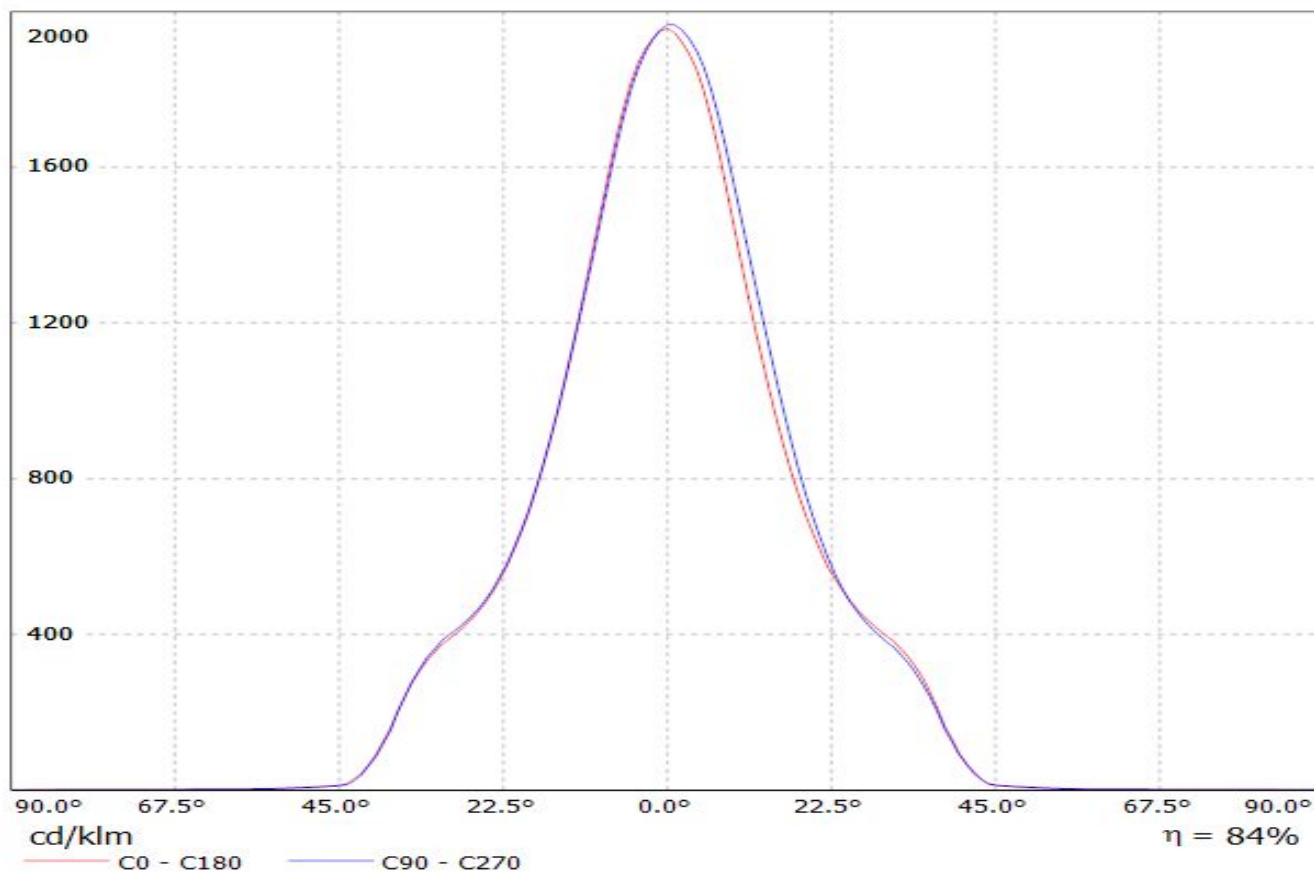
NOTE:

Using optional sublens, add 2.1mm to the system height

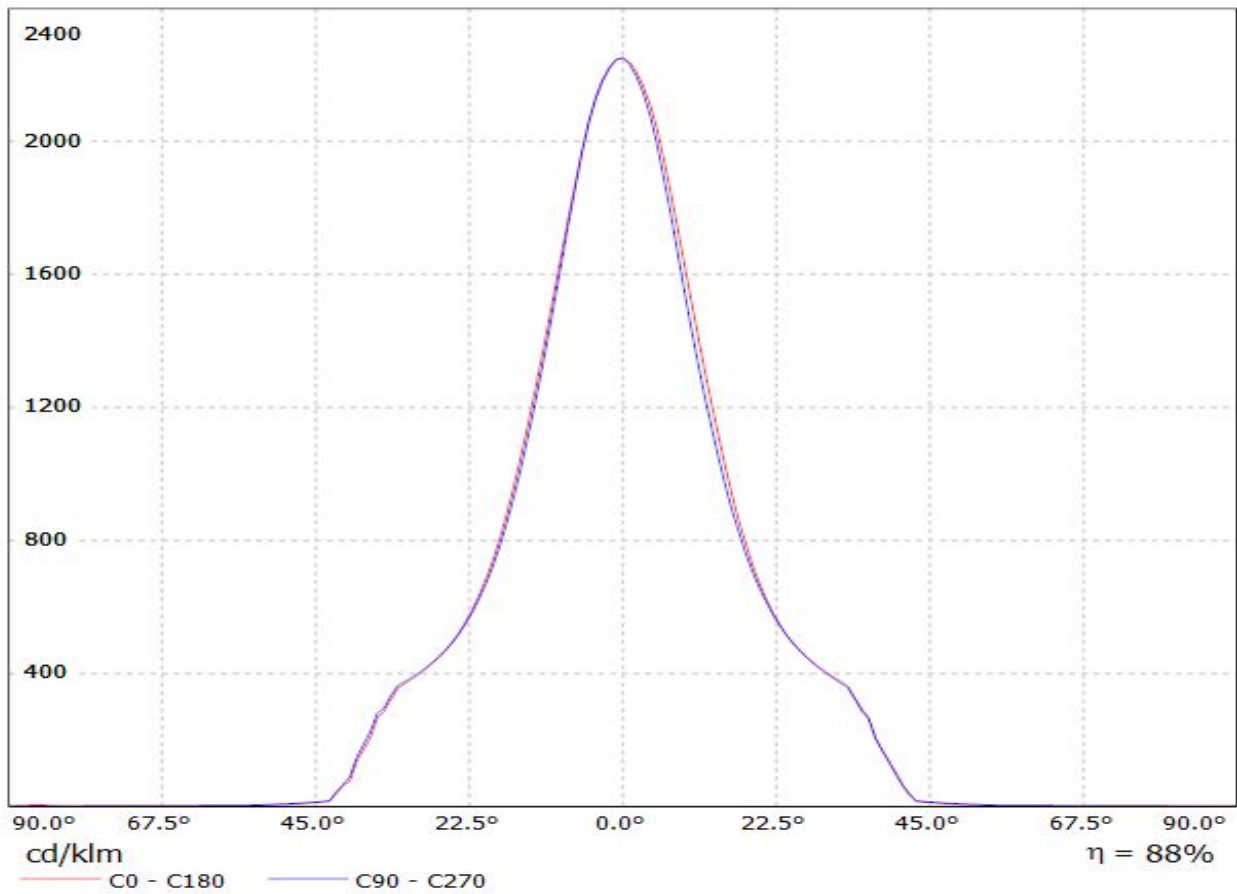
Dimension 'h2' varies from 4.5mm to 7mm depending on the LED specific base part

This drawing is our property. It can't be reproduced or communicated without our written agreement.				Ledil Oy Salorankatu 10 FIN-24240 SALO Finland		
DRAWN BY ks		DATE 23.04.2014		DRAWING TITLE Datasheet Lenina series		
CHECKED BY		DATE				SIZE A4
DESIGNED BY pl		DATE 08.03.2012		SCALE 1:1	WEIGHT (g)	SHEET 1/1

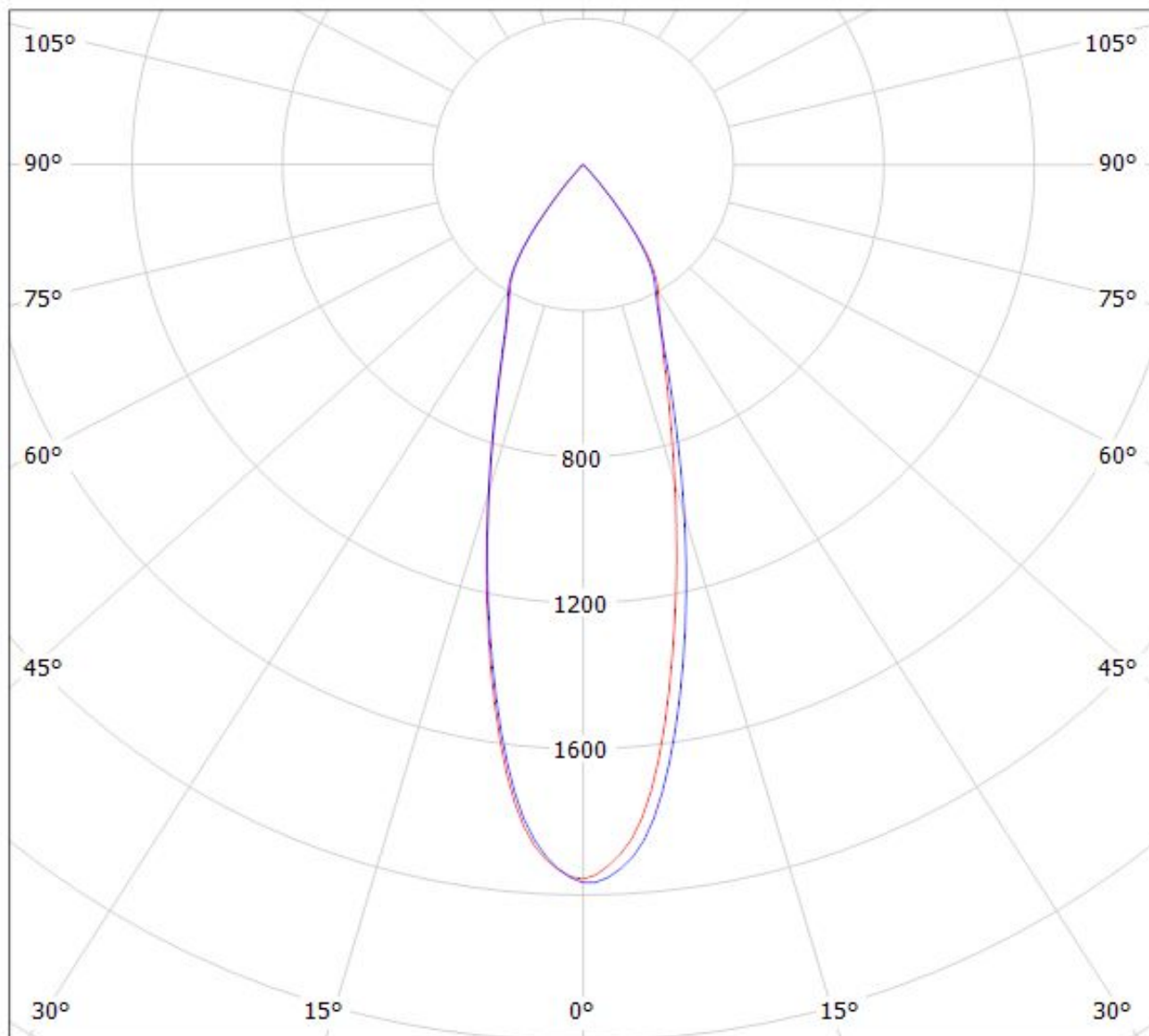
Luminaire: LEDiL Oy CN12933_LENINA-M_(Luxeon_K16) Eff.84.5%
Lamps: 1 x Luxeon_K16 (1208.05lm@250mA)



Luminaire: LEDiL Oy CN12933_LENINA-M_(Luxeon-K12) Eff.88.5%
Lamps: 1 x Luxeon-K12 (834.916lm@250mA)



Luminaire: LEDiL Oy CN12933_LENINA-M_(Luxeon_K16) Eff.84.5%
Lamps: 1 x Luxeon_K16 (1208.05lm@250mA)



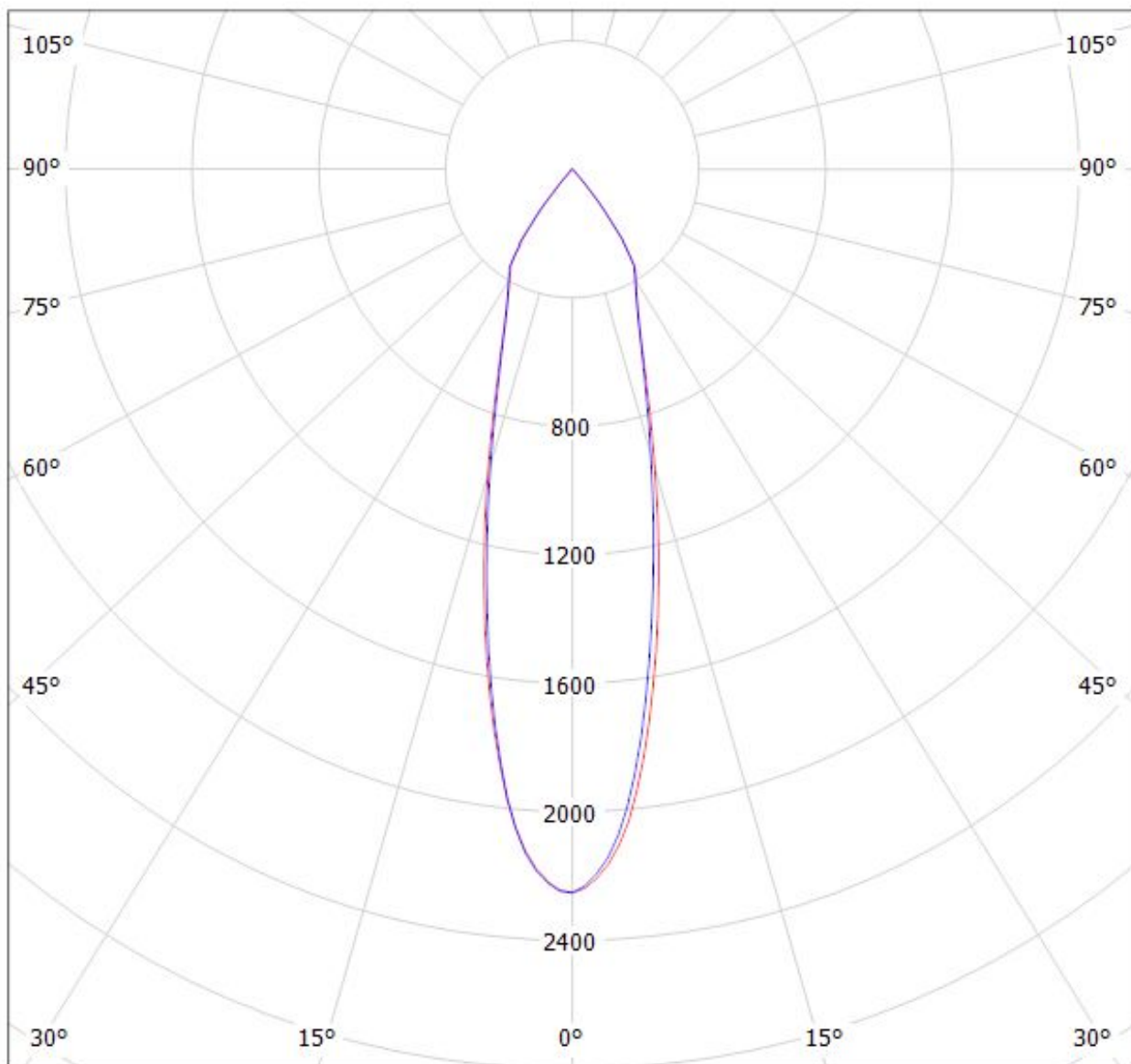
cd/klm

$\eta = 84\%$

— C0 - C180

— C90 - C270

Luminaire: LEDiL Oy CN12933_LENINA-M_(Luxeon-K12) Eff.88.5%
Lamps: 1 x Luxeon-K12 (834.916lm@250mA)



cd/klm

— C0 - C180

— C90 - C270

$\eta = 88\%$

NOTE: The typical divergence will be changed by different color, chip size and chip position tolerance. The typical total divergence is the full angle measured where the luminous intensity is half of the peak value.