

THIS DRAWING IS UNPUBLISHED. RELEASED FOR PUBLICATION 20  
 © COPYRIGHT 20 BY TYCO ELECTRONICS CORPORATION. ALL RIGHTS RESERVED.

LOC	DIST	REVISIONS			
P	LTR	DESCRIPTION	DATE	DWN	APVD
FT	0	B	RELEASED EC 063B-0884-03	21JAN2004	SW HW

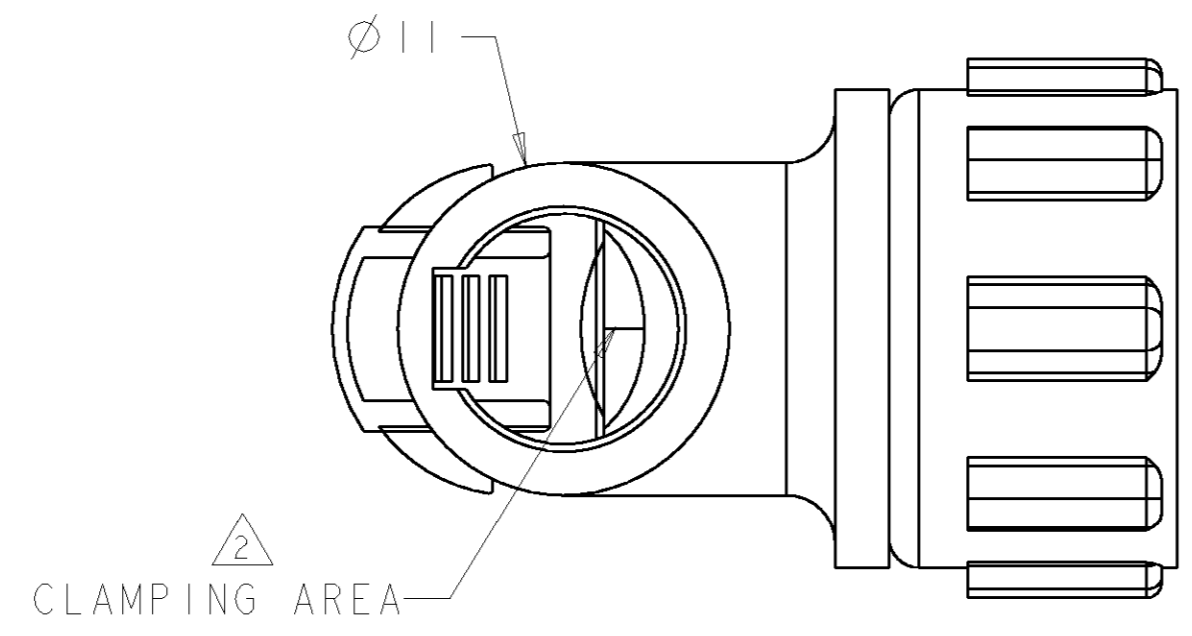
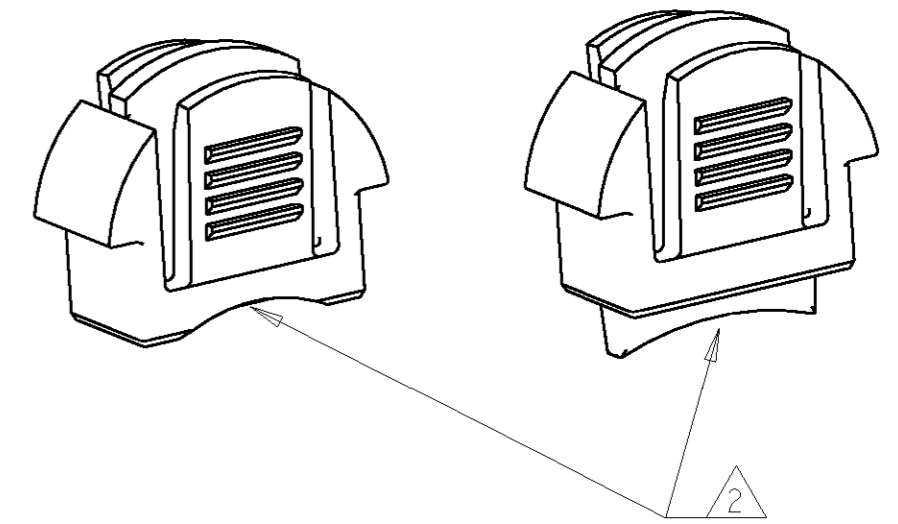
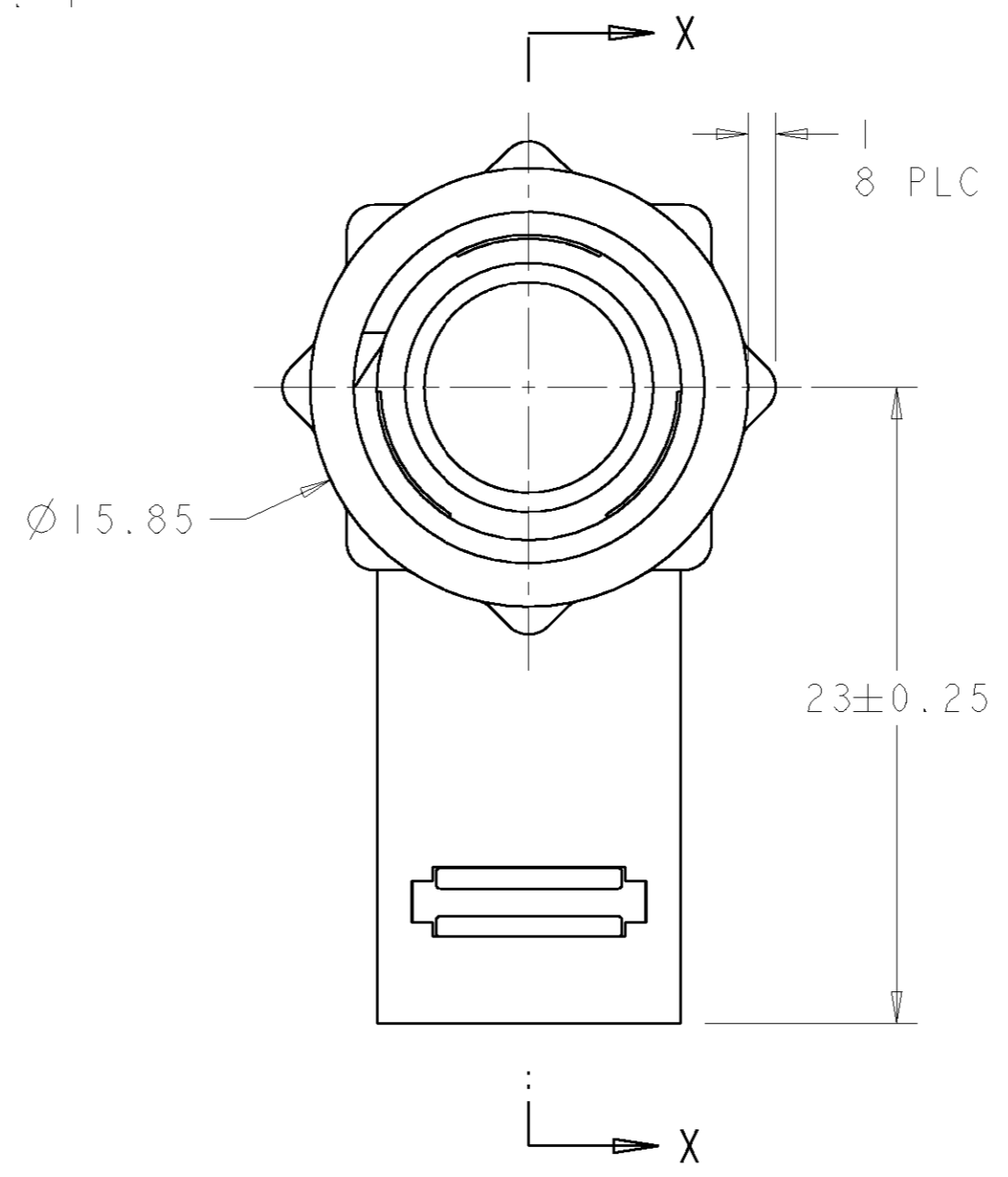
STRAIN RELIEF, RIGHT ANGLE  
 THERMOPLASTIC, COLOR: BLACK  
 QTY: 1

JAM NUT  
 POLYESTER, COLOR: BLACK  
 QTY: 1

THERMOPLASTIC, COLOR: BLACK  
 CLAMP  
 QTY: 2

25.8±0.6

SECTION X-X



- △ PARTS PACKAGED UNASSEMBLED.
- △ CABLE CLAMPING AREA ADJUSTABLE FROM 0.76mm<sup>2</sup> TO 15.8mm<sup>2</sup>.
- 3. OUTSIDE CABLE DIAMETER: 4.4 MAXIMUM.

BULK	1445771-2
INDIVIDUAL	1445771-1
PACKAGING	PART NUMBER

THIS DRAWING IS A CONTROLLED DOCUMENT FOR TYCO ELECTRONICS CORPORATION. IT IS SUBJECT TO CHANGE AND THE CONTROLLING ENGINEERING ORGANIZATION SHOULD BE CONTACTED FOR THE LATEST REVISION.		DWN SHANE WIESE 21AUG2001	Tyco Electronics Harrisburg, PA 17105-3608	
DIMENSIONS: mm		CHK G. DOUITY 21AUG2001	NAME ASSEMBLY, STRAIN RELIEF, RIGHT ANGLE, MINI CPC	
TOLERANCES UNLESS OTHERWISE SPECIFIED:		APVD H. WAKEEM 21JAN2004	SIZE A2	
0 PLC ±		PRODUCT SPEC	CAGE CODE 00779	DRAWING NO 1445771
1 PLC ±		APPLICATION SPEC	RESTRICTED TO	
2 PLC ±0.13		WEIGHT	SCALE 4:1	SHEET 1
3 PLC ±		CUSTOMER DRAWING	OF 1	REV B
4 PLC ±				
ANGLES ±				
FINISH -				