

# P25 Rotary Code Switch

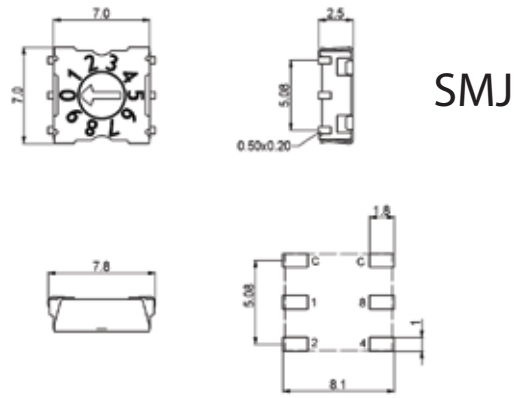
- ▷ 2.5mm height
- ▷ 7.0mm length
- ▷ Lateral C-contact
- ▷ SMJ, SMT-Pins
- ▷ Contacts with hard gold plating
- ▷ Solid, tinned PCB pins



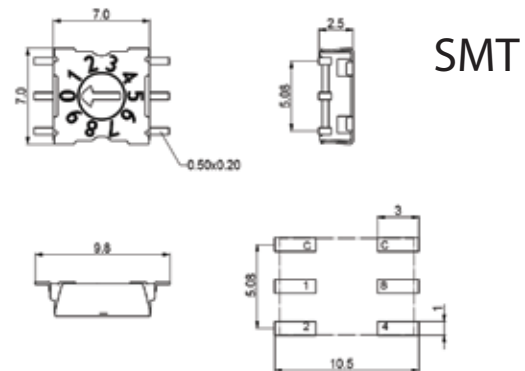
## Technical Data

## Dimensions

Height	2.5mm
Length	7.0mm
Width	7.0mm
Pin connection	3+3, lateral C-contact
Perm. ambient temperature	-50...+125°C
Perm. storage temperature	-55...+135°C
Torque	min. 0.7Ncm
Positions per rotation	10, 16
Operating voltage	42V
Contact load, static	0.4A
Contact load, dynamic	0.1A
Minimum load	1µA 20mV DC
Test voltage	250V 50Hz/1min
Contact resistance	<80m
Insulation resistance	100M
Vibration, Shock	DIN EN 60068-2-6 DIN EN 60068-2-27
Humidity	21days at 40°C 93% RH
Reflow soldering max.	10s/260°C



SMJ



SMT



Life size

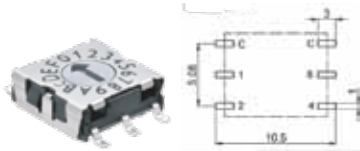
# P25 Rotary Code Switch

## Features and Order Code

**1**

### CONTACT PINS

#### SMT

 Code: P25 **SMT**   


#### J-Hook

 Code: P25 **SMJ**   

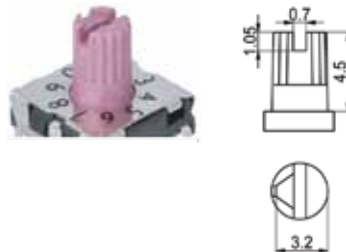
**2**

### ACTUATORS

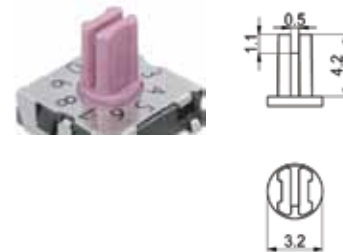
#### Arrow shaped slot

 Code: P25    


#### Spindle

 Code: P25    


#### Slotted spindle

 Code: P25    

**3**

### CODES

Positions      Rotor

BCD	10	red	Code: P25 <input type="text" value="1"/> <input type="text" value="2"/> <input type="text" value="01"/> <input type="text" value="4"/>
BCD Complement	10	orange	Code: P25 <input type="text" value="1"/> <input type="text" value="2"/> <input type="text" value="02"/> <input type="text" value="4"/>
Hexadecimal	16	gray	Code: P25 <input type="text" value="1"/> <input type="text" value="2"/> <input type="text" value="03"/> <input type="text" value="4"/>
Hexadecimal Complement	16	white	Code: P25 <input type="text" value="1"/> <input type="text" value="2"/> <input type="text" value="06"/> <input type="text" value="4"/>

**4**

### Packing

 Tape & Reel Packing      Code: P25    **TR**