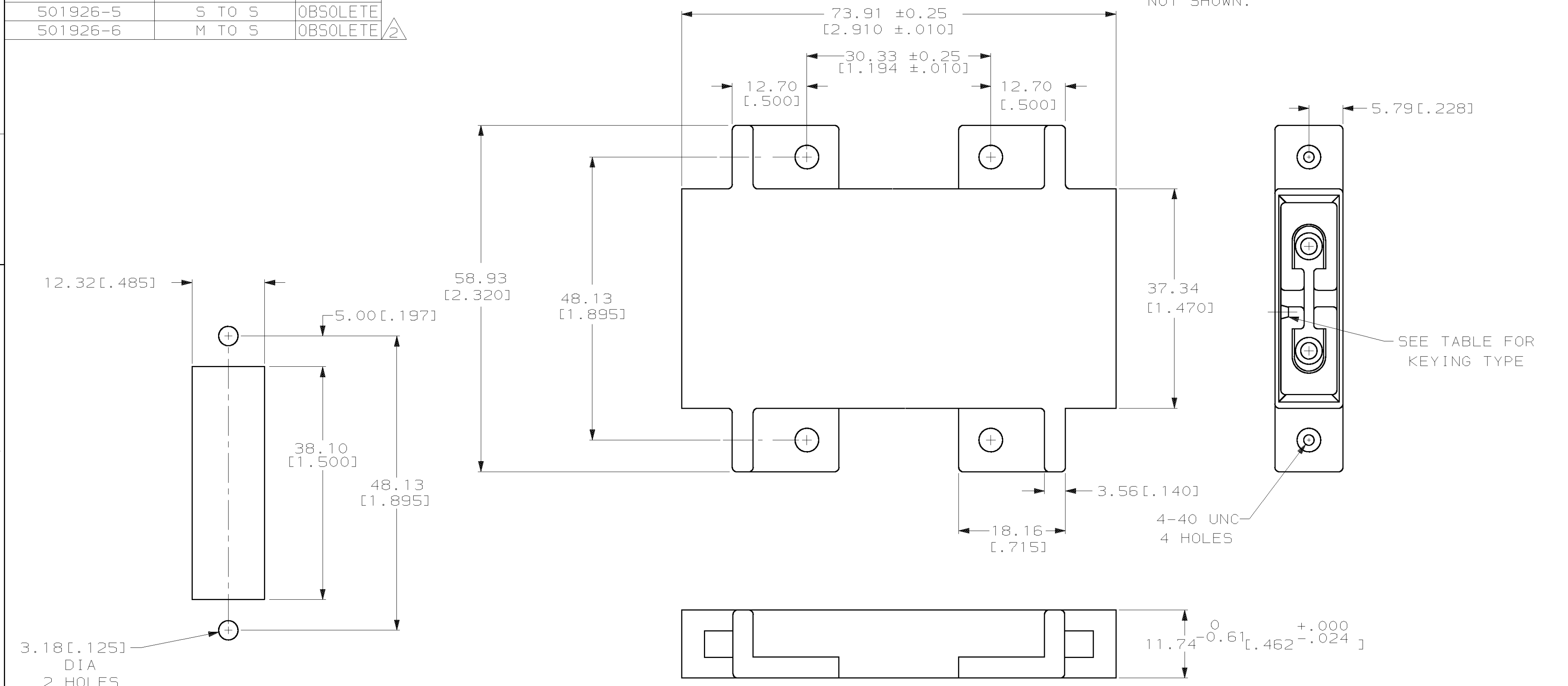


THIS DRAWING IS UNPUBLISHED. RELEASED FOR PUBLICATION, 19 .  
 © COPYRIGHT 19 BY AMP INCORPORATED. ALL INTERNATIONAL RIGHTS RESERVED.

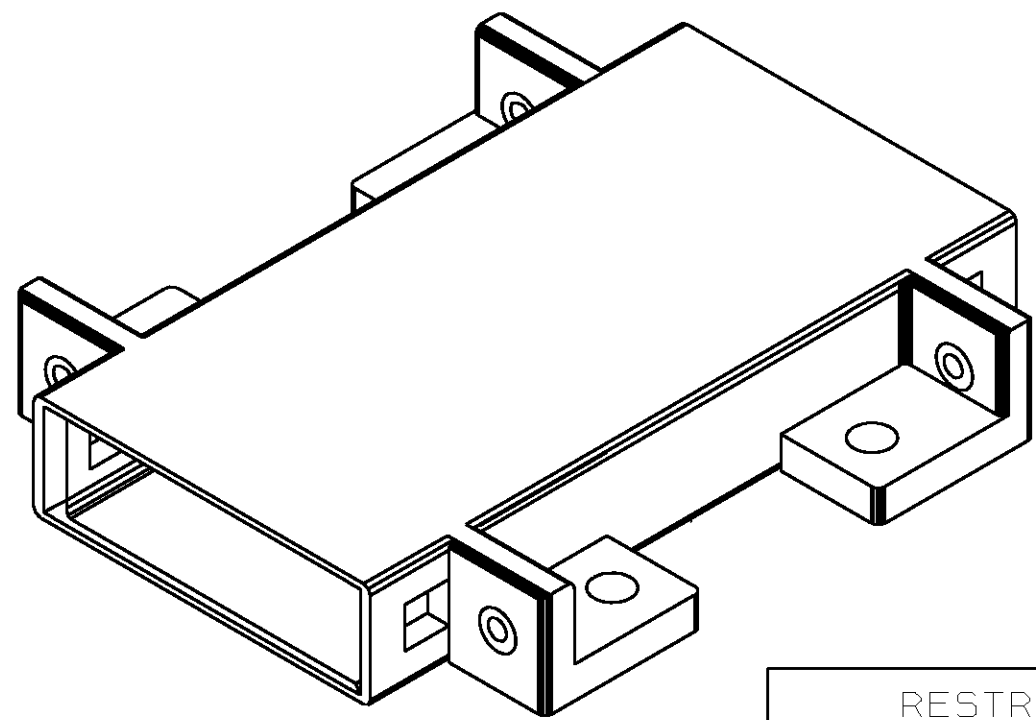
LOC	DIST	P	F	ZONE	LTR	DESCRIPTION	DATE	APPD
CE	16				F	REVISED PER 0A00-0588-03	26MAR04	KG/SB

PART NUMBER	KEYING TYPE	
501926-1	A TO B	
501926-2	M TO S	
501926-3	A TO A	OBSOLETE
501926-4	B TO B	OBSOLETE
501926-5	S TO S	OBSOLETE
501926-6	M TO S	OBSOLETE

1. DIMENSIONS IN [ ] ARE IN INCHES.  
 2. DUST COVER W/O MOUNTING STRAP INCLUDED, NOT SHOWN.



SUGGESTED MOUNTING PATTERN



METRIC

RESTRICTED RELEASE  
 DRAWING MAY CHANGE WITHOUT  
 CUSTOMER NOTIFICATION

DO NOT SCALE PRINT. UNLESS SPECIFIED DIMENSIONS IN mm TOLERANCES ON:		PART NO	
2 PLC DEC ± 0.13 [.005]	3 PLC DEC ± -	AMP INCORPORATED Harrisburg, Pa. 17105	
ANGLES ± -	MATERIAL	NAME	
PBT MOLDING COMPOUND	FINISH	DUPLX TO DUPLX COUPLING ASSEMBLY, WITH MOUNTING EARS, WITH #4-40 THD INSERTS, AMP FSD	
-	DR 5-19-88 B. BRIGGS	SIZE	FSCM NO
-	CHK 5-19-88 J. ZEIDERS	C	00779
-	APPD 5-20-88 L. BUDD	SCALE	2:1
-	APPD 5-20-88 D. THOMPSON	DRAWING NO	501926
-	PRODUCT SPEC	SHEET	1 OF 1
-	APPLICATION SPEC		
-	WEIGHT		