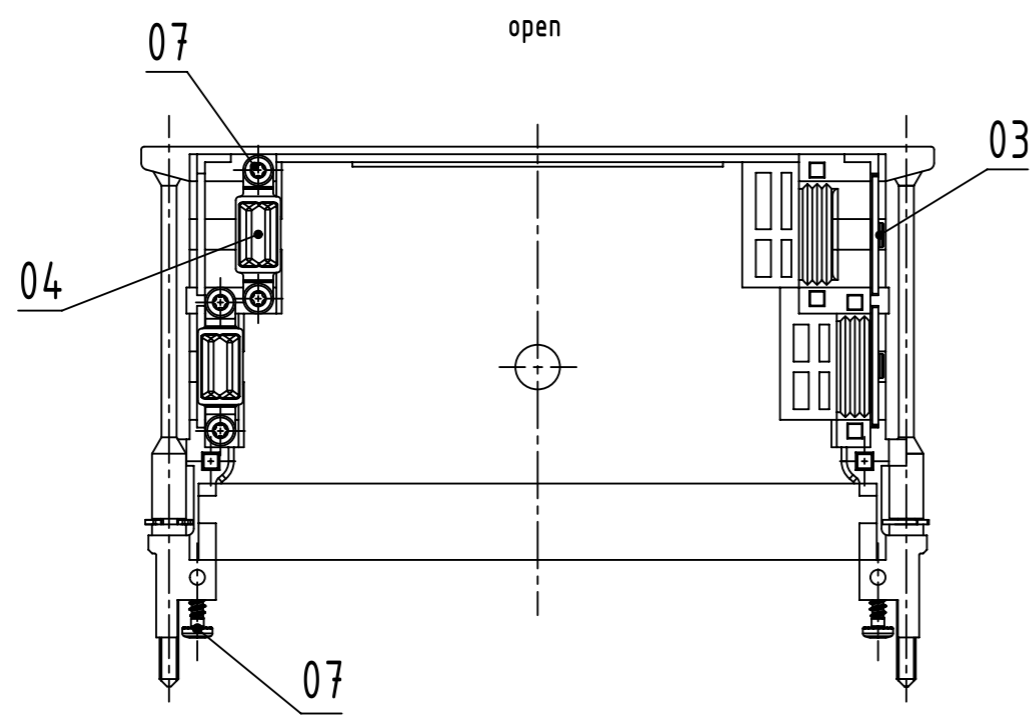


A

A
open



content shell housing			spare parts	
pos.	number	description	part no.	number
01	1	shell D20/4 metallised		
02	1	cover D20/4 metallised		
03	3	blinding piece D20 metallised		
04	2	cabel clamp D20	09060489993	1
05	2	locking screw M2.5	09060009920 / set	1
06	2	locking washer		1
07	12	PT-screw 2.2x7 - 6IP (Torx-Plus)		

parts not assembled

	All Dimensions in mm Original Size DIN A3		Scale 1:1	Free size tol.	Ref. Sub. TB 09069480522 Mod. 36492 v. 22.02.12	
	All rights reserved Department EC PD - DE		Created by HAGEMEYERE	Inspected by TADJE	Standardisation HOFFMANN	Date 2013-08-20
HARTING Electronics GmbH D-32339 Espelkamp			Title DIN Power shell housing D20/4 metallised			Doc-Key / ECM-Nr. 100188660/UGD/005/B 50000065477
			Type TB	Number 09069480522	Rev. B	Page 1/1