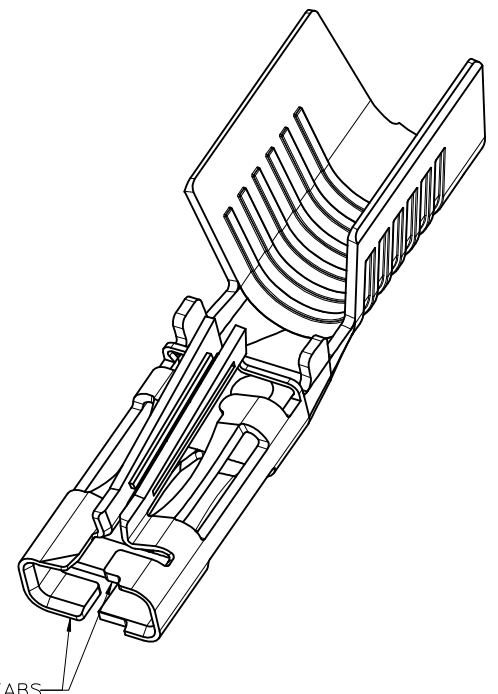
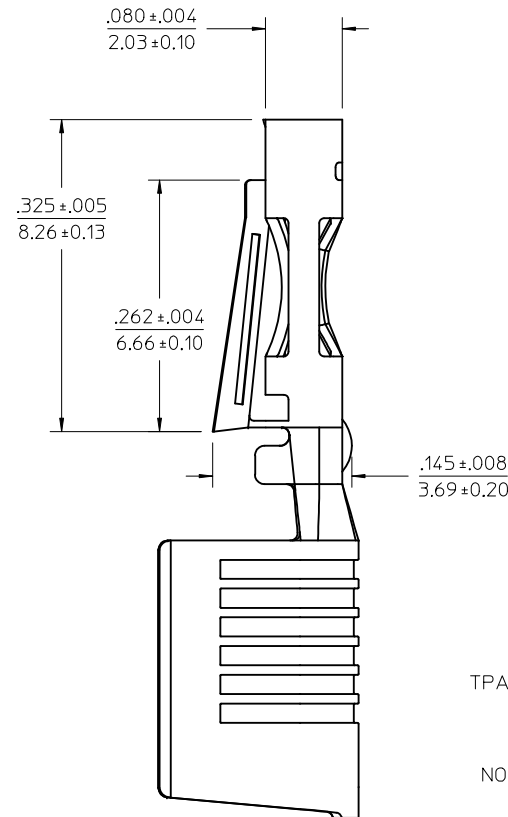
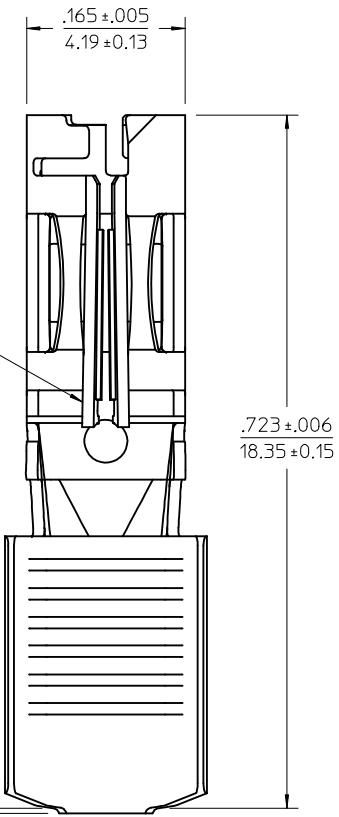


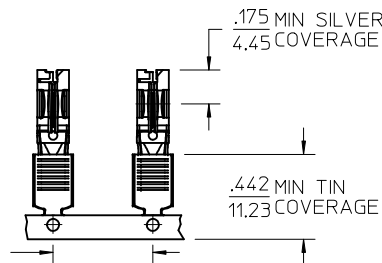
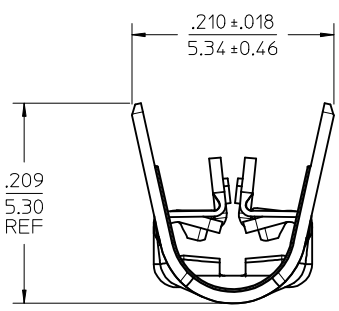
LOCK TANG BEAM
(2-PL)
(SEE NOTE 7)



TPA LOCK TABS

NOTES:

1. MATERIAL: .012/(0.30) THICK HSM COPPER.
2. FINISH: SELECT SILVER (.000100/0.00254 MIN) & SELECT MATTE TIN (.000100/0.00254 MIN) OVER NICKEL OVERALL.
3. PRODUCT SPECIFICATION: PS-171825-001.
4. PACKAGING: PK-171825-001 (PENDING).
5. MATES WITH: 171826 MALE CRIMP TMLS, 172042 AND 172043 HDRS. FOR USE IN 172672/44441 RCPT HSGS.
6. SINGLE CRIMP TO 10 OR 12AWG STRANDED COPPER WIRE. TINNED WIRE RECOMMENDED.
7. NO PORTION OF ONE LOCK TANG BEAM SHALL TOUCH ANY PORTION OF THE OTHER LOCK TANG BEAM.



REF.
.520
13.21
PROGRESSION

SCALE 2:1

LOCK-TANG HEIGHT EC NO: UCP2015-1220 DRWN: BANDERSON 2015/02/19 CHKD: APPR: FSMITH 2015/03/05	QUALITY SYMBOLS	GENERAL TOLERANCES (UNLESS SPECIFIED)	DIMENSION STYLE	SCALE	DESIGN UNITS	THIRD ANGLE PROJECTION
	▽=0	mm INCH	IN/MM	10:1	INCH	
	▽=0	4 PLACES ± --- ± ---	DRAWN BY DATE	TITLE		
	▽=0	3 PLACES ± --- ± .010	GES 2013/04/02	SUPER-SABRE FEMALE CRIMP TERMINAL		
		2 PLACES ± 0.25 ± .014	CHECKED BY DATE	molex		
		1 PLACE ± 0.35 ± ---	BANDERSON 2013/04/02	DOCUMENT NO. SD-171825-001		
		0 PLACE ± --- ± ---	APPROVED BY DATE	SHEET NO. 1 OF 1		
			FSMITH 2013/10/09	THIS DRAWING CONTAINS INFORMATION THAT IS PROPRIETARY TO MOLEX INCORPORATED AND SHOULD NOT BE USED WITHOUT WRITTEN PERMISSION		
		ANGULAR ±1/2°	MATERIAL NO.			
		DRAFT WHERE APPLICABLE MUST REMAIN WITHIN DIMENSIONS	1718250100			