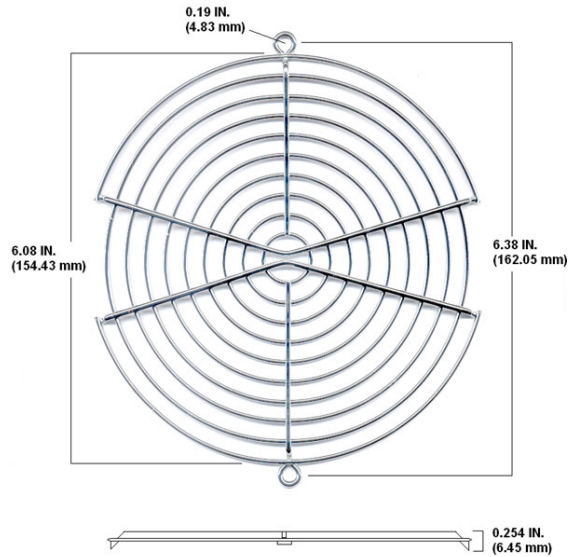


# G172 Series



## Fan Guards for 172mm Fan



### PART NO. G172-10H

WIRE DIAMETER  
RING DIA: 1.8mm  
RIB DIA: 2.3mm  
FINISH: BRIGHT NICKEL CHROME

### PART NO. G172-10H/PK

10-PACK G172-10H GUARDS, BOXED

### PART NO. G172-10HB

WIRE DIAMETER  
RING DIA: 1.8mm  
RIB DIA: 2.3mm  
FINISH: BLACK

### PART NO. G172-10HB/PK

10-PACK G172-10HB GUARDS, BOXED

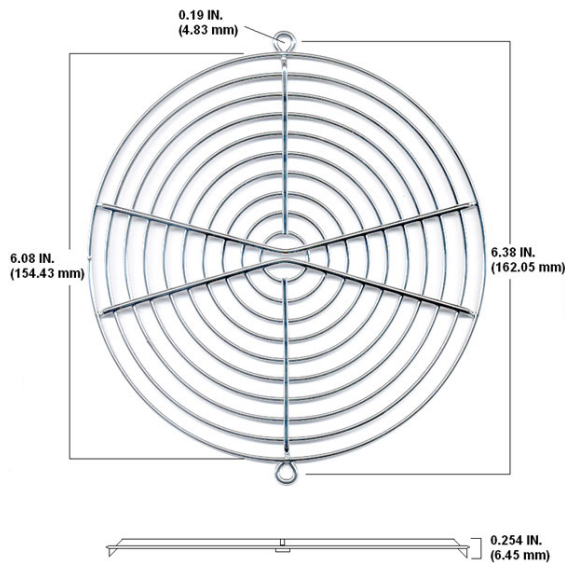
#### NOTES:

1. MATERIAL: C1008 BRIGHT BASIC WIRE

2. WELD JOINTS TO WITHSTAND 88LBS PULL FORCE

3. GENERAL TOLERANCE UNLESS NOTED +/- 0.5mm

4. PART MEETS 6.35mm PLUG GAUGE TEST



### PART NO. G172-10HA

WIRE DIAMETER  
RING DIA: 1.8mm  
RIB DIA: 2.3mm  
FINISH: BRIGHT NICKEL CHROME

### PART NO. G172-10HA/PK

10-PACK G172-10H GUARDS, BOXED

### PART NO. G172-10HAB

WIRE DIAMETER  
RING DIA: 1.8mm  
RIB DIA: 2.3mm  
FINISH: BLACK

### PART NO. G172-10HAB/PK

10-PACK G172-10HAB GUARDS, BOXED

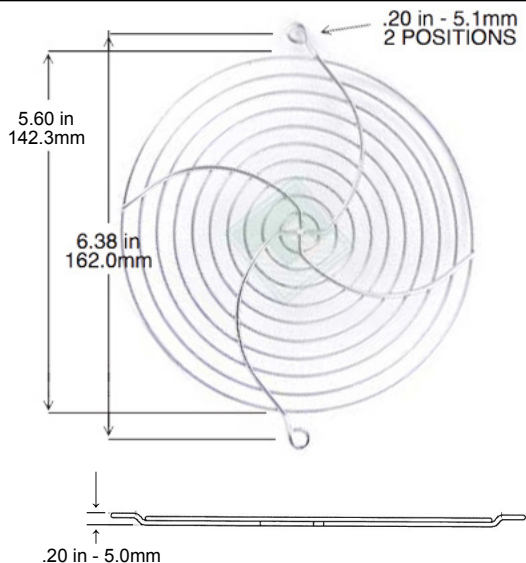
#### NOTES:

1. MATERIAL: C1008 BRIGHT BASIC WIRE

2. WELD JOINTS TO WITHSTAND 88LBS PULL FORCE

3. GENERAL TOLERANCE UNLESS NOTED +/- 0.5mm

4. PART MEETS 6.35mm PLUG GAUGE TEST



### PART NO. G172-10LN

WIRE DIAMETER  
RING DIA: 1.6mm  
RIB DIA: 2.0mm  
FINISH: BRIGHT NICKEL CHROME  
LOWER NOISE

### PART NO. G172-10LN/PK

10-PACK G172-10LN GUARDS, BOXED

#### NOTES:

1. MATERIAL: C1008 BRIGHT BASIC WIRE

2. WELD JOINTS TO WITHSTAND 70LBS PULL FORCE

3. GENERAL TOLERANCE UNLESS NOTED +/- 0.5mm

4. PART MEETS 6.35mm PLUG GAUGE TEST