

## General Description

The AOZ8170 is an 8-line device integrating EMI filtering with ESD protection for each line. It is designed to suppress unwanted EMI/RFI signals and provide electrostatic discharge (ESD) protection in portable electronic equipment. This state-of-the-art device utilizes AOS leading edge Trench Vertical Structure [TVS]<sup>2</sup>™ technology for superior clamping performance and filter attenuation over the full operating display range. The AOZ8170 has been optimized for protection of color LCD displays and CCD camera lines in cellular phones and other portable consumer electronic devices.

The AOZ8170 consists of eight identical circuits comprised of TVS diodes for ESD protection, and a resistor–capacitor network for EMI/RFI filtering. A series resistor value of 100Ω and a capacitance value of 8pF are used to achieve -20dB minimum attenuation from 700MHz to 3.0GHz. The TVS diodes provide effective suppression of ESD voltages in excess of ±15kV (air discharge) and ±15kV (contact discharge). This exceeds IEC 61000-4-2, level 4 ESD immunity test.

The AOZ8170 comes in an RoHS compliant, 4.0mm x 1.6mm, 0.55mm pitch DFN package and is rated over a -40°C to +85°C ambient temperature range.

## Features

- 8 lines for EMI filtering and ESD protection:
  - Exceeds IEC 61000-4-2, level 4 (ESD) immunity test
  - ±15kV (air discharge) and ±15kV (contact discharge)
- Trench Vertical Structure [TVS]<sup>2</sup>™ based technology used to achieve excellent ESD clamping & filter performance over the full operating display range
- Filter performance: -20db attenuation from 700MHz to 3.0GHz
- Low operating voltage: 5.0V
- Capacitance stability over wide range of voltages and temperatures
- DFN package: 4.0mm x 1.6mm, 0.55mm pitch
- Pb-Free device
- Green product

## Applications

- EMI filtering and ESD protection for data lines
- LCD displays, camera interface, I/O interface
- Portable handheld devices, cell phones, PDA phones



## Typical Application

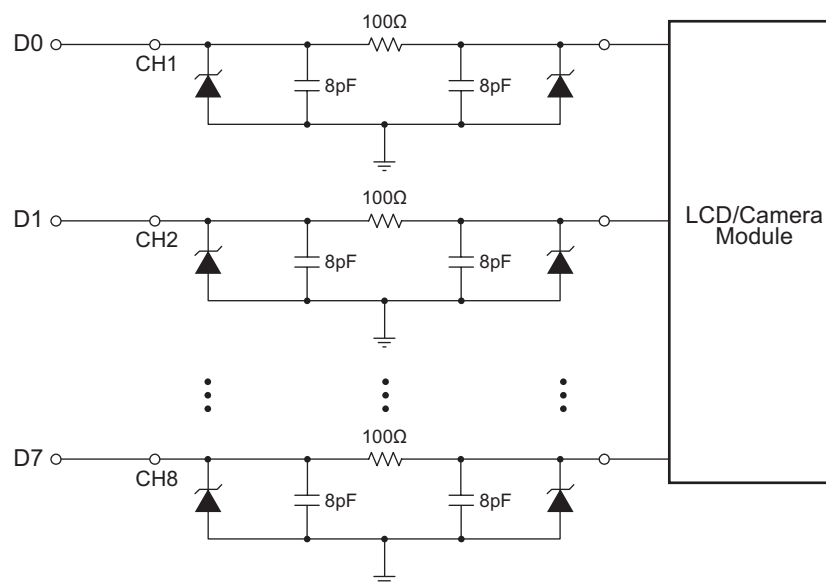


Figure 1.

## Ordering Information

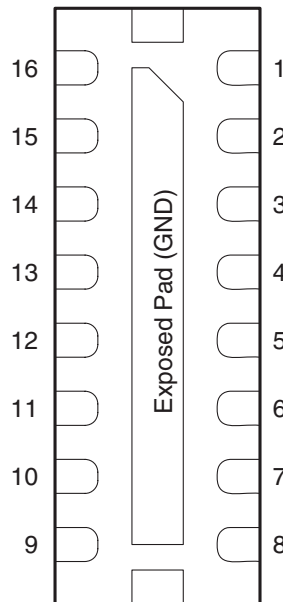
Part Number	Ambient Temperature Range	Package	Environmental
AOZ8170DT	-40°C to +85°C	TDFN-16	Green Product



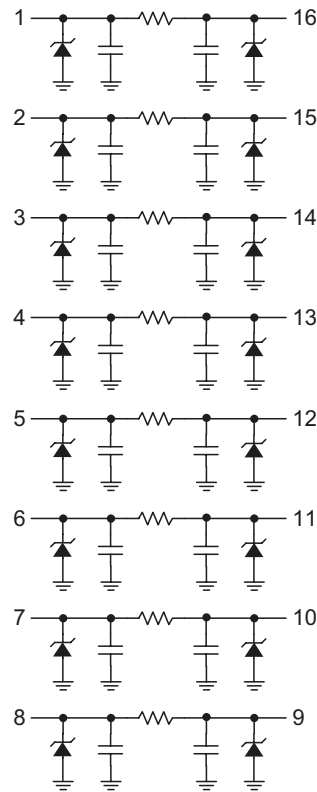
AOS Green Products use reduced levels of Halogens, and are also RoHS compliant.

Please visit [www.aosmd.com/web/quality/rohs\\_compliant.jsp](http://www.aosmd.com/web/quality/rohs_compliant.jsp) for additional information.

## Pin Configuration



**TDFN-16**  
(Bottom View)



**Top View**

## Pin Description

Pin Number	Pin Name	Pin Function
1,16	CH 1	Channel 1 Connections
2, 15	CH 2	Channel 2 Connections
3, 14	CH 3	Channel 3 Connections
4, 13	CH 4	Channel 4 Connections
5, 12	CH 5	Channel 5 Connections
6, 11	CH 6	Channel 6 Connections
7, 10	CH 7	Channel 7 Connections
8, 9	CH 8	Channel 8 Connections
Exposed Pad	GND	Common Ground Connection

## Absolute Maximum Ratings

Exceeding the Absolute Maximum ratings may damage the device.

Parameter	Rating
Storage Temperature ( $T_S$ )	-65°C to +150°C
ESD Rating per IEC61000-4-2, contact <sup>(1)</sup>	±15kV
ESD Rating per IEC61000-4-2, air <sup>(1)</sup>	±15kV
ESD Rating per Human Body Model <sup>(2)</sup>	±30kV

### Notes:

- IEC 61000-4-2 discharge with  $C_{Discharge} = 150\text{pF}$ ,  $R_{Discharge} = 330\Omega$ .
- Human Body Discharge per MIL-STD-883, Method 3015  $C_{Discharge} = 100\text{pF}$ ,  $R_{Discharge} = 1.5\text{k}\Omega$ .

## Electrical Characteristics

$T_A = 25^\circ\text{C}$  unless otherwise specified.

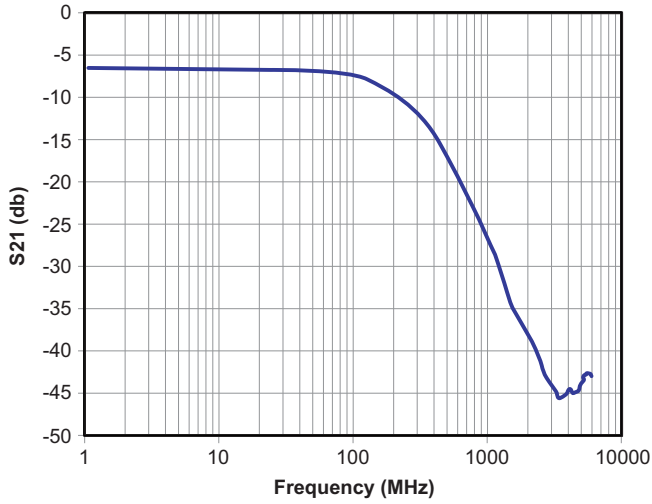
Symbol	Parameter	Conditions	Min.	Typ.	Max.	Units
$V_{RWM}$	Reverse Working Voltage	(3)			5.0	V
$V_{BR}$	Reverse Breakdown Voltage	$I_T = 1\text{mA}^{(4)}$	6	7	8	V
$I_R$	Reverse Leakage Current	$V_{RWM} = 3.3\text{V}$			0.1	$\mu\text{A}$
$V_{CL}$	Signal Clamp Voltage	$I_{LOAD} = 1\text{A}$ , positive clamp <sup>(5)(8)</sup> $I_{LOAD} = 1\text{A}$ , negative clamp <sup>(5)(8)</sup>			9.0 -2.5	V
		$I_{LOAD} = 5\text{A}$ , positive clamp <sup>(5)(8)</sup> $I_{LOAD} = 5\text{A}$ , negative clamp <sup>(5)(8)</sup>			11.5 -3.5	
		$I_{LOAD} = 12\text{A}$ , positive clamp <sup>(5)(8)</sup> $I_{LOAD} = 12\text{A}$ , negative clamp <sup>(5)(8)</sup>			14.0 -5.0	
$R_{CH}$	Total Series Resistance	$I_R = 20\text{mA}$	90	100	110	$\Omega$
$C_{CH}$	Channel Capacitance	Input to Ground <sup>(6)(7)(8)</sup>	7	8	9	pF
$f_C$	Cut-off Frequency	Measured with $50\Omega$ source and $50\Omega$ load termination		220		MHz
	Attenuation from 700MHz to 3.0GHz	$V_R = 0\text{V}$ Measured with $50\Omega$ source and $50\Omega$ load termination		-20		dB

### Notes:

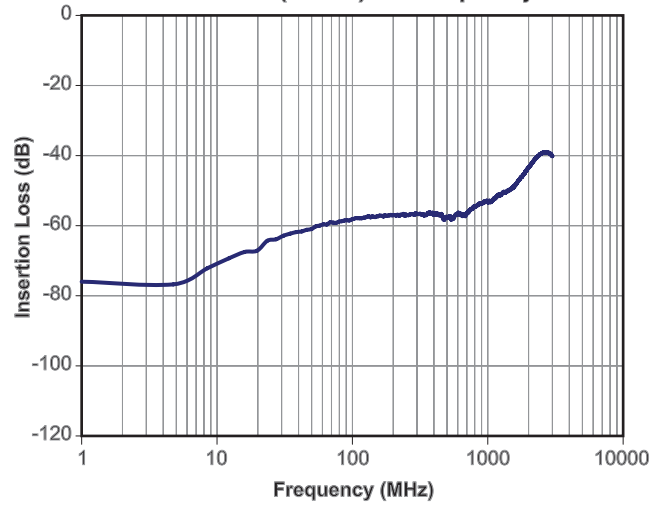
- The working peak reverse voltage,  $V_{RWM}$ , should be equal to or greater than the DC or continuous peak operating voltage level.
- $V_{BR}$  is measured at the pulse test current  $I_T$ .
- Measurements performed using a 100ns Transmission Line Pulse (TLP) system.
- Total capacitance is equal to  $2 \times C_{CH}$ .
- Measured at  $25^\circ\text{C}$ ,  $V_R = 2.5\text{V}$ ,  $f = 1.0\text{MHz}$ .
- Guaranteed by design.

## Typical Performance Characteristics

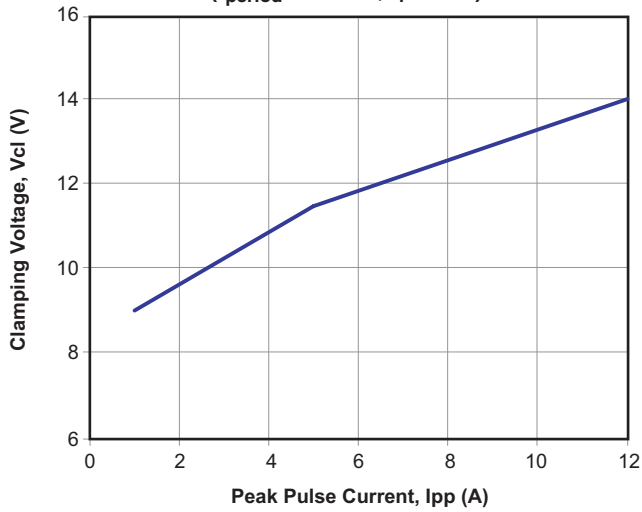
Insertion Loss Characteristics



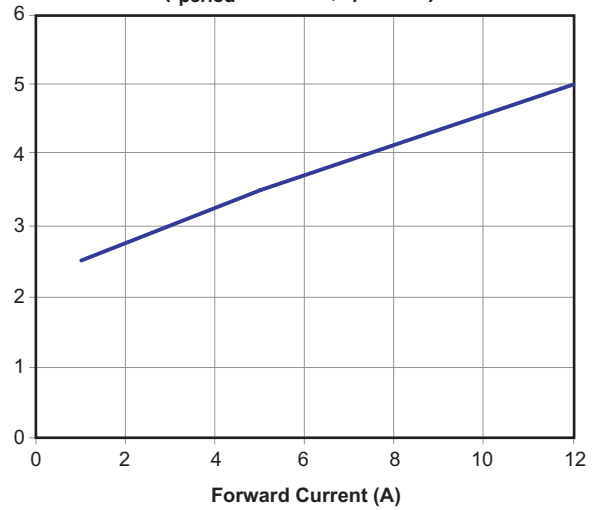
Crosstalk (I/O-I/O) vs. Frequency



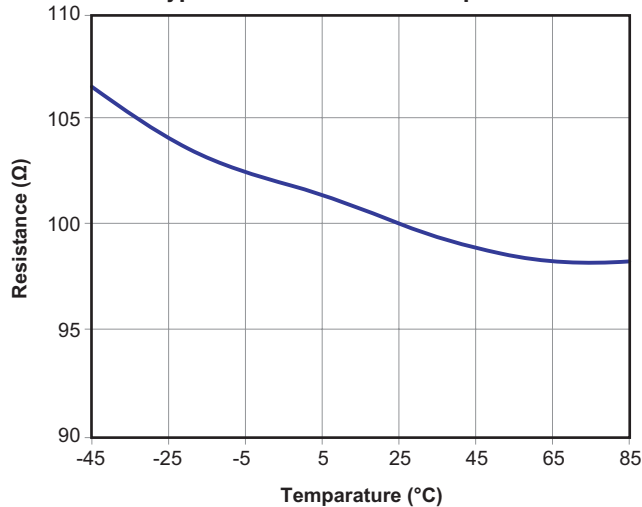
Clamping Voltage vs. Peak Pulse Current  
( $t_{\text{period}} = 100\text{ns}$ ,  $t_r = 1\text{ns}$ )



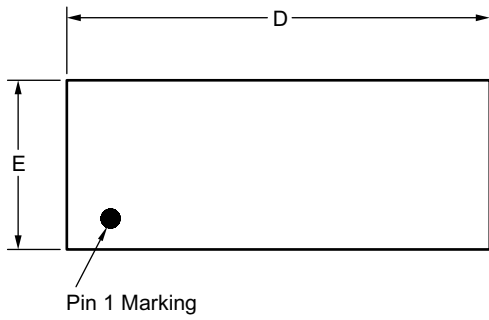
Forward Voltage vs. Forward Current  
( $t_{\text{period}} = 100\text{ns}$ ,  $t_r = 1\text{ns}$ )



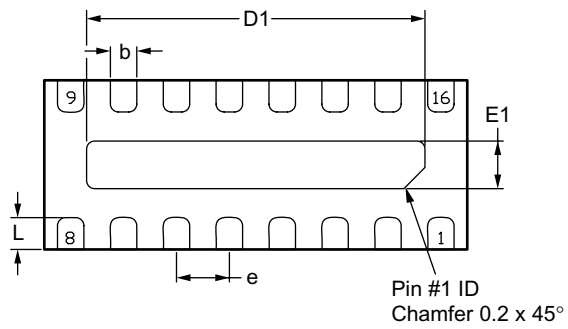
Typical Resistance vs. Temperature



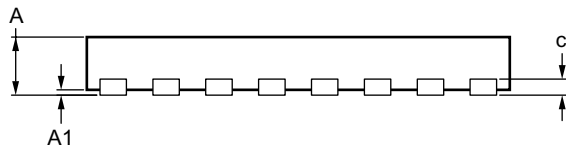
Package Dimensions, TDFN 4 x 1.6



TOP VIEW

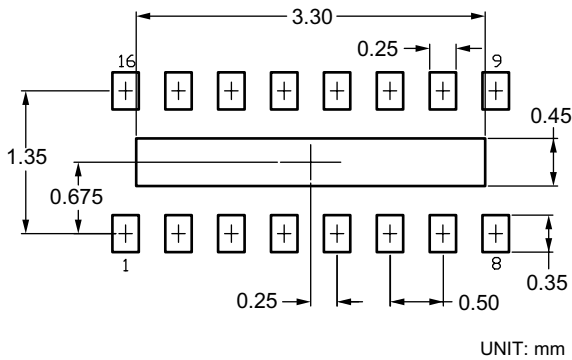


BOTTOM VIEW



SIDE VIEW

RECOMMENDED LAND PATTERN



Dimensions in millimeters

Symbols	Min.	Nom.	Max.
A	0.50	0.55	0.60
A1	0.00	—	0.05
b	0.20	0.25	0.30
c	0.152 REF.		
D	3.95	4.00	4.05
E	1.55	1.60	1.65
D1	3.15	3.20	3.25
E1	0.40	0.45	0.50
e	0.50 BSC		
L	0.25	0.30	0.35

Dimensions in inches

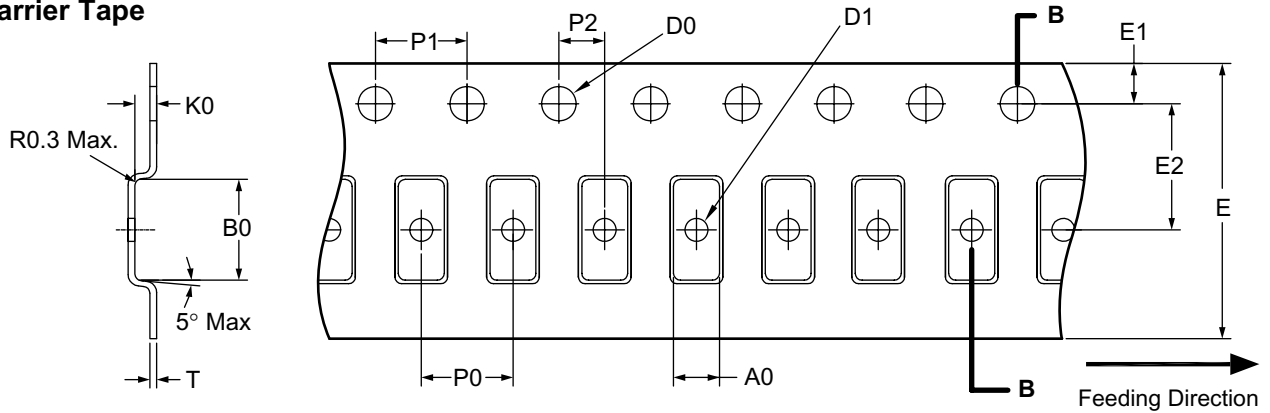
Symbols	Min.	Nom.	Max.
A	0.020	0.022	0.024
A1	0.000	—	0.002
b	0.008	0.010	0.012
c	0.006 REF.		
D	0.156	0.157	0.159
E	0.061	0.063	0.065
D1	0.124	0.126	0.128
E1	0.016	0.018	0.020
e	0.020 BSC		
L	0.010	0.012	0.014

Note:

1. Controlling dimension is millimeter. Converted inch dimensions are not necessarily exact.

### Tape and Reel Dimensions, TDFN 4 x 1.6

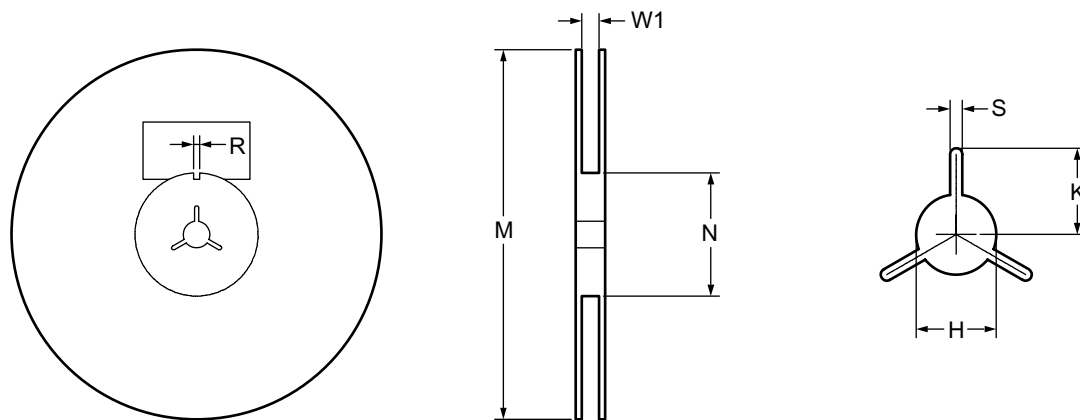
#### Carrier Tape



Unit: mm

Package	A0	B0	K0	D0	D1	E	E1	E2	P0	P1	P2	T
DFN 4x1.6	2.00 ±0.1	4.40 ±0.1	0.95 ±0.1	∅1.50 +0.1/-0	∅1.00 +0.1/-0	12.00 ±0.3	1.75 ±0.10	5.50 ±0.1	4.00 ±0.10	4.00 ±0.10	2.00 ±0.10	0.30 ±0.05

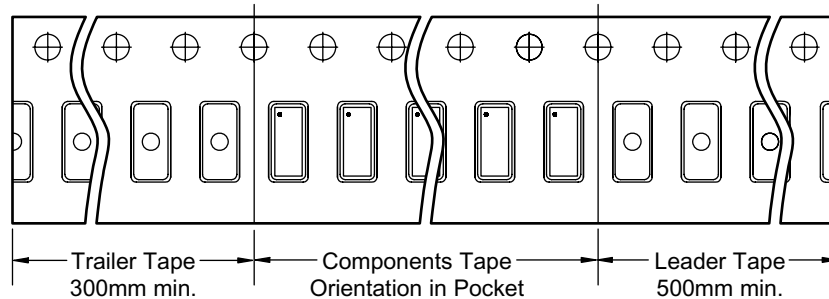
#### Reel



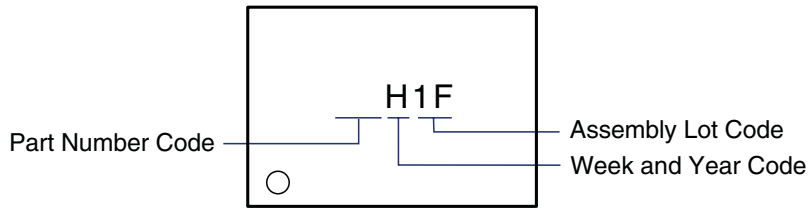
Unit: mm

Tape Size	Reel Size	M	N	W1	H	S	K	R
12mm	∅330	∅330.00 ±0.30/-4.00	55.00 ±0.40	12.4 +2.0/-0	13.00 ±0.20	2.20 ±0.20	10.60 ±0.20	—

#### Leader / Trailer & Orientation



## Part Marking



**Alpha & Omega Semiconductor reserves the right to make changes to this data sheet at any time without notice.**

### LIFE SUPPORT POLICY

ALPHA & OMEGA SEMICONDUCTOR PRODUCTS ARE NOT AUTHORIZED FOR USE AS CRITICAL COMPONENTS IN LIFE SUPPORT DEVICES OR SYSTEMS.

As used herein:

1. Life support devices or systems are devices or systems which, (a) are intended for surgical implant into the body or (b) support or sustain life, and (c) whose failure to perform when properly used in accordance with instructions for use provided in the labeling, can be reasonably expected to result in a significant injury of the user.
2. A critical component in any component of a life support, device, or system whose failure to perform can be reasonably expected to cause the failure of the life support device or system, or to affect its safety or effectiveness.