

120 mm sq.

San Ace 120WS



General Specifications

- Material Frame: Plastics (Flammability: UL94V-0),
Impeller: Plastics (Flammability: UL94V-1)
- Expected Life Refer to specifications (Indoor, L10:Survival rate: 90% at 60°C ,
rated voltage, and continuously run in a free air state)
- Lead Wire ⊕red ⊖black or blue (Sensor) yellow
- Storage Temperature -30°C to +70°C (Non-condensing)

120×120×38mm (Mass : 260g) **IP 54** **9WS type**

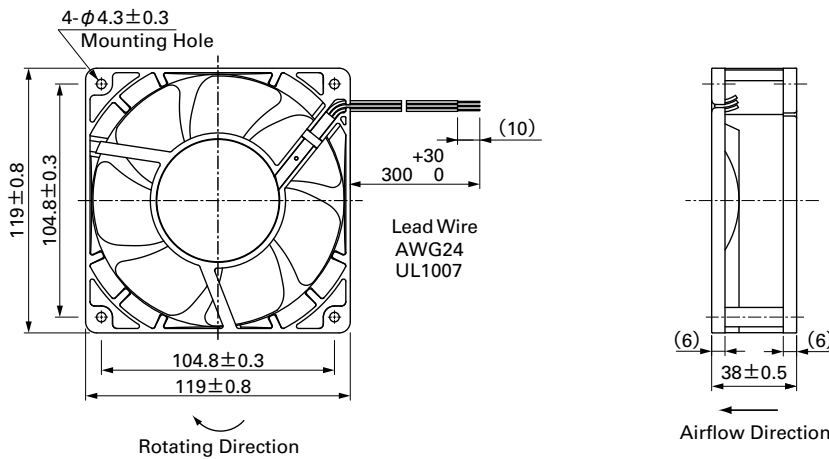
Specifications

The following nos. **have pulse sensors and ribs**. For ribless, append "1" to the model no.

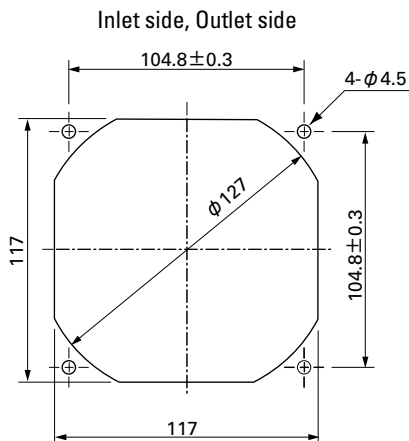
Model No.	Rated Voltage [V]	Operating Voltage Range [V]	Rated Current [A]	Rated Input [W]	Rated Speed [min ⁻¹]	Max. Airflow [m ³ /min] [CFM]	Max. Static Pressure [Pa] [inchH ₂ O]	SPL [dB(A)]	Operating Temperature [°C]	Expected Life [h]
9WS1212H101	12	6 to 13.2	0.47	5.64	2,600	2.9 102.4	67.62 0.272	39	- 20 to + 60	40,000/60°C
9WS1212M101		6 to 13.8	0.23	2.76	1,950	2.2 77.7	42.14 0.169	32	- 20 to + 70	
9WS1224H101	24	12 to 26.4	0.23	5.52	2,600	2.9 102.4	67.62 0.272	39	- 20 to + 60	
9WS1224M101		12 to 27.6	0.13	3.12	1,950	2.2 77.7	42.14 0.169	32	- 20 to + 70	
9WS1248H101	48	40.8 to 52.8	0.13	6.24	2,600	2.9 102.4	67.62 0.272	39	- 20 to + 60	
9WS1248M101		40.8 to 55.2	0.07	3.36	1,950	2.2 77.7	42.14 0.169	32	- 20 to + 70	

Other sensor specifications are available as options. Please refer to the index (p. 513).

Dimensions (unit: mm) (With ribs)



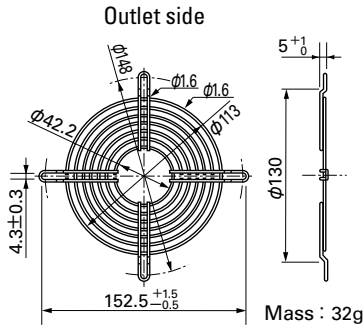
Reference Dimensions of Mounting Holes and Vent Opening (unit: mm)



Options (unit: mm)

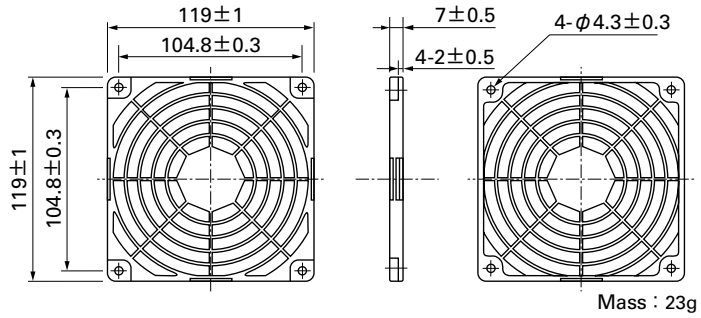
Finger Guards

Model : 109-019C Surface treatment : Nickel-chrome plating (silver) Color : 109-019H : Cation electropainting (black)



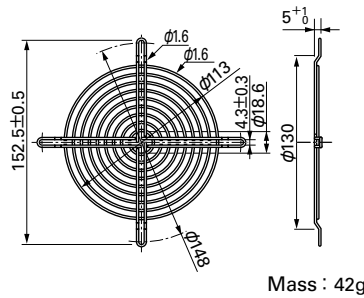
Resin Finger Guards

Model : 109-1000G

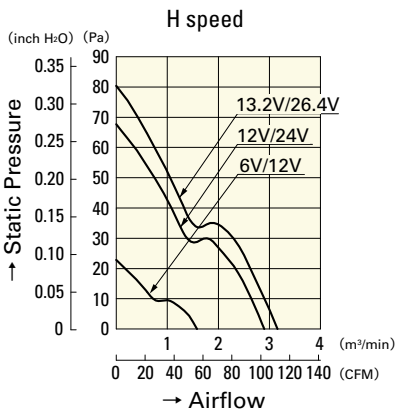


Model : 109-019E Surface treatment : Nickel-chrome plating (silver) Color : 109-019K : Cation electropainting (black)

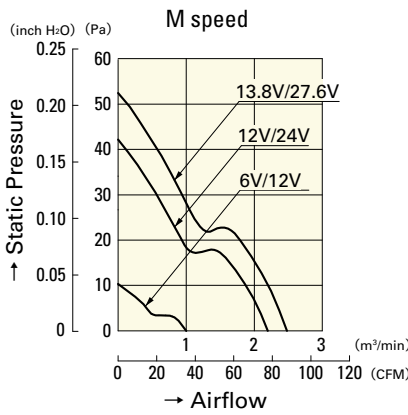
Inlet side, Outlet side



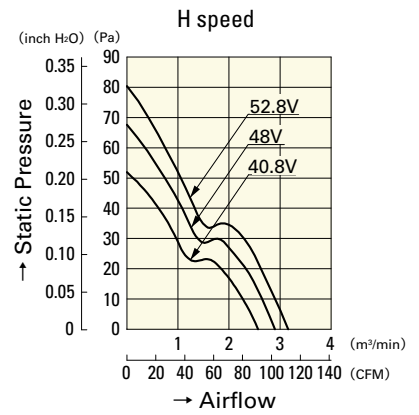
Airflow - Static Pressure Characteristics



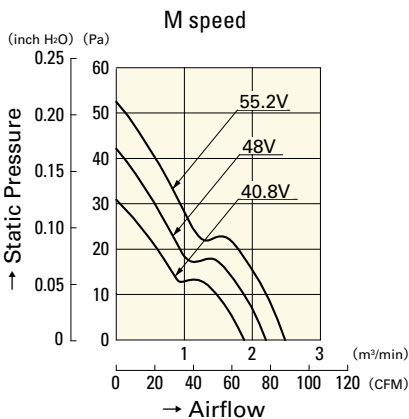
9WS1212H101
9WS1224H101



9WS1212M101
9WS1224M101



9WS1248H101



9WS1248M101