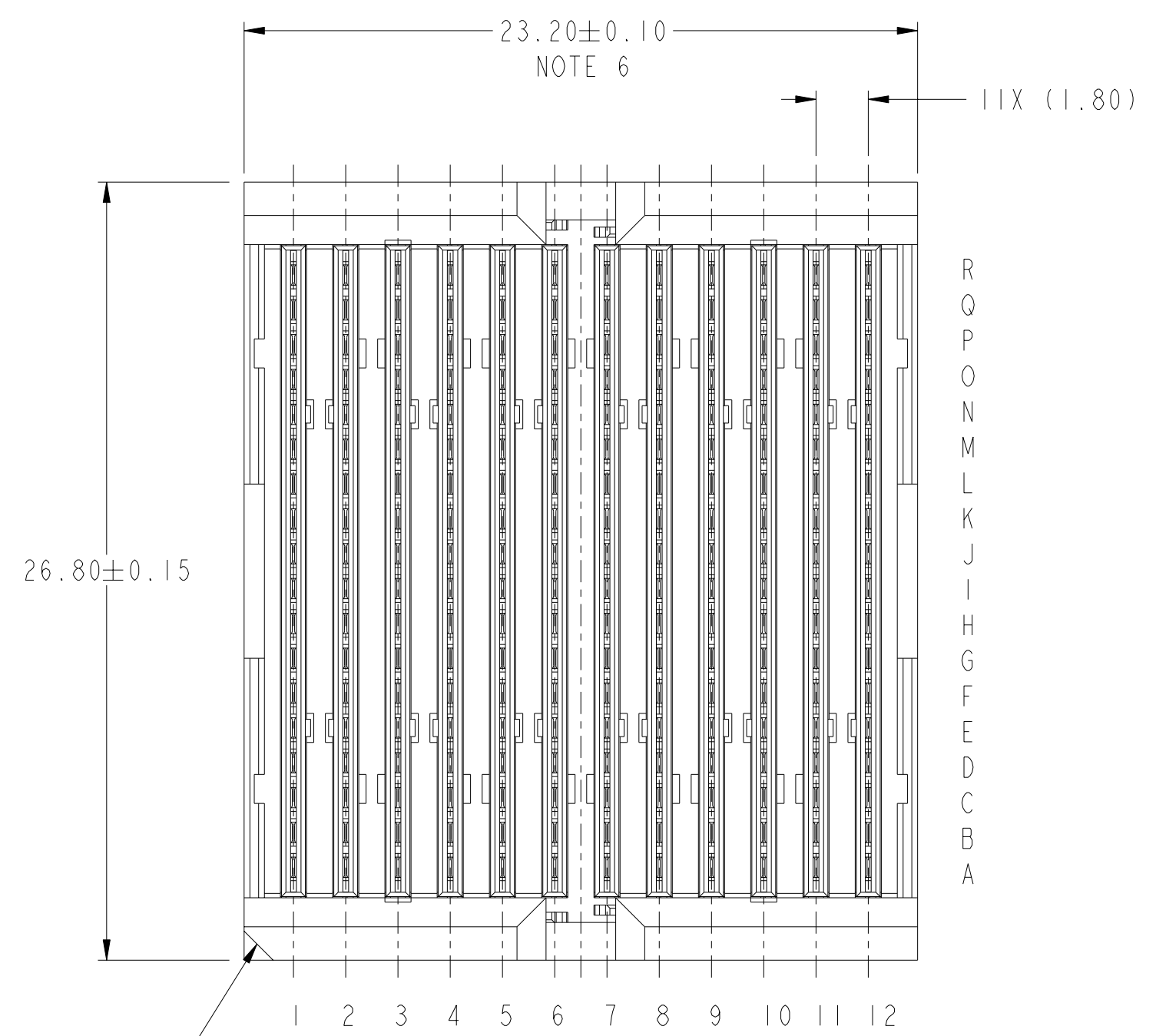
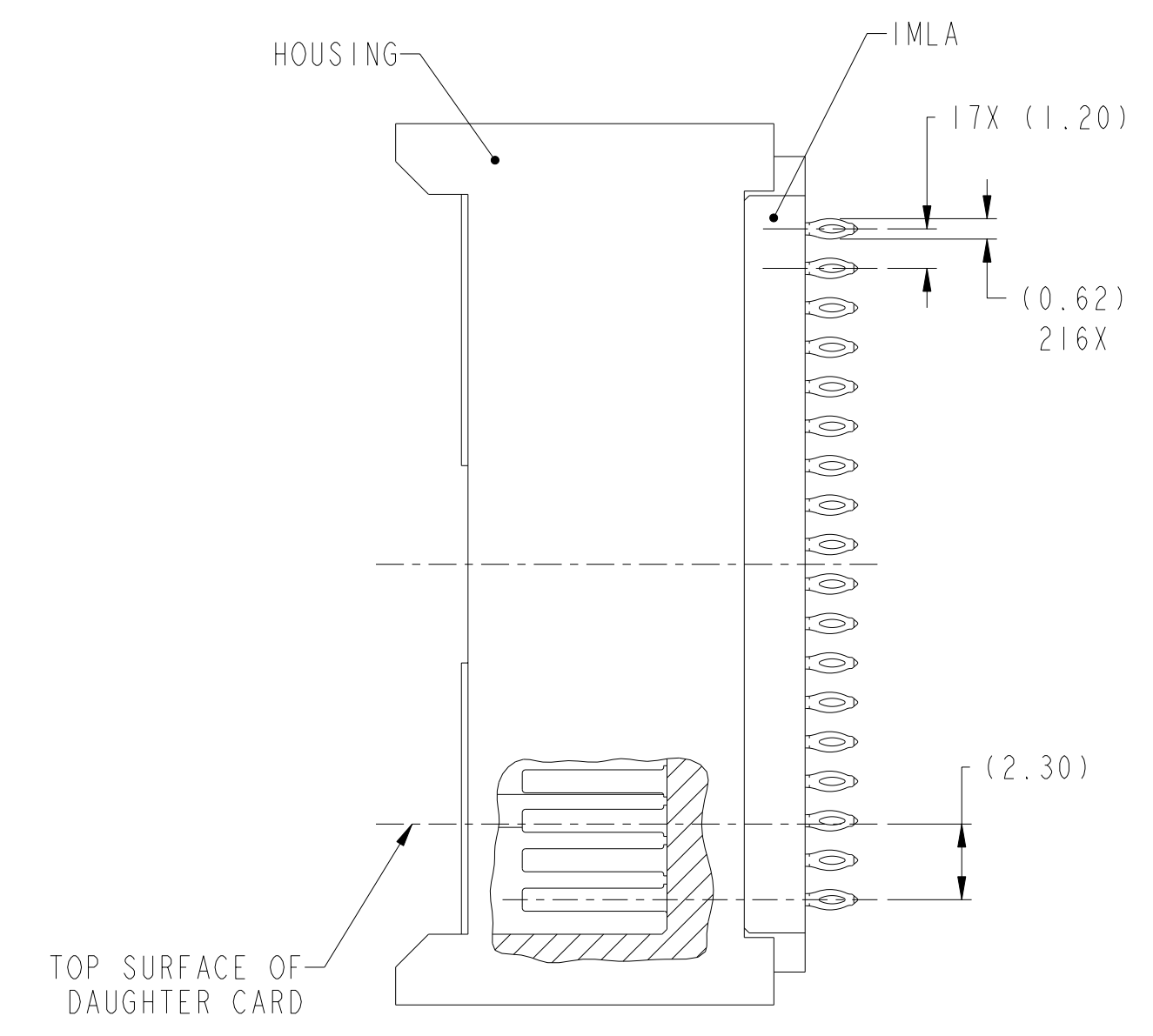
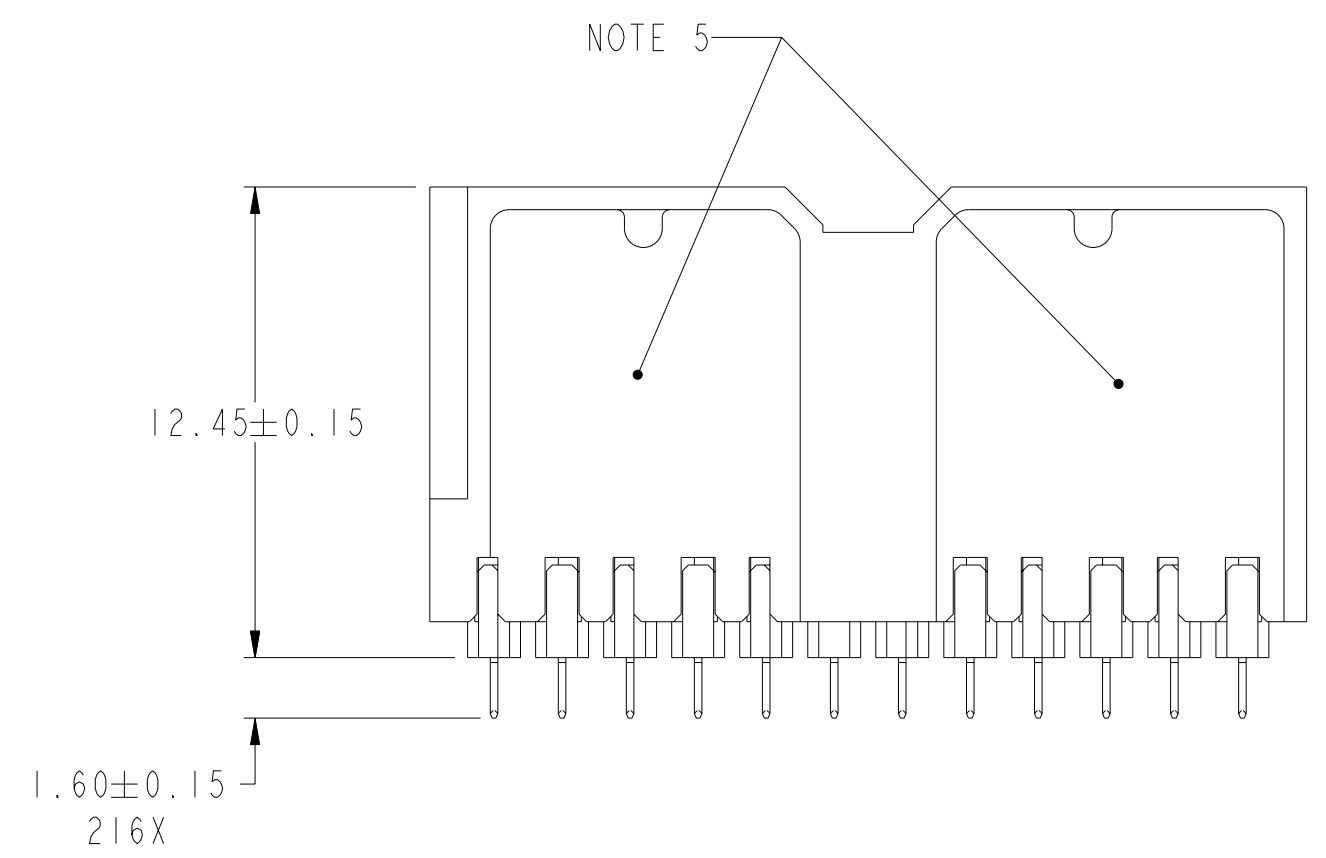


Product number
SEE TABLE, SHT 3



POS AI INDICATOR
NOTE 12



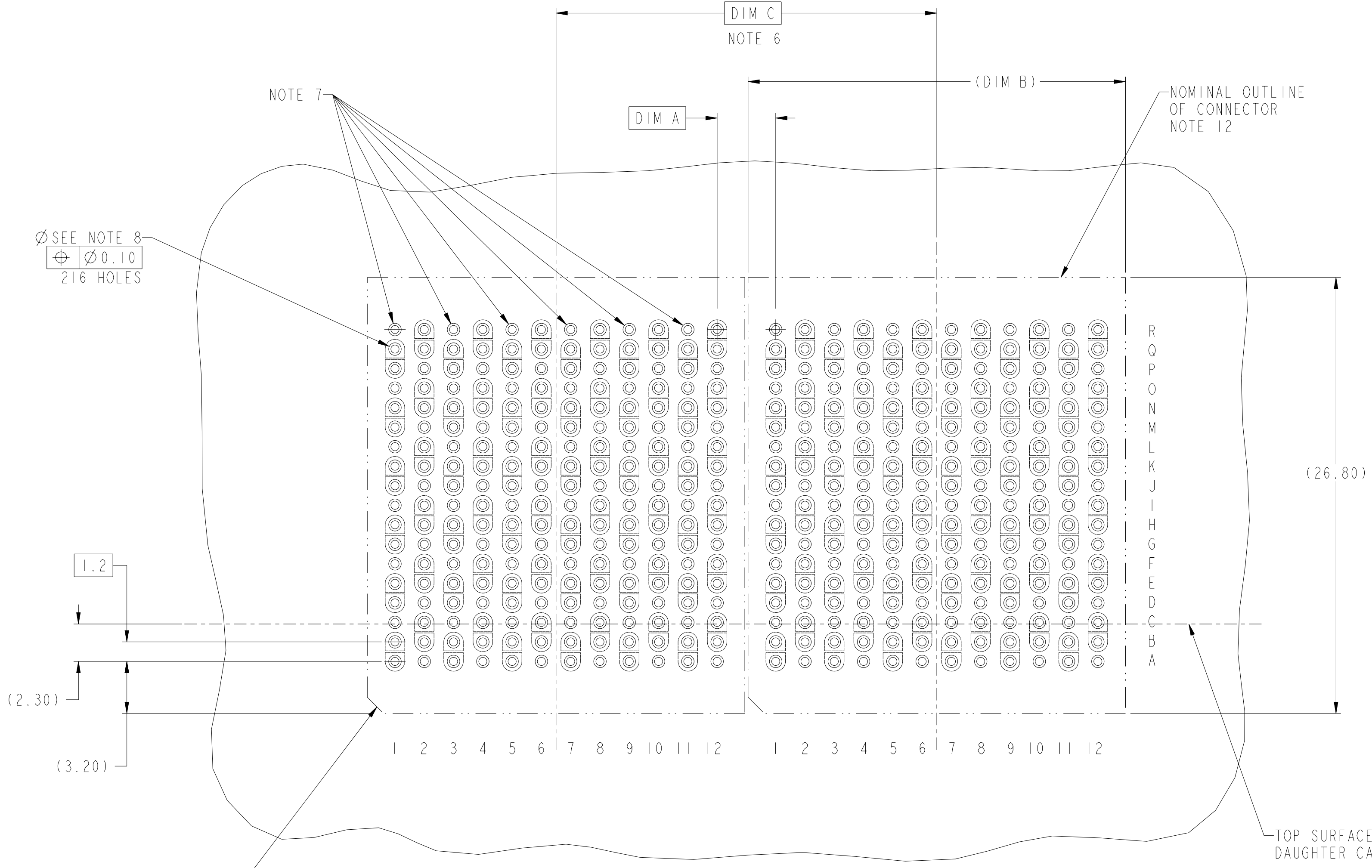
TOP SURFACE OF
DAUGHTER CARD

Copyright FCJ
FCJ

rev	ecn no	dr	date
A	V09-0144	DMJ	2009-04-01
-	-	-	-
-	-	-	-
-	-	-	-
-	-	-	-
-	-	-	-

www.fciconnect.com		surface ASME Y14.5	tolerance std ASME Y14.5	projection	MM
TOLERANCES UNLESS OTHERWISE SPECIFIED		ANGULAR	LINEAR	size A2	Scale 5:1
Dr	G. HULL	2007-10-03	0.X	±0.3	ECN
Eng	D. JOHNESCU	2007-10-03	0.XX	±0.10	***
Chr	D. JOHNESCU	2007-10-03	0° ±2°	0.XXX	±0.050
Appr	D. JOHNESCU	2008-10-16	Product family		ZipLine
FCJ		Title		ZipLine VERT HEADER ASSY	Rev. A
		Part no		6 PR, 12 IMLA, 1.8mm PITCH, 23.4mm	10080638
		Catalog no		CUSTOMER	sheet 1 of 3

	1	2	3	4	5	6	7	8
	DESCRIPTION	DIM A	DIM B	DIM C				
A	2-23.40MM MODULES PLACED END-TO-END	3.60	2X 23.20	23.40				
	1-21.60MM MODULE & 1-23.40MM MODULE PLACED END-TO-END	2.70	1X 21.40 1X 23.20	22.50				



RECOMMENDED PCB LAYOUT
FOR DIFFERENTIAL APPLICATIONS,
COMPONENT SIDE
(TWO ADJACENT FOOTPRINTS SHOWN)
NOTE 8

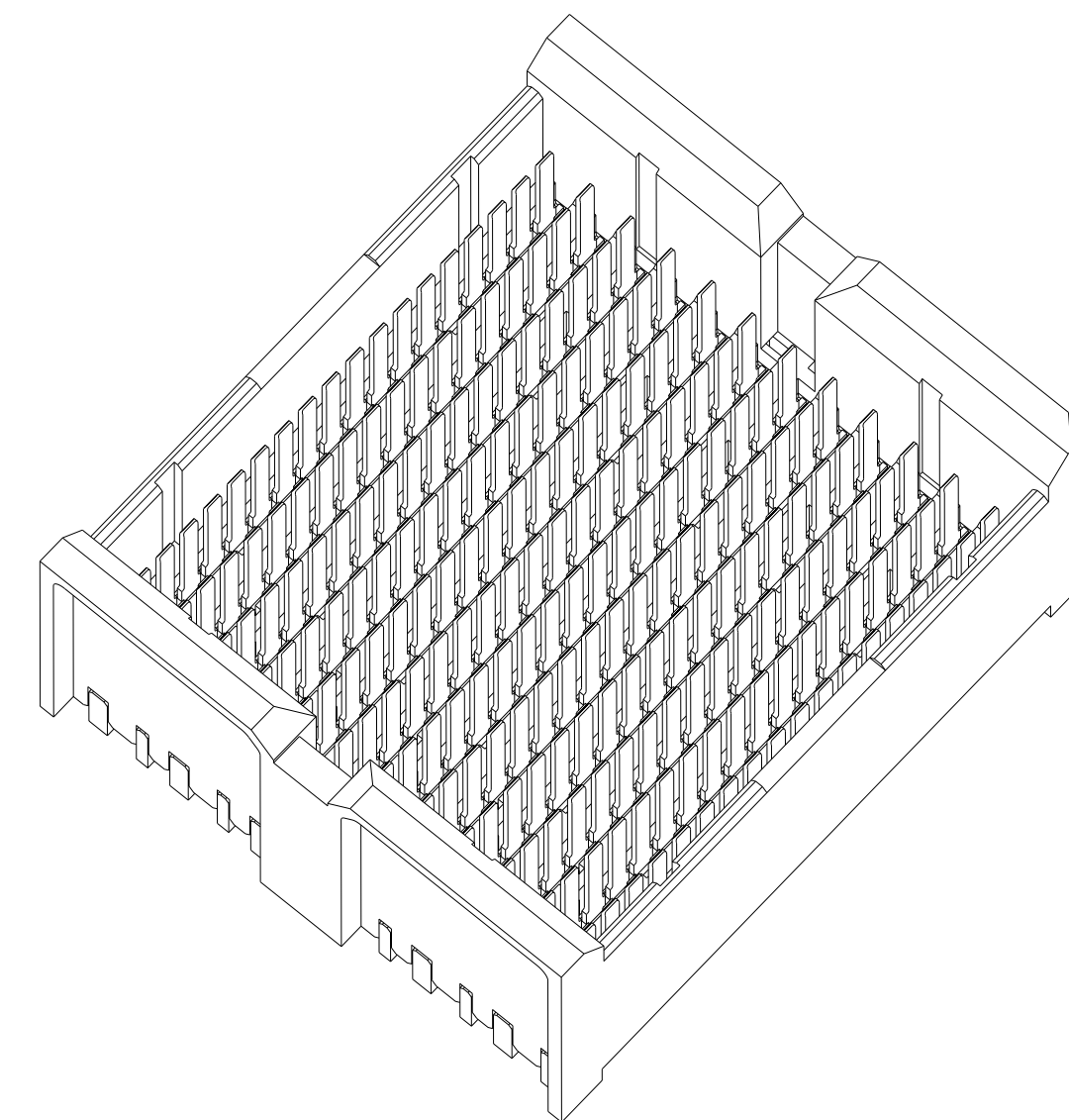
Copyright FCJ
FCJ

FCJ	TITLE	ZipLine VERT HEADER ASSY	drawing no	10080638	Rev.	A
	6 PR, 12 IMLA, 1.8mm PITCH, 23.4mm			CUSTOMER		sheet 2 of 3

PART NUMBER	PRESS-FIT TAIL PLATING TYPE
10080638-101	TIN LEAD ALLOY OVER NICKEL
10080638-101LF	TIN OVER NICKEL (LEAD FREE)

NOTES:

1. CONNECTOR MATERIALS:
HOUSING: HIGH TEMP THERMOPLASTIC, BLACK, UL94V-0
IMLA PLASTIC: HIGH TEMP THERMOPLASTIC, BLACK, UL94V-0
CONTACT: COPPER ALLOY
2. CONTACT PLATING:
SEPARABLE INTERFACE: PERFORMANCE-BASED PLATING, QUALIFIED TO MEET THE REQUIREMENTS OF FCI PRODUCT SPECIFICATION GS-12-452 INCLUDING TELCORDIA GR-1217-CORE (NOVEMBER 1995) CENTRAL OFFICE TEST SEQUENCE
PRESS-FIT TAILS: SEE TABLE
3. PRODUCT SPECIFICATION: GS-12-452.
4. APPLICATION SPECIFICATION: GS-20-094.
5. PRODUCT MARKING, (PART NUMBER & LOT CODE), ON THESE SURFACES.
6. DIM "C" ON SHEET 2, PROVIDES THE MINIMUM CENTERLINE SPACING BETWEEN ADJACENT MODULES.
7. THERE IS NO GROUND BUSSING WITHIN THE HEADER CONNECTOR. HOWEVER, POSITIONS R1, R3, R5, R7, R9, & R11 OF THE MATING RECEPTACLE ARE BUSSED. THESE MUST BE ASSIGNED AS GROUNDS.
8. REFER TO CUSTOMER DRAWING 10045979 FOR INFORMATION ON PCB HOLE DIAMETERS AND PLATING OPTIONS.
9. THIS PRODUCT MEETS EUROPEAN UNION DIRECTIVES AND OTHER COUNTRY REGULATIONS AS DESCRIBED IN GS-22-008.
10. THE HOUSING WILL WITHSTAND EXPOSURE TO 260°C PEAK TEMPERATURE FOR 40 SECONDS IN A CONVECTION, INFRA-RED OR VAPOR PHASE REFLOW OVEN.
11. PACKAGING MEETS GS-14-920 LEAD FREE LABELING SPECIFICATION.
12. CONNECTOR OUTLINE WITH HOUSING POS A1 INDICATOR MAY BE SCREEN PRINTED ONTO CUSTOMER PCB TO BE USED AS A GUIDE FOR MANUAL CONNECTOR PLACEMENT.



10080638-101

FCJ	title	ZipLine VERT HEADER ASSY	dwg no	10080638	Rev.	A
	6 PR, 12 IMLA, 1.8mm PITCH, 23.4mm	catalog no	CUSTOMER	sheet 3 of 3		