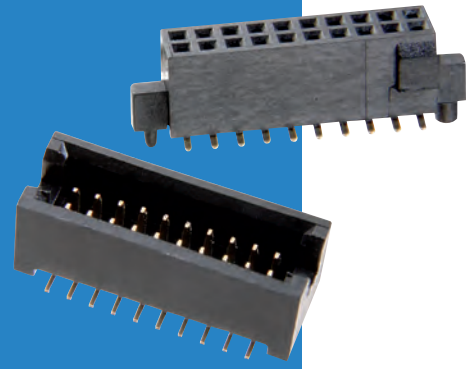


# Archer Connectors – Polarised

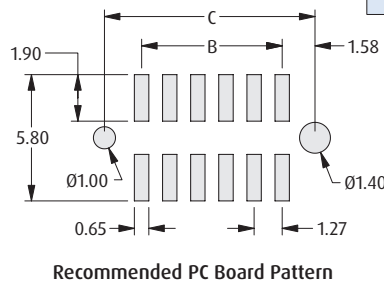
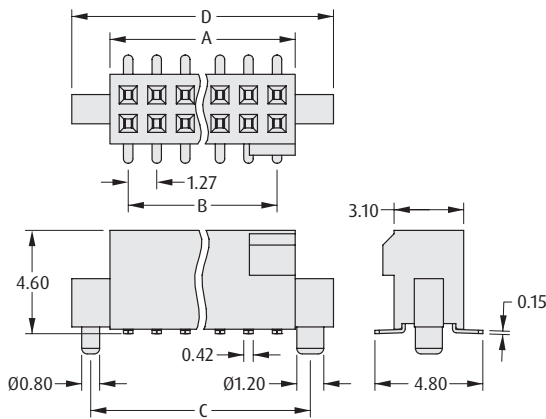
## Vertical Surface Mount

- Mating connectors in Surface Mount format.
- Female connector is also suitable for use with male PC Tail connectors on the following page.
- Polarisation to prevent mis-mating.
- Locating pegs of different sizes ensure correct orientation and positioning on the board.
- Shrouded for additional pin protection.



1.27mm (.050") PITCH

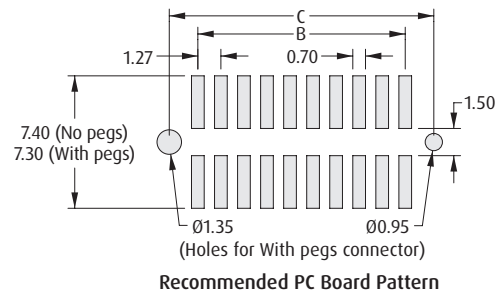
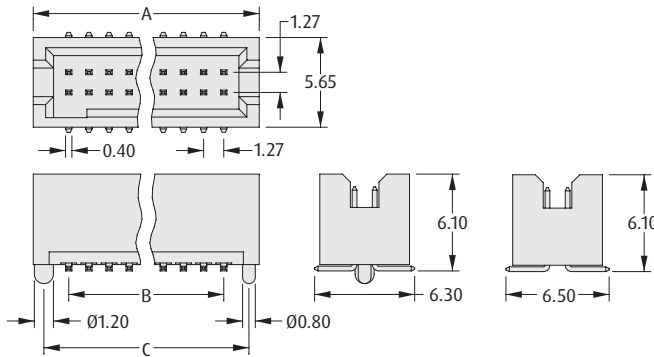
### FEMALE



### CALCULATION

|          |  |
|----------|--|
| <b>A</b> | $B + 1.62$   |
| <b>B</b> | $1.27 \times (\text{No. of contacts per row} - 1)$ |
| <b>C</b> | $B + 3.15$   |
| <b>D</b> | $B + 5.02$   |

### MALE



### CALCULATION

|          |  |
|----------|--|
| <b>A</b> | $B + 4.47$   |
| <b>B</b> | $1.27 \times (\text{No. of contacts per row} - 1)$ |
| <b>C</b> | $B + 3.15$   |

## HOW TO ORDER

**M50 - 4XX XX 45 X**

### SERIES CODE

#### TYPE

|            |                   |
|------------|-------------------|
| <b>430</b> | Female            |
| <b>490</b> | Male without pegs |
| <b>491</b> | Male with pegs    |

#### NO. OF CONTACTS PER ROW

|                                     |                   |
|-------------------------------------|-------------------|
| <b>03 to 50</b>                     | Female            |
| <b>05 to 50</b>                     | Male without pegs |
| <b>05 to 08, 10, 12, 15, 20, 25</b> | Male with pegs    |

### PACKAGING

|              |  |
|--------------|--|
| <b>Blank</b> | Loose  |
| <b>R</b>     | Tape & Reeled<br>(check website for available sizes) |

### FINISH

**45** Gold

All dimensions in mm.