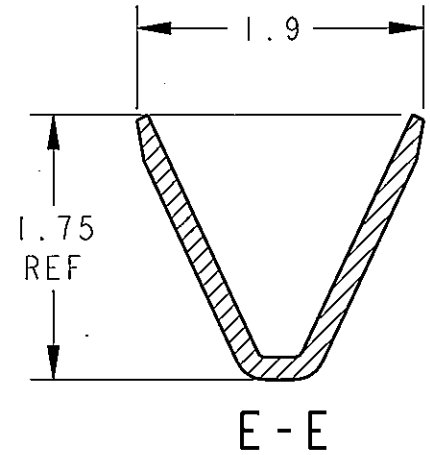
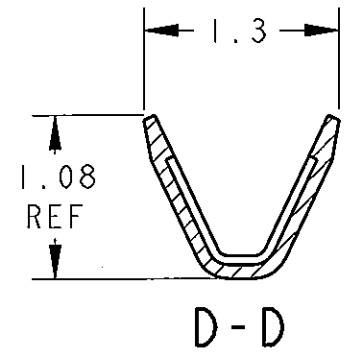
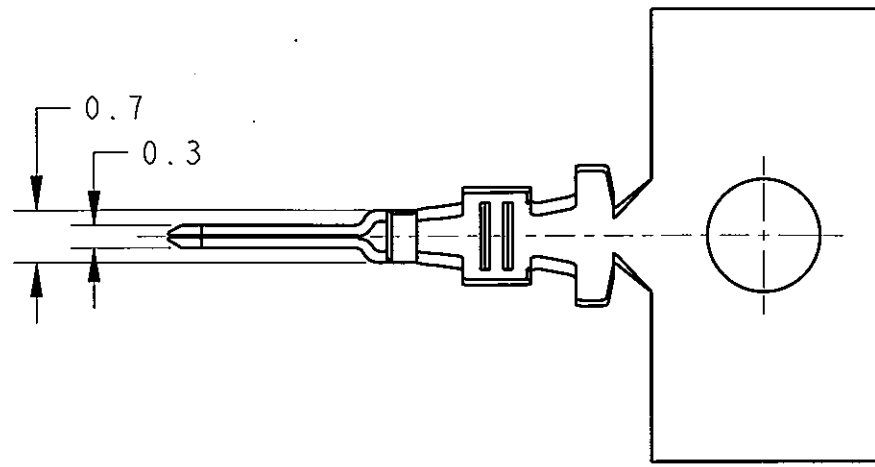
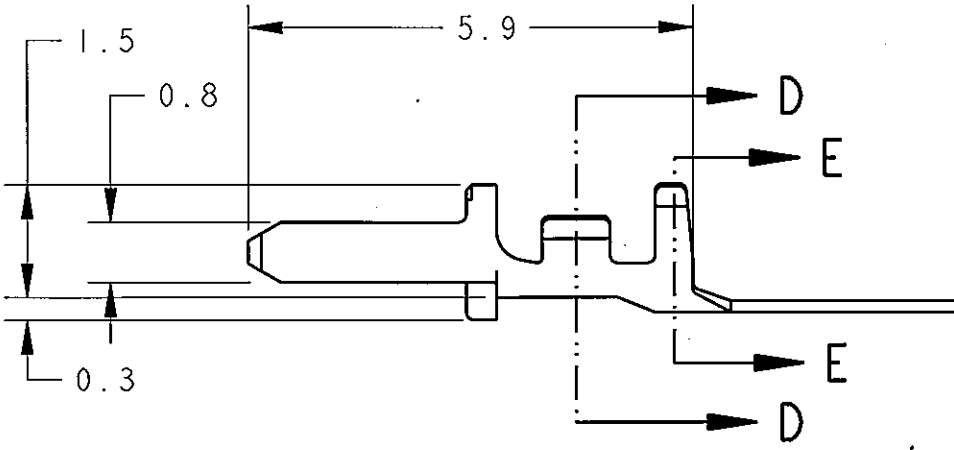


THIS DRAWING IS UNPUBLISHED. RELEASED FOR PUBLICATION 20
 © COPYRIGHT 20 BY TYCO ELECTRONICS CORPORATION. ALL RIGHTS RESERVED.

LOC	DIST	REVISIONS			
P	LTR	DESCRIPTION	DATE	DWN	APVD
J	-	A	RELEASED	24SEP2008	H. U T. K
		B	REVISED	18DEC2008	H. U T. K
		C	REVISED	11MAY2010	H. U T. M



-2; 本図
 -2; AS SHOWN



- ① 材料; 黄銅。
MATERIAL; Brass.
- ② 仕上げ; 全面ニッケル下地めっき。
CONTACT AND CRIMP AREA; Au PLATING 0.2μm MIN.
- ③ AWG#26, AWG#28対応;
対応電線: UL1508 AWG#26 素線数/素線径: 7/0.16mm² 絶縁被覆径: φ0.73-φ0.82
 対応電線: UL1508 AWG#28 素線数/素線径: 7/0.127mm² 絶縁被覆径: φ0.64-φ0.68
 WIRE SIZE AWG#26, AWG#28;
 APPLICABLE WIRES: UL1508 AWG#26 NUMBER OF CONDUCTORS/ DIAMETER OF A CONDUCTOR: 7/0.16mm² INSULATION DIAMETER: φ0.73-φ0.82
 APPLICABLE WIRES: UL1508 AWG#28 NUMBER OF CONDUCTORS/ DIAMETER OF A CONDUCTOR: 7/0.127mm² INSULATION DIAMETER: φ0.64-φ0.68
- 4. 使用ハウジング: 2040974-*
 USE HOUSING P/N: 2040974-*

THIS DRAWING IS A CONTROLLED DOCUMENT FOR TYCO ELECTRONICS CORPORATION. IT IS SUBJECT TO CHANGE AND THE CONTROLLING ENGINEERING ORGANIZATION SHOULD BE CONTACTED FOR THE LATEST REVISION.

DIMENSIONS: 単位: 毫 mm	TOLERANCES UNLESS OTHERWISE SPECIFIED: 一般公差 ±0.2 0 PLC ± 1 PLC ±0.3 2 PLC ±0.1 3 PLC ±0.001 4 PLC ±0.0001 ANGLES ±3°	DWN H. URUSHIBATA 24SEP2008 CHK T. KUDO 24SEP2008 APVD S. MANABE 24SEP2008 PRODUCT SPEC 製品規格 108-78573 APPLICATION SPEC 取付適用規格 114-5441 WEIGHT -
MATERIAL 材料	FINISH 仕上	CUSTOMER DRAWING

WIRE RANGE 適合電線断面積 0.089mm ² ~0.141mm ²	INSULATION DIA 被覆外径 ③	Tyco Electronics Corporation Kawasaki, Japan	
NAME 名称 POST CONTACT 1.0VP REMODEL		SIZE A3	CAGE CODE 00779
DRAWING NO 番号 C-2040973		RESTRICTED TO	
SCALE 尺度 20:1		SHEET OF 1	REV C