

10 9 8 7 6 5 4 3 2 1

F

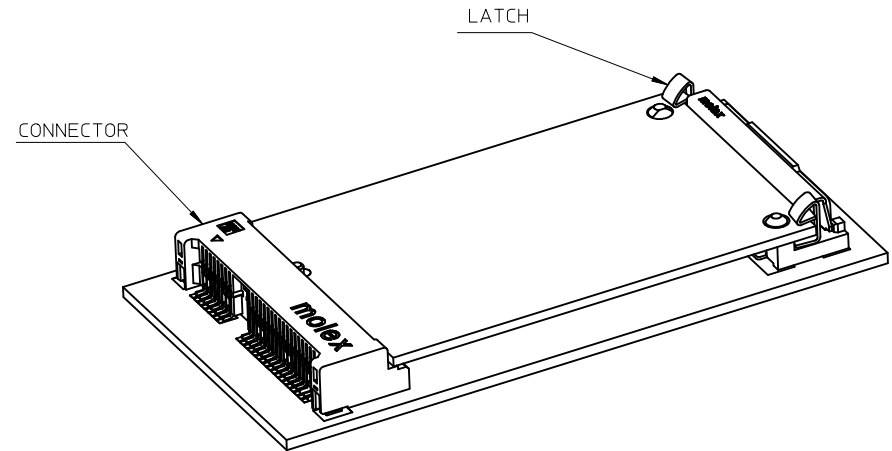
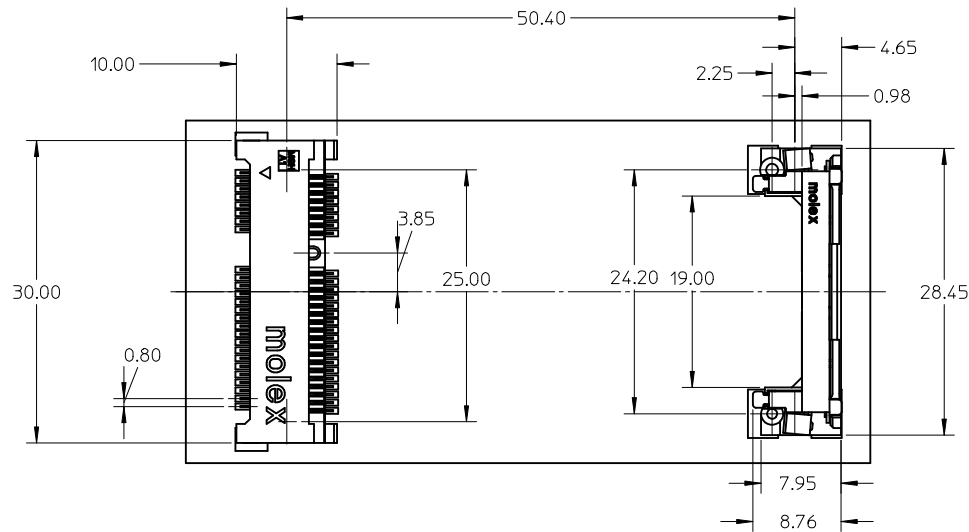
E

D

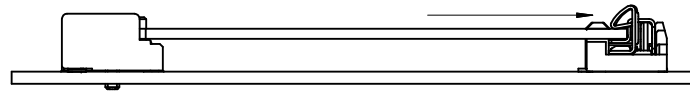
C

B

A



PUSH LATCH TO RELEASE MODULE



QUALITY SYMBOLS	
	=0
	=0

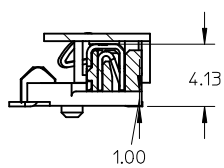
<b>REVISED</b>	EC NO: S2010-0835	2010/04/05	
	DRWN: CWANG25	2010/04/05	
	CHKD: HARVEY	2005/11/10	
	APPR: NAGESHKN	2010/04/07	
REV	DESCRIPTION		
	$F_A=0$		
	$F_C=0$		
	$F_P=0$		

GENERAL TOLERANCES (UNLESS SPECIFIED)	
	mm INCH
4 PLACES	$\pm$ --- $\pm$ ---
3 PLACES	$\pm$ --- $\pm$ ---
2 PLACES	$\pm$ 0.25 $\pm$ ---
1 PLACE	$\pm$ 0.25 $\pm$ ---
ANGULAR $\pm$ 3 °	
DRAFT WHERE APPLICABLE MUST REMAIN WITHIN DIMENSIONS	

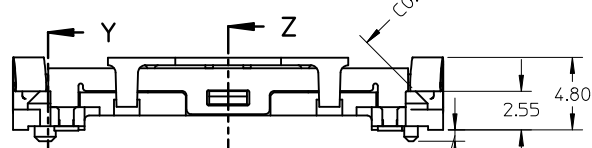
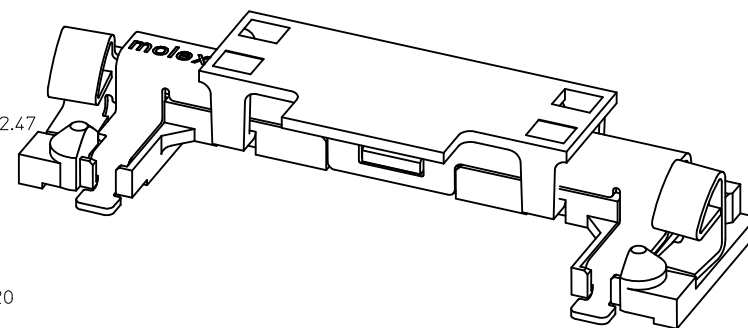
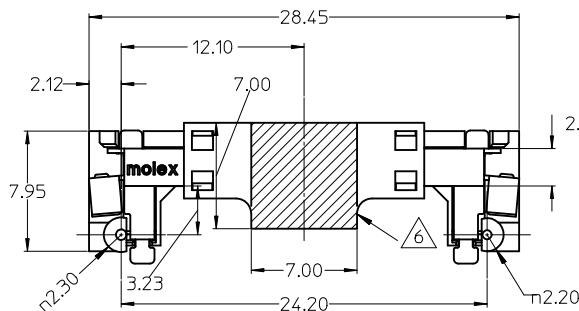
DIMENSION STYLE	
MM ONLY	
DRAWN BY	DATE
DAVID HU	2005/11/10
CHECKED BY	DATE
HARVEY	2005/11/10
APPROVED BY	DATE
NAGESHKN	2010/04/07
MATERIAL NO.	
480994000	
SIZE	
A3	

SCALE	DESIGN UNITS	THIRD ANGLE PROJECTION
NTS	METRIC	
TITLE		
LATCH FOR MINIPCI-E 4.0H 0.8MM PITCH 52 CIRCUIT WITH COVER LEAD-FREE		
MOLEX INCORPORATED		
DOCUMENT NO.	SHEET NO.	
SD-48099-400	1 OF 3	
THIS DRAWING CONTAINS INFORMATION THAT IS PROPRIETARY TO MOLEX INCORPORATED AND SHOULD NOT BE USED WITHOUT WRITTEN PERMISSION		

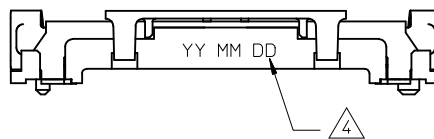
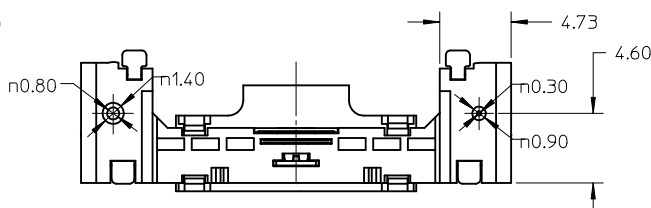
9 8 7 6 5 4 3 2 1



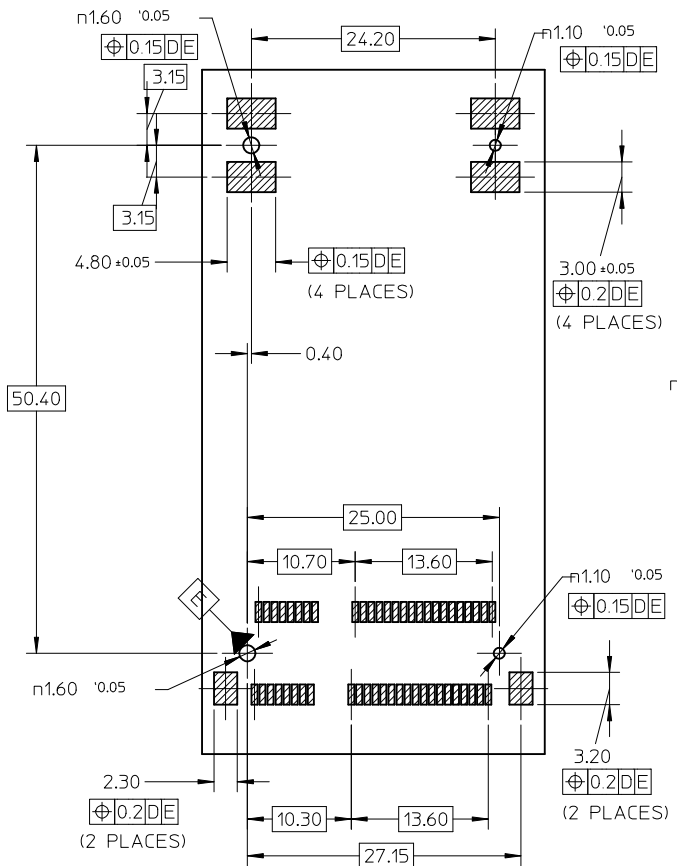
SECTION Z-Z  
Scale 3:1



SECTION Y-Y  
Scale 3:1



- NOTES:
- THIS LATCH USES WITH MINI PCI EXPRESS CONN.
  - HOUSING:PA46  
GLASS FILLED,COLOR:BLACK UL94V-0  
METAL SHELL:STAINLESS STEEL,THICKNESS:0.3MM  
BEAM:STAINLESS STEEL,THICKNESS:0.3MM
  - FINISH:GOLD FLASH PLATED IN SOLDER AREA.  
DATE CODE:YY:YEAR MM:MONTH DD:DATE
  - THE MOUDLE CARD REFERS TO MINI PCI EXPRESS CARD ELECTROMECHANICAL SPECIFICATION.
  - FOR PICK AND PLACE AREA.
  - MATCHED CONNECTOR:67910-0002,67910-1002
  - DATUM D IS THE TOP SURFACE OF PCB.
  - PART 48099\*\*\*\* COMPLIANT TO ROHS DIRECTIVE 2002/95/EC AND ELV DIRECTIVE 2000/53/EC.

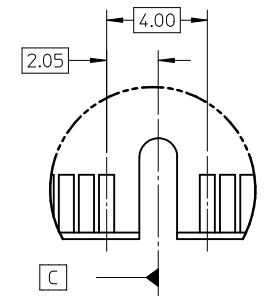
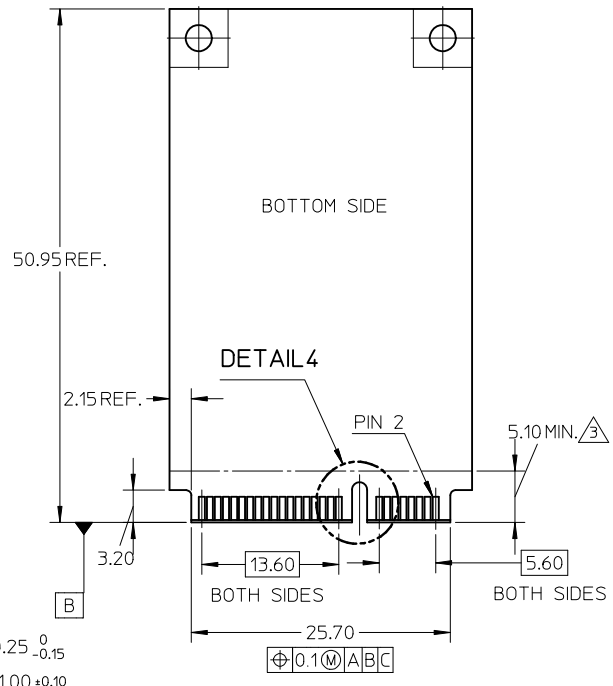
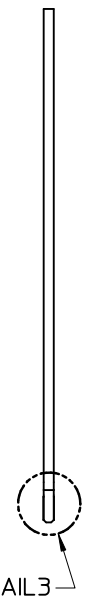
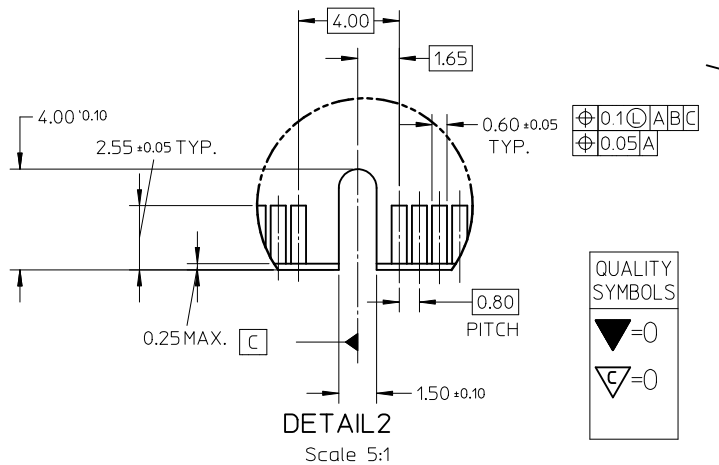
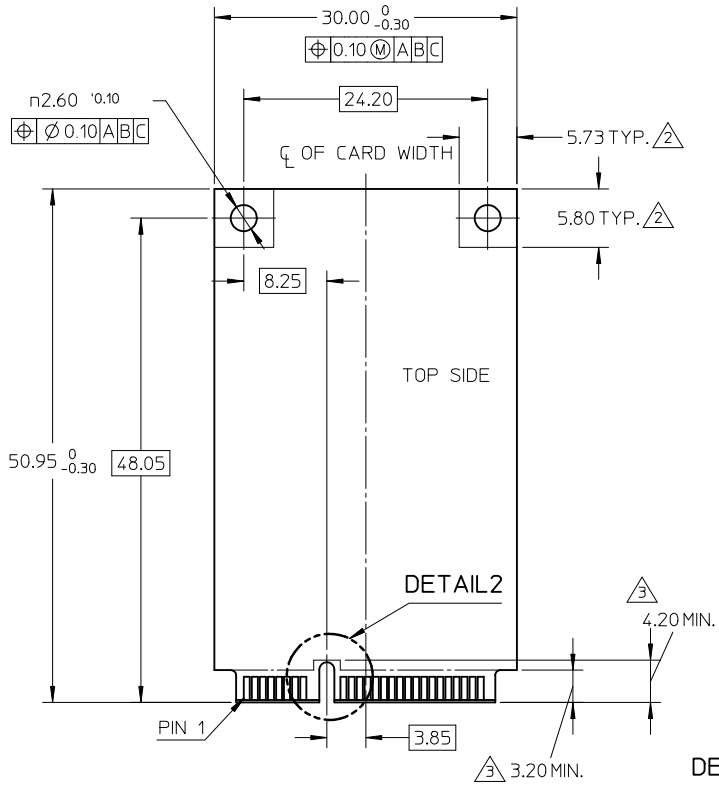


RECOMMENDED PCB LAYOUT

QUALITY SYMBOLS	
	=0
	=0

REVISED EC NO: S2010-0835 DRWN:WANG25 2010/04/05 CHKD:HARVEY 2005/11/10 APPR:NAGESHKN 2010/04/07	QUALITY SYMBOLS F <sub>A</sub> =0 F <sub>C</sub> =0 F <sub>P</sub> =0	GENERAL TOLERANCES (UNLESS SPECIFIED)		DIMENSION STYLE MM ONLY		SCALE NTS	DESIGN UNITS METRIC	THIRD ANGLE PROJECTION	
		mm	INCH	DRAWN BY DAVID HU	DATE 2005/11/10	TITLE LATCH FOR MINI PCI-E 4.0H 0.8MM PITCH 52 CIRCUIT WITH COVER LEAD-FREE	MOLEX INCORPORATED		
T	REV	DRAFT WHERE APPLICABLE MUST REMAIN WITHIN DIMENSIONS		MATERIAL NO. 480994000		DOCUMENT NO. SD-48099-400		SHEET NO. 2 OF 3	
		THIS DRAWING CONTAINS INFORMATION THAT IS PROPRIETARY TO MOLEX INCORPORATED AND SHOULD NOT BE USED WITHOUT WRITTEN PERMISSION							

NOTES:  
 1. PIN NUMBERING REFERENCE:  
 ODD PINS-TOP SIDE  
 EVEN PINS-BOTTOM SIDE  
 2. COMPONENT AND ROUTING(ALL LAYERS)  
 KEEP OUT AREA FOR HOLD DOWN SOLUTIONS  
 3. COMPONENT KEEP OUT AREA FOR CONNECTOR



REVISED	EC NO: S2010-0835	QUALITY SYMBOLS	GENERAL TOLERANCES (UNLESS SPECIFIED)		DIMENSION STYLE		SCALE	DESIGN UNITS	THIRD ANGLE PROJECTION	
	DRWN: CWANG25 2010/04/05	▽=0	mm	INCH	MM ONLY		NTS	METRIC		
	CHKD: HARVEY 2005/11/10	▽=0	4 PLACES ± --- ± ---		DRAWN BY	DATE	TITLE	LATCH FOR MINI PCI-E 4.0H 0.8MM PITCH 52 CIRCUIT WITH COVER LEAD-FREE		
	APPR: NAGESHKAN 2010/04/07	▽=0	3 PLACES ± --- ± ---		CHECKED BY	DATE				
		▽=0	2 PLACES ± 0.25 ± ---		APPROVED BY	DATE		MOLEX INCORPORATED		
		▽=0	1 PLACE ± 0.25 ± ---		NAGESHKAN	2010/04/07				
			ANGULAR ± 3 °		MATERIAL NO.		DOCUMENT NO.	SD-48099-400		
			DRAFT WHERE APPLICABLE MUST REMAIN WITHIN DIMENSIONS		480994000					
					SIZE	THIS DRAWING CONTAINS INFORMATION THAT IS PROPRIETARY TO MOLEX INCORPORATED AND SHOULD NOT BE USED WITHOUT WRITTEN PERMISSION			SHEET NO. 3 OF 3	
					A3					