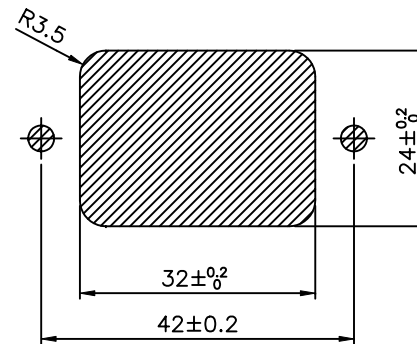
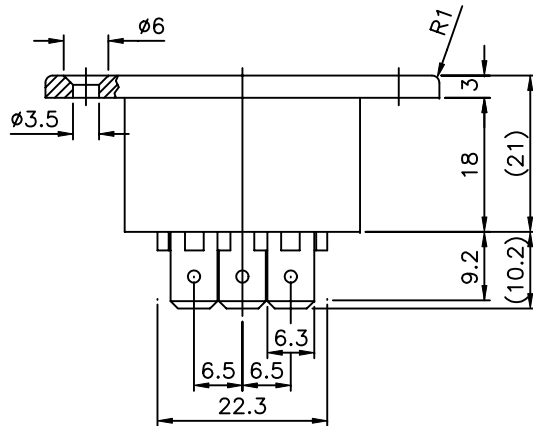
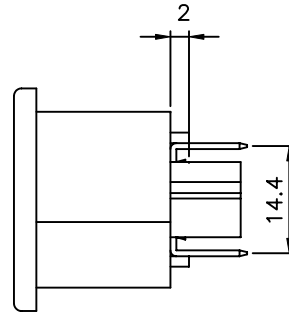
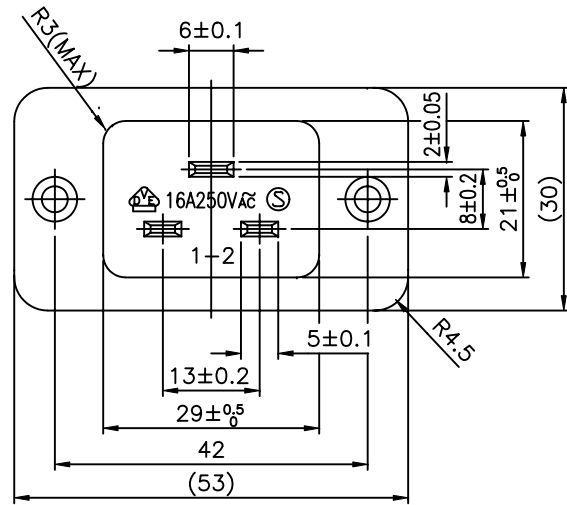


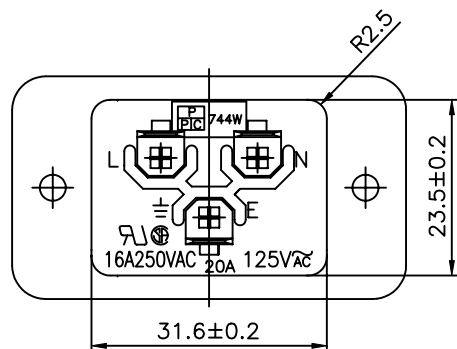
		Revision	
Rev.	Description	Date	Approved



PANEL CUTOUT

20A 250V/16A 250V AC  
UL, CSA,

16A 250V AC  
VDE



Dim range (mm)	+/- (mm)	Qualtek Electronics Corp. PPC DIVISION		
		Part Number: 744W-00/04		
0-1	0.15	Description: SCREW MOUNT C20 INLET		
1-6	0.20			
6-18	0.30			
18-50	0.50			
50-120	0.70			
120-250	0.90	Drawn/Date	Checked/Date	Approved/Date
250-500	1.20	B.ZHANG 02-26-03	02-26-03	JJH/02-26-03