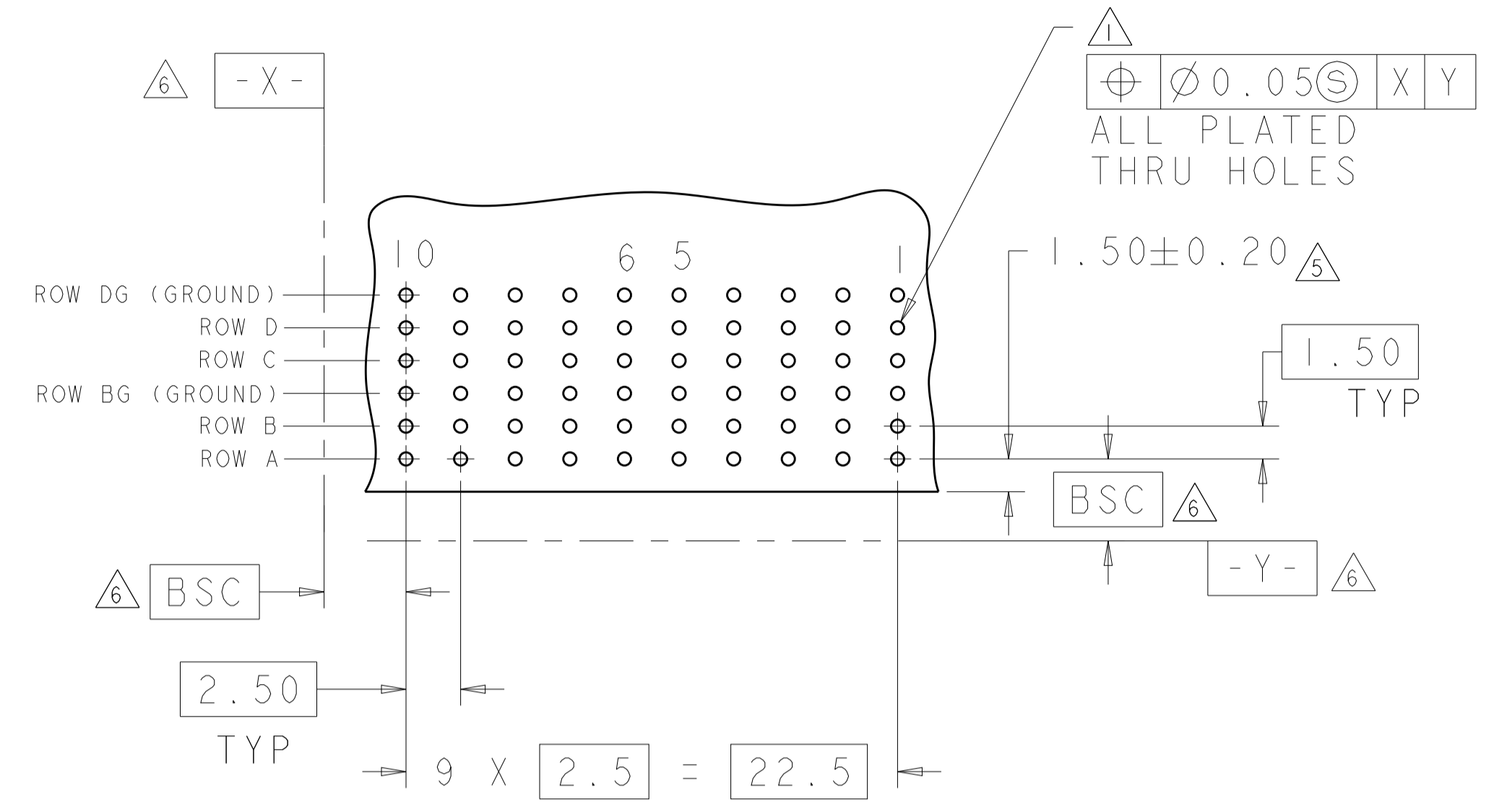
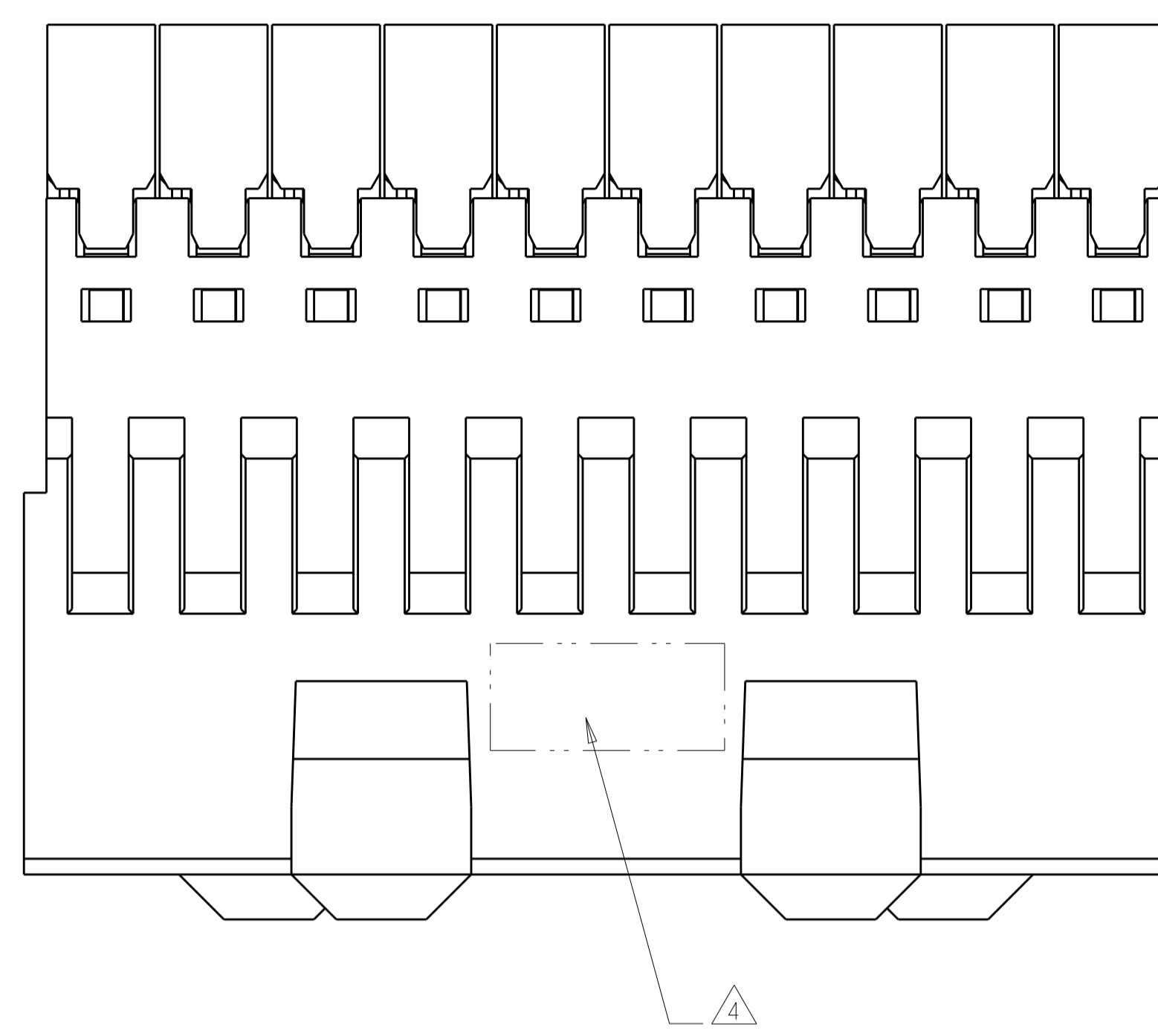
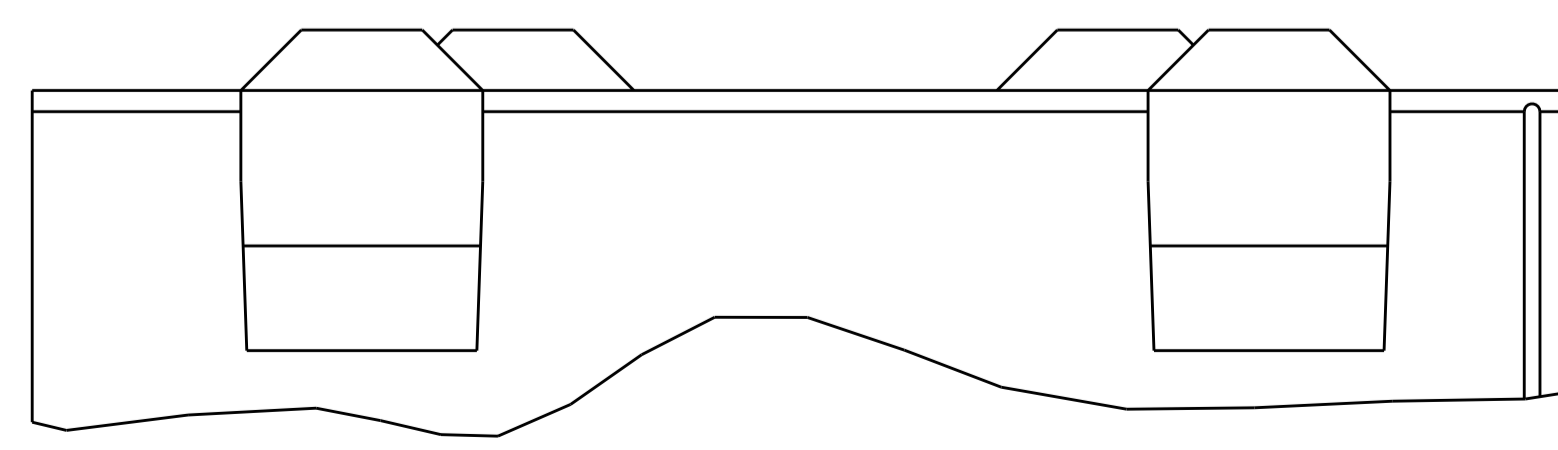
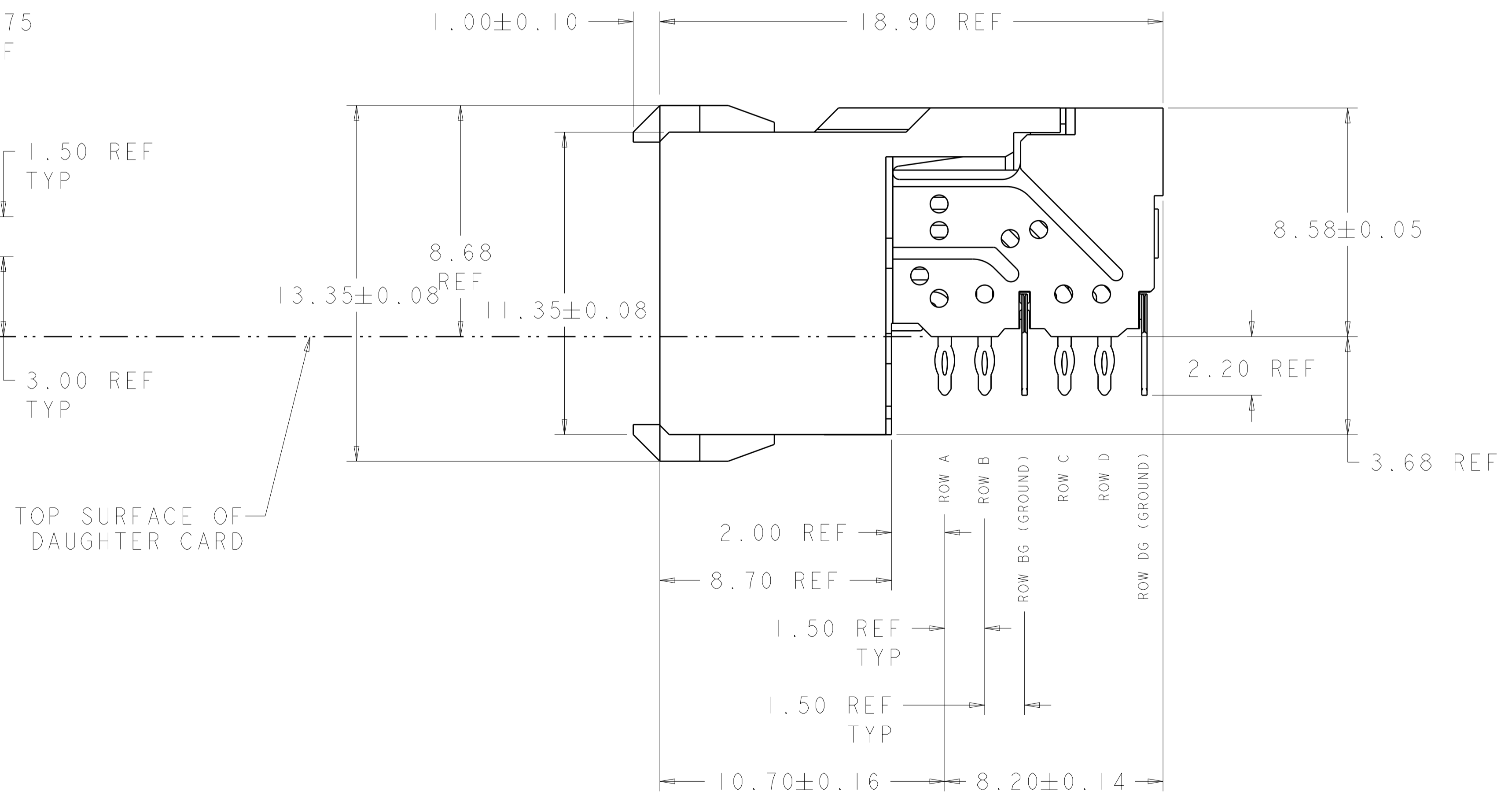
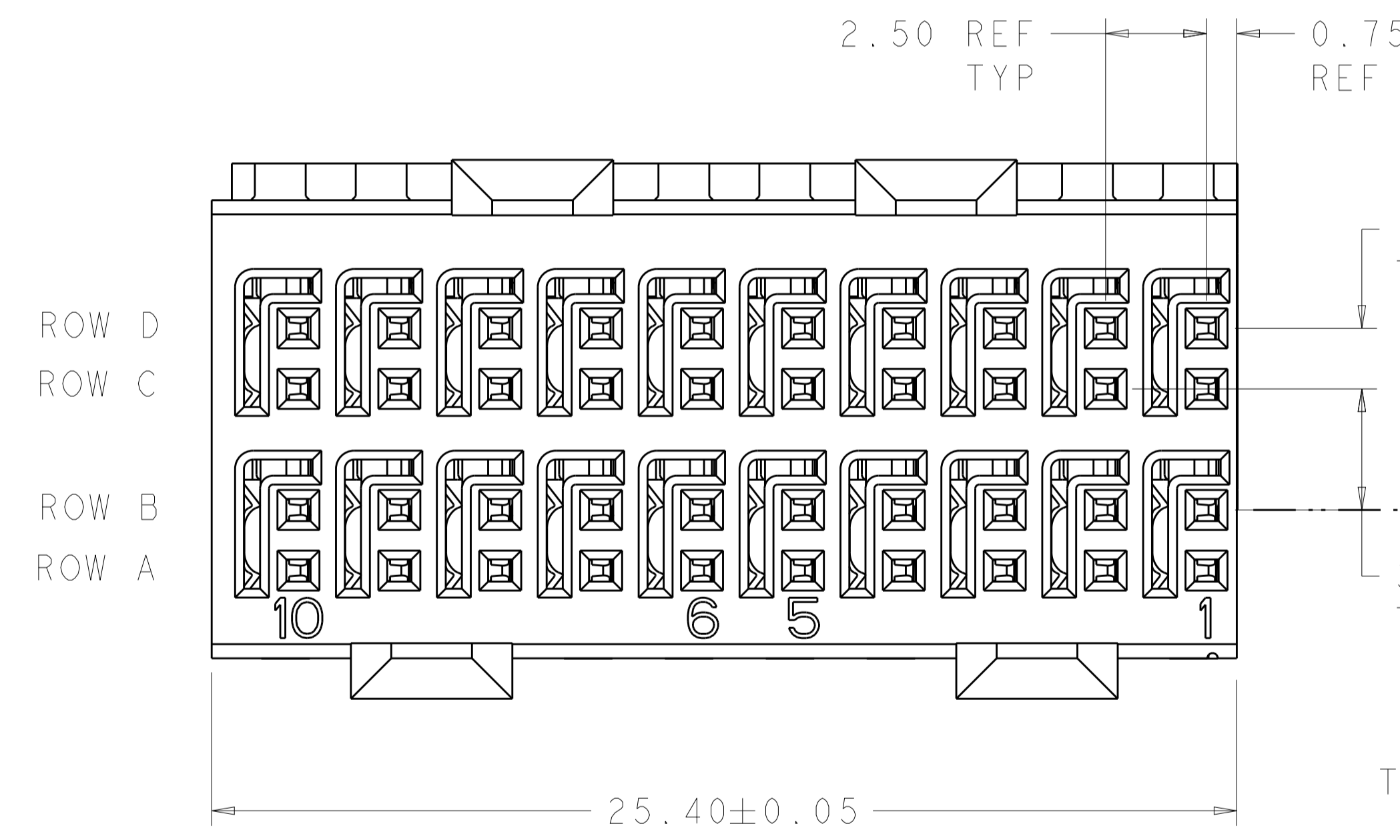


LOC		DIST		REVISIONS			
P	LTN	DESCRIPTION	DATE	DMN	APVD		
A		REV PER ECO-11-007577	13APR2011	RKC	JE		
B		REVISED PER ECO-16-008845	17SEP2016	AP	RP		



- △ REFERENCE APPLICATION SPEC 114-13059 FOR RECOMMENDED PLATED THRU HOLE DIAMETER AND PLATING THICKNESSES.
- △ MATERIAL:
SHIELD - PHOSPHOR BRONZE
CONTACT - COPPER-NICKEL-SILICON
HOUSING, CHICKLET AND CHICKLET COVER - GLASS FILLED POLYESTER
- △ FINISH: SIGNAL AND GROUND CONTACTS:
MATING AREA: MEETS THE PERFORMANCE REQUIREMENTS OF PRODUCT SPECIFICATION 108-2055; BASED ON TELCORDIA GR-1217-CORE, APPLICATIONS IN UNCONTROLLED ENVIRONMENTS
COMPLIANT PIN AREA: 0.5 μm MIN MATTE TIN OVER BASE PLATING
- △ CONNECTOR MARKED WITH PART NUMBER AND DATE CODE IN APPROXIMATE AREA SHOWN
- △ DIMENSION APPLIES TO CENTERLINE OF THRU HOLE.
- △ DATUMS AND BASIC DIMENSIONS ESTABLISHED BY CUSTOMER.
- 7. CONTACT AREA LUBRICATED WITH BELLCORE APPROVED LUBRICANT. TECHNICAL REFERENCE: GR-1217-CORE, ISSUE 1, NOVEMBER 1995.



6469632-1
PART NUMBER

THIS DRAWING IS A CONTROLLED DOCUMENT.		DMN S. J. MAGARO 04MAR2005	TE Connectivity
DIMENSIONS: mm		CHK R. A. PATTERSON 04MAR2005	
TOLERANCES UNLESS OTHERWISE SPECIFIED:		APVD	NAME
0 PLC	±	PRODUCT SPEC	RECEPTACLE ASSEMBLY, 2 PAIR, 25mm, HMZd
1 PLC	±	APPLICATION SPEC	
2 PLC	±	SIZE	A100779
3 PLC	±	CAGE CODE	6469632
4 PLC	±	DRAWING NO	
ANGLES	±	RESTRICTED TO	
MATERIAL		WEIGHT	
FINISH		CUSTOMER DRAWING	
		SCALE	8:1
		SHEET	1 OF 1
		REV	B