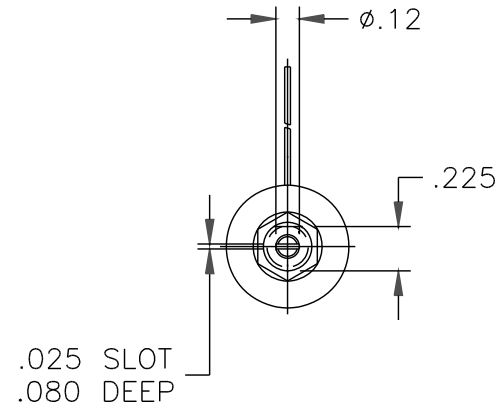
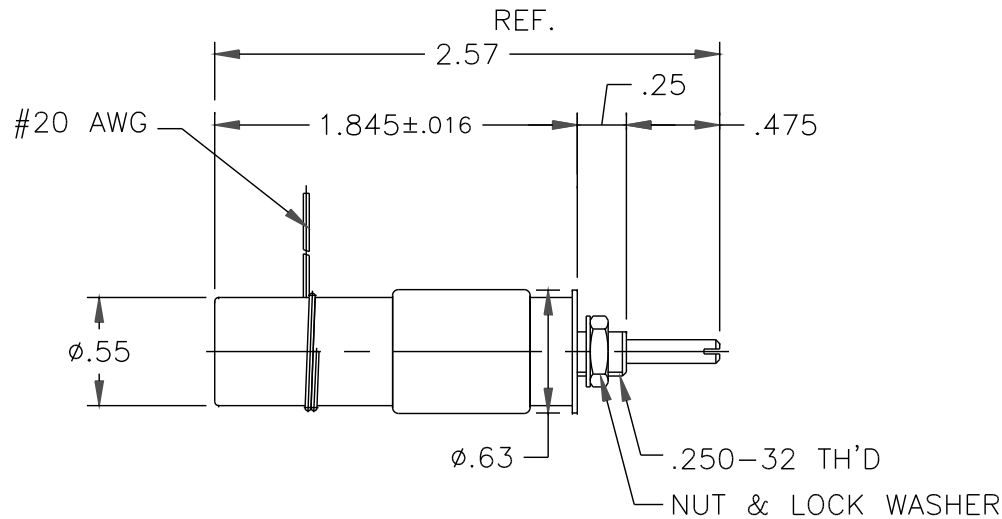


DATE	SYM	REVISION	RECORD	AUTH	DR	CK



NOTES:

1. CAPACITANCE RANGE, pF: 2.0 TO 10.0
2. WORKING VOLTAGE AT 10 pF: 6000 VDC
3. WITHSTANDING VOLTAGE AT 10 pF: 12000 VDC
4. Q FACTOR AT 25 MHz - 1800 MIN.
5. INSULATION RESISTANCE:  $10^6$  MEGOHMS AT 25°C
6. TUNING TORQUE: 0.5 TO 4.0 IN-OZ MAX
7. OPERATING TEMPERATURE: -55°C TO +125°C.

TOLERANCES (EXCEPT AS NOTED)	VOLTRONICS CORPORATION 100 FORD RD. DENVER N.J.		
DECIMAL XXX ±.005 XX ±.016	SCALE 1 : 1	DRAWN BY A.SHTABNAYA	
FRACTIONAL -	TITLE OUTLINE DWG. NMNT10-12E	APPROVED BY A.GOLDBERG	
ANGULAR -	DATE 8/18/09	DRAWING NUMBER 70,564	