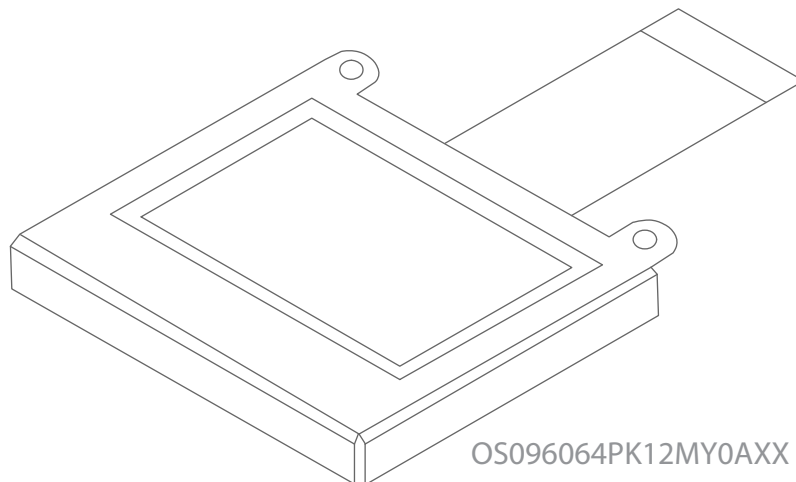


# OLED DISPLAY SOLUTIONS

## Pictiva™ 96x64 display

OLED



OS096064PK12MY0AXX

### Features:

- Graphics display matrix
- Single Color with 4-bit per pixel grayscale
- True emissive technology
- 160° viewing angle
- Passive matrix driven by an industry standard compatible IC
- Fast response, video frame rate capable
- High contrast
- Wide operating temperature range
- Thin profile

### Specifications:

Display Format	96 Columns x 64 Rows
Pixel Pitch	0.265 mm Square
Pixel Size	0.235 mm Square
Color	Yellow x=0.455, y=0.540
Grayscale	4-bit
Active Area	25.4 (W) x 16.9 mm (H)
Module Size	35.5(W) x 31.8 (H) x 3.82 mm (T)
Luminance	100 cd/m <sup>2</sup> typical
Lifetime	10,000 Hours @ 25°C
Viewing Angle	160°
Contrast Ratio	100:1 minimum
Temp Range	-30° to +70°C
Logic Voltage	2.4 - 3.5V
Supply Voltage	12 - 13V typical
Sleep Mode Power	0.05mW
Interface	Parallel/Serial
OLED Driver/w controller	0323
Packaging	COF (chip-on-flex)
Interconnect	ZIF (zero insertion force)
Weight	4.5g nom. (excluding bezel)

OSRAM Opto Semiconductors Inc.  
3870 North First Street, San Jose, CA 95134, USA  
Phone: +1.888.446.7726 ext.4310  
Web: [www.pictiva.com](http://www.pictiva.com)

