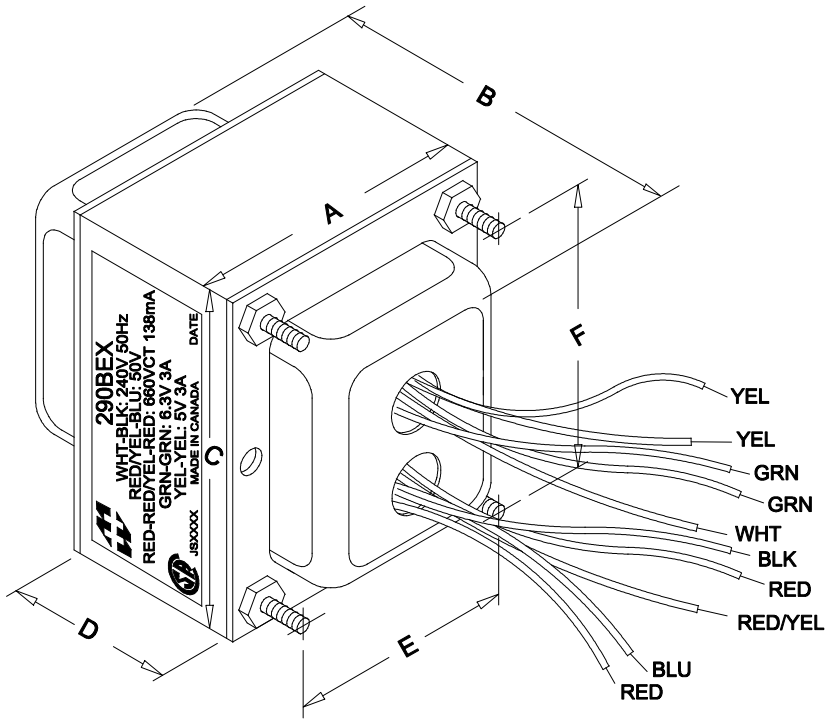
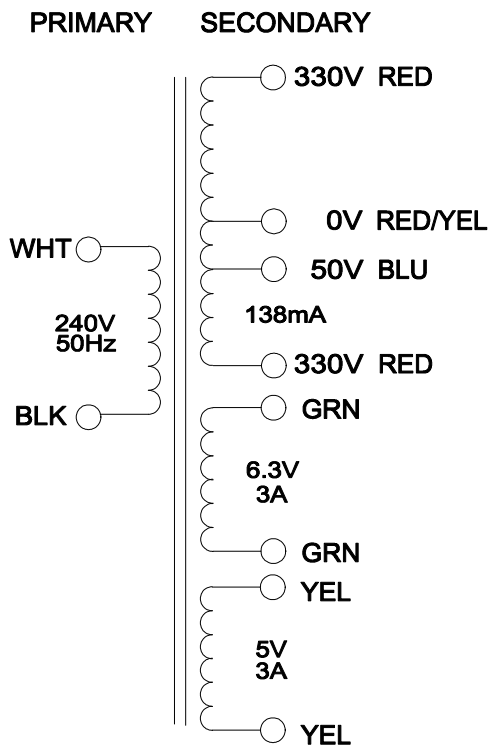


# 290BEX



NOTE: ALL LEADS 9" OUT MIN., STRIPPED .5"

DIMENSIONS:	
A	2.813" ± 0.063
B	4.063" ± 0.125
C	3.375" ± 0.063
D	2.048" ± 0.063
E	2.250" ± 0.063
F	2.813" ± 0.063



ELECTRICAL DATA:	
Turns ratio:	1 : 2.95 ( RED - RED)
Exciting Current	@ 240V, 50Hz, WHT - BLK = 165mA Max.
DCR	@ 20C, WHT - BLK = 11.941Ω ±20%
	@ 20C, RED - RED = 112.5 Ω ±20%
	@ 20C, GRN - GRN = 0.073 Ω ±20%
	@ 20C, YEL - YEL = 0.061 Ω ±20%
Pri. Voltage	240V 50Hz
Sec. Voltage (RMS)	660VCT @ 138mA C/W 50V TAP, 6.3V @ 3A / 5V @ 3A
No Load Voltage	701.89VCT / 6.79V / 5.43V

**HAMMOND ELECTRONICS**  
52 RANKIN PLACE,  
WATERLOO, ONTARIO, N2L 3Z5.  
PHONE (519) 886-6181  
FAX # (519) 886-9540

TITLE		290BEX	
1	08/11/09	PRELIMINARY	DR BY IOAN POP DATE 05/12/09
NO	DATE	REVISION	DIM IN(X)MM( )

290BEX