



**WATER COOLED HEAT EXCHANGER UNITS
FOR MEDICAL AND INDUSTRIAL SYSTEMS**

The WL2000 is a re-circulating liquid to air heat exchanger that offers dependable, compact performance by removing large amounts of heat from a liquid circuit. The coolant is re-circulated using a high pressure pump to assure maximum flow rate. Heat from coolant is absorbed by a radiant heat exchanger and dissipated into the ambient environment using brand name fan. This unit incorporates a pump filter to maintain peak performance throughout operation life of product. Manual adjustments can be made to control pressure and flow of liquid circuit. Customized features are available, however, MOQ applies.

FEATURES

- Compact design
- Reliable Operation
- Adjustable Flow Rate
- Bypass Valve Protection

APPLICATIONS

- Medical Imaging Systems
- Photonics Laser Systems
- X-Ray Scanning Systems
- Semiconductor Fabrication

Specifications	
Performance	
Cooling capacity ¹	2,000 Watts
Flow Rate	> 4.4 lpm @ 4 bar
Operation	
Coolant	Water or Water/Glycol
Operational temperature range ²	10°C to 40°C
Storage temperature range (w/o coolant)	-25°C to 70°C
Humidity range	20% to 80%
Input Voltage	230 VAC
Frequency	50 Hz
Current Draw	2.1 Amps
Noise	< 70 dB(A)
Flow switch open	4.0 lpm
Maximum forward pressure	6.7 bar
Physical	
Dimensions (H x W x D)	50.5 x 30.5 x 30.0 cm
Weight (w/o coolant)	26.5 kg
Coolant Capacity	2.5 L
Couplings	Walther Type MD 006

¹ Capacity rating is given at a temperature of 25°C (77°F) for the ambient air and water outlet temperature of 11°C.
² For ambient conditions outside this range, please contact Laird Technologies.

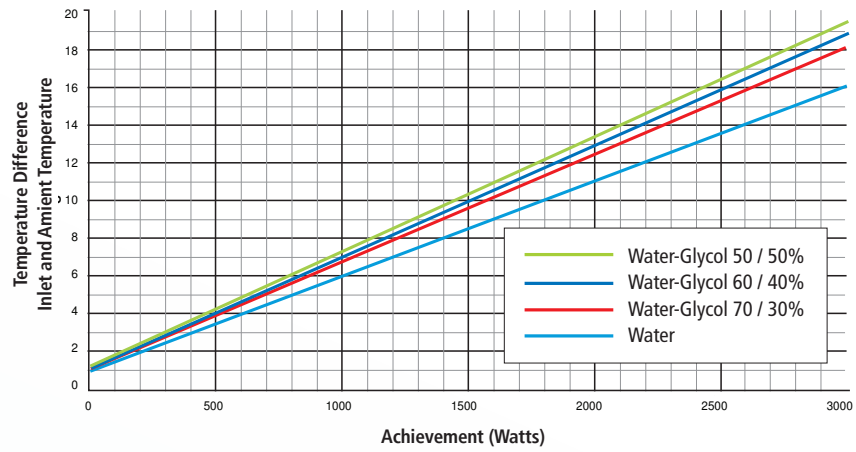
global solutions: local support™

Americas: +1.888.246.9050
 Europe: +46.31.704.67.57
 Asia: +86.755.2714.1166

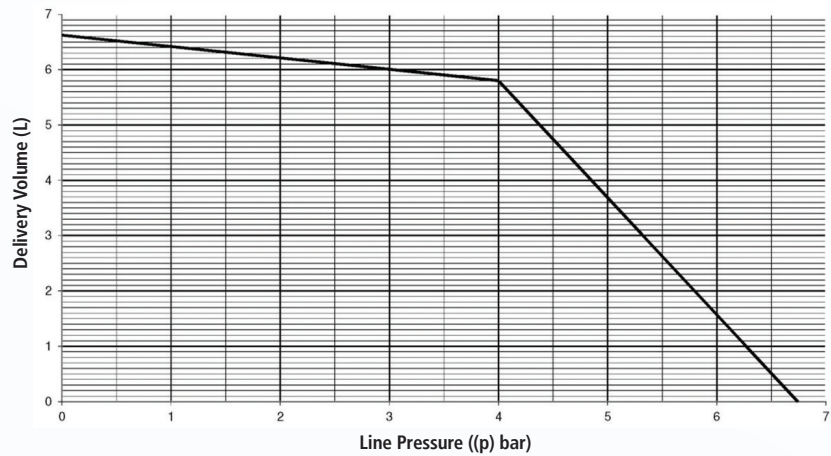
CLV-customerservice@lairdtech.com
www.lairdtech.com/thermal

PERFORMANCE CURVES

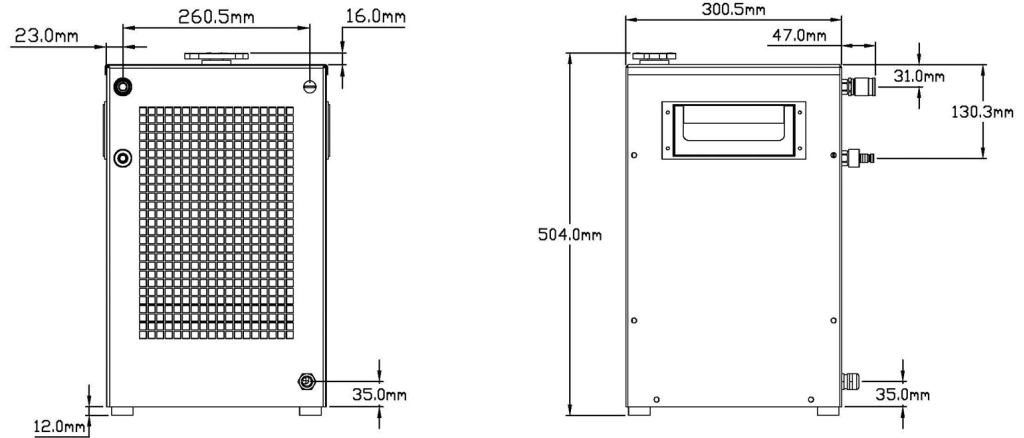
Thermal Capacity



Flow Rate



ISOMETRIC DRAWINGS



NOTES

1. Check coolant level regularly. For optimal cooling performance, coolant level should always be above radiator fins.
2. Hose selection should be of material and thickness to support pressure resistance and coolant type.
3. Manual adjustments can be made to control pressure and flow rate.
4. Check pump filter and dust on heat exchanger periodically for cleaning.

ORDERING INFORMATION

PART NUMBER EXAMPLE

